

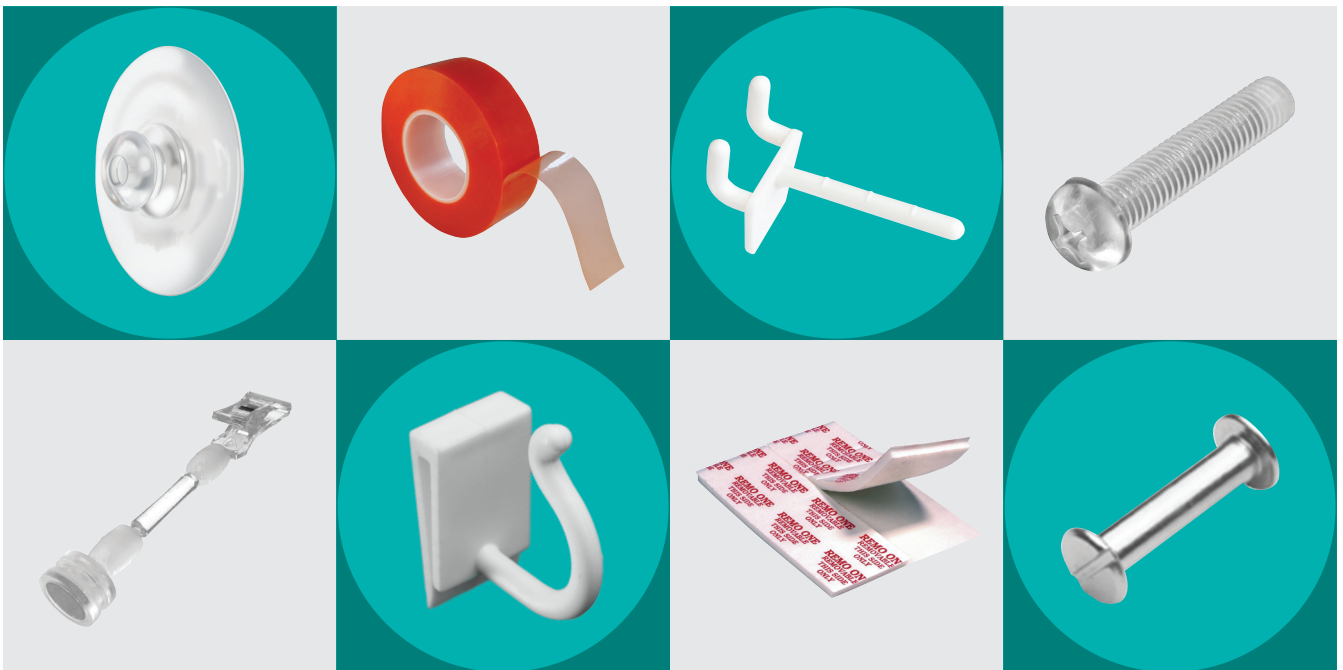


ESSENTRA

COMPONENTS



POINT OF SALE & DISPLAY SOLUTIONS



TEL. 0845 758 5070
www.essentracomponents.co.uk





ESSENTRA

Welcome to Essentra

Essentra believes that little things make the world go around. We are proud of what we do and want to show that even our smallest components play a big part.

Essentra is a leading international supplier of specialist plastic, fibre, foam and packaging products with four principal operating divisions: Component & Protection Solutions, Porous Technologies, Packaging & Securing Solutions and Filter Products.

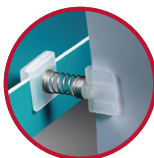
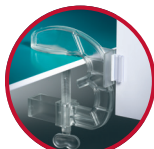
Every day we produce and distribute millions of small but essential components. Our products may not be noticeable – or even recognisable – but wherever you are, our business is all around you.

Our international network extends to 29 countries and includes 42 principal manufacturing facilities, 64 sales and distribution operations and 5 research & development centres.

Introducing 600 new Point of Sale & Display Solutions

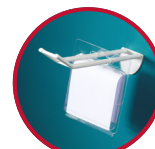
POS Graphics & Print Displays

Suction Cups	2-3
Ceiling Clips & Magnetic Hooks	4-6
Metal Hanging Hooks	7-8
Poster Hanging Components	9
Wobblers	10-11
Panel Formers	12-13
Display Grips & Holders	14-15
Display Rings, Hooks & Clips	16-18
Sign & Ticket Fixings	19-23
Price Channels & Shelf Talkers	24-25
Brochure & Leaflet Holders	26-27



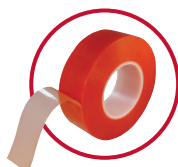
POS Display Components

Nuts, Screws & Washers	28-32
Fasteners, Clips, Rivets & Fixings	33-38
Book & Binder Screws	38-39
Joint Connector Nuts & Bolts	40-41
Shelf Supports	42
Castors	43-47
Tube Inserts	48
Threaded Inserts	49
Adjustable Feet & Glides	50-51
Display Locks	52-56
Magnets & Hinges	58-59



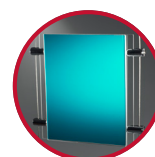
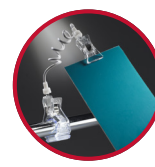
Adhesive Tapes & Pads

Twin Stick™ (Double Sided Foam Pads)	62
Remo One™ (Perm Peel Foam Pads)	63
Remo Two™ (Removable Foam Pads)	64
Dimensional Tapes	65
Velcro®	66
Hook & Loop	67
DK Film™ & Dubl Kote™	68
High Bond Tapes	69
Banner Tapes	70
Magnetic & Steel Tapes	72
CD Fixers & Anti-Skid Discs	73
Stick on Feet	74
Moss Glue Dots & Sealing Discs	75
Adhesive Hang Tabs	75



Merchandising

Plastic Handles	76
Flag Tubes & Accessories	76-77
POP Clips	78-85
Merchandising Hooks	86-89
Ticket Fixings	90
Hanging Strips	91
Sign Stand Offs	92-95
Cable Display Systems	96-97



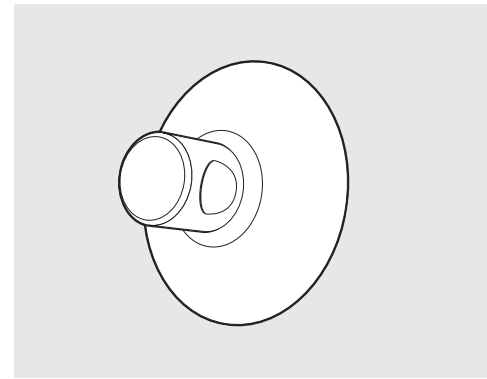
www.essentracomponents.co.uk

Conditions of sale can be found on our website - www.essentracomponents.co.uk



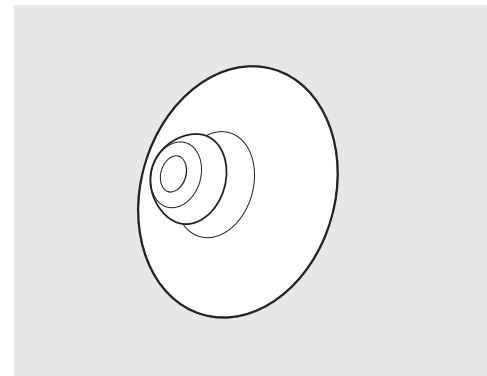
**Suction Pads with Hole
PVC**

Diameter (mm)	Colour	Hole Dia. (mm)	Part Number
22	Clear	2.8	464781
25	Clear	3.5	464784
30	Clear	4.7	464785
35	Clear	4.7	464788
40	Clear	5.0	464791
40	White	5.0	496738
40	Black	5.0	496739
45	Clear	5.0	464796
50	Clear	5.4	464799
55	Clear	6.5	464802



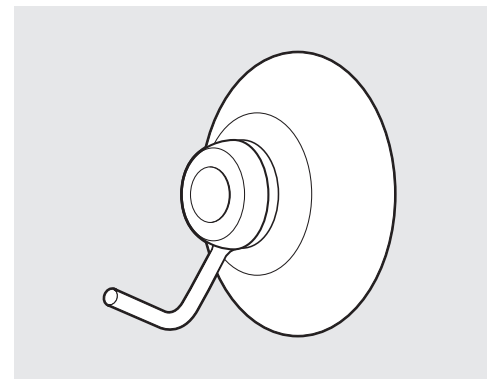
**Suction Pads with Groove
PVC**

Diameter (mm)	Black	White	Clear
19	496749	496740	464780
22	496750	496741	464782
30	496751	496742	464786
35	496752	496743	464789
40	496753	496744	464792
45	496754	496745	464797
50	496755	496746	464800
55	496756	496747	464803
63	496757	496748	464805
73	-	496760	497400



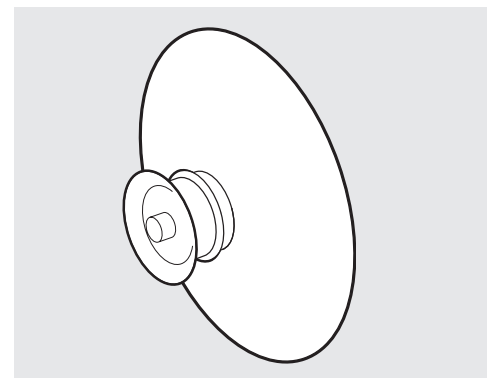
**Suction Pads with Metal Hook
PVC**

Diameter (mm)	Colour	Part Number
22	Clear	464783
30	Clear	464787
35	Clear	464790
40	Clear	464793
40	White	496758
40	Black	496759
45	Clear	464798
50	Clear	464801
55	Clear	464804
63	Clear	464806



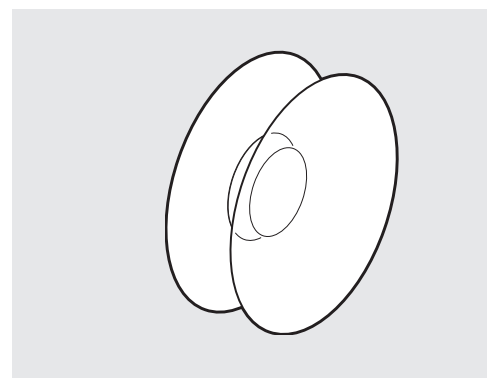
**Suction Pads with Thumb Tack
Clear PVC**

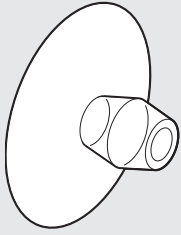
Diameter (mm)	Part Number
22	497389
35	497390
42	464795



**Double Sided Suction Pads
Clear PVC**

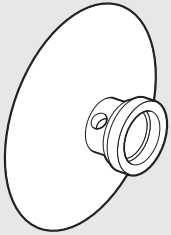
Diameter (mm)	Part Number
20	464807
30	464808





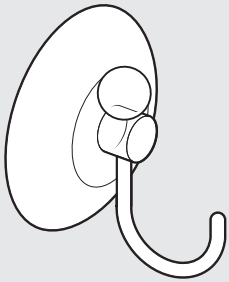
Pushfit Suction Pads Clear PVC

Diameter (mm)	Part Number
25	51519



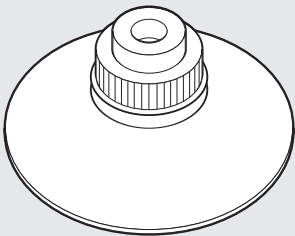
Suction Pads with Lip Clear PVC

Diameter (mm)	Part Number
46	10153



Suction Pads with Plastic Hook Clear PVC

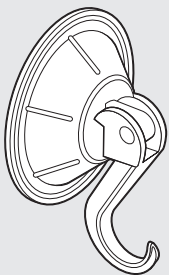
Diameter (mm)	Part Number
30	492730
35	492731
40	492732
50	492733



Suction Pads with Thread Clear PVC

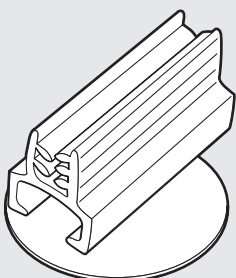
- Suction Pad with thread that will hold print securely in place
- Thread Size - M4

Diameter (mm)	Part Number
40	497235



Power Suction Pads White PP with PVC Attachment

Diameter (mm)	Part Number
45	492734
55	492735
73	497401



Suction Pads with Sign Holder Clear PVC

- Suction Cup fixing for easy repositioning
- Type 1 with flat sign fixing
- Type 2 with horizontal sign fixing

Diameter (mm)	Type	Part Number
25.0	1	496763
25.0	2	496764

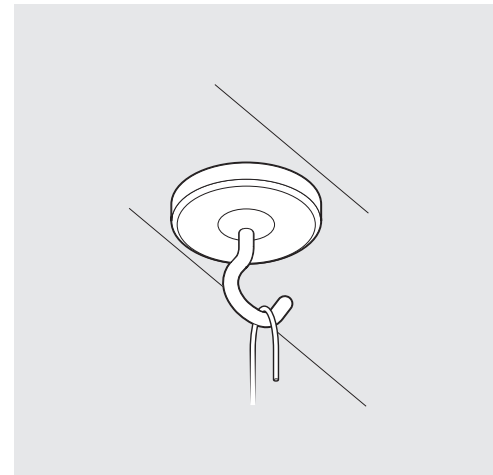




Neo Pot Magnets

- Small diameter, strong hold.
- At 23mm this is perfect for strong attachment to ceiling rails

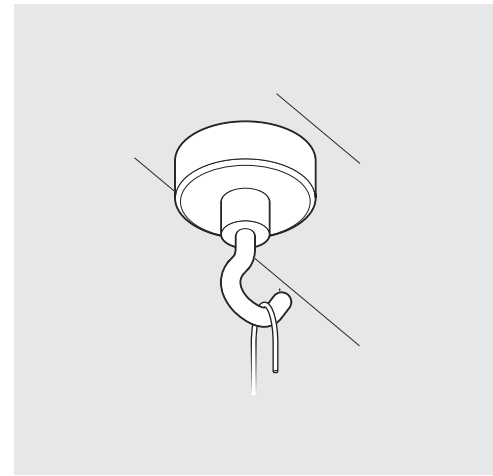
Diameter (mm)	Holding Force	Part Number
23	9kg	493180



Ferrite Pot Magnets

- Strong magnetic attachment

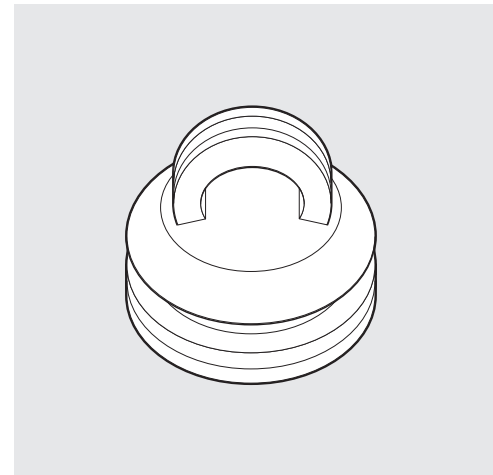
Diameter (mm)	Holding Force	Part Number
25	4kg	493181
32	8kg	493182
40	12kg	493183
50	22kg	493184



Magnetic Ceiling Hooks

- Strong magnetic attachment
- Clear casing

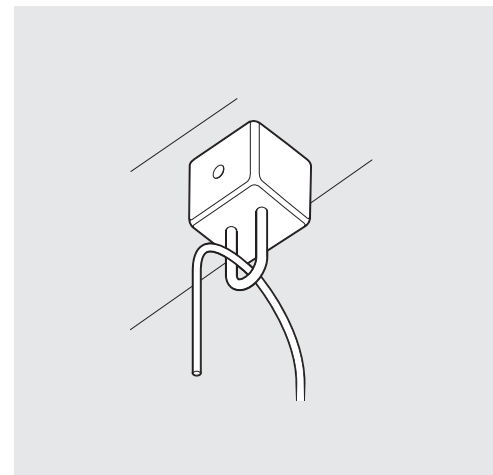
Diameter (mm)	Holding Force	Part Number
15.8	0.5-0.8kg	496848

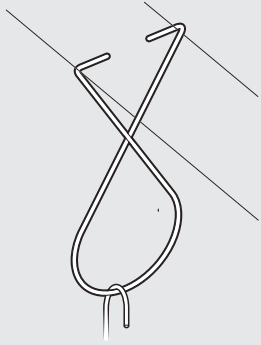


Square Magnetic Hooks White Polypropylene with Magnet

- Strong magnetic attachment

Diameter (mm)	Part Number
14 x 14	464713

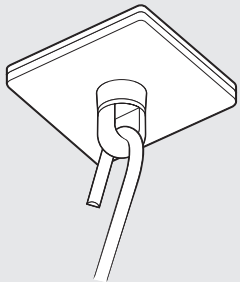




Pincer Grips for Ceiling Rail Galvanised Steel

- Simple, strong & easily removable attachment that provides a closed loop to hang print from

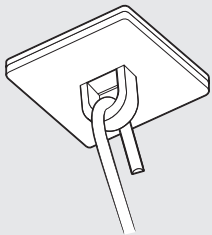
Length (mm)	Part Number
65	492773



Rotating Ceiling Clips White Polypropylene

- Strong self-adhesive backing attaches to most clean surfaces.

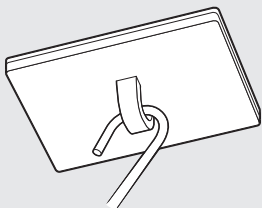
Size (mm)	Part Number
30 x 30	492810



Ceiling Clips – Type 1 White Polypropylene

- Strong self-adhesive backing attaches to most clean surfaces.

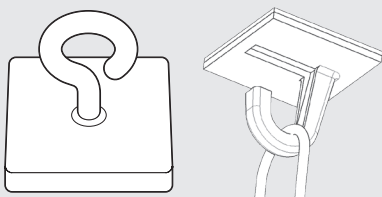
Size (mm)	Part Number
20 x 20	464704



Ceiling Clips – Type 2 White Polypropylene

- Strong self-adhesive backing attaches to most clean surfaces.

Size (mm)	Part Number
37 x 27	464705



Ceiling Clips – Type 3 Open Hook Polypropylene

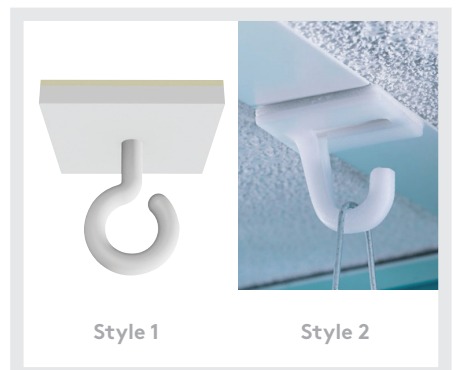
- Square Ceiling Clip with an open hook
- Suitable for hanging print & displays
- Can be used with Metal Hanging Hooks
- Strong permanent adhesive will attach to most clean surfaces

Style 1

Size (mm)	Part Number
23 x 23	496982

Style 2

Size (mm)	Part Number
25 x 25	464706



Style 1

Style 2

Style 1

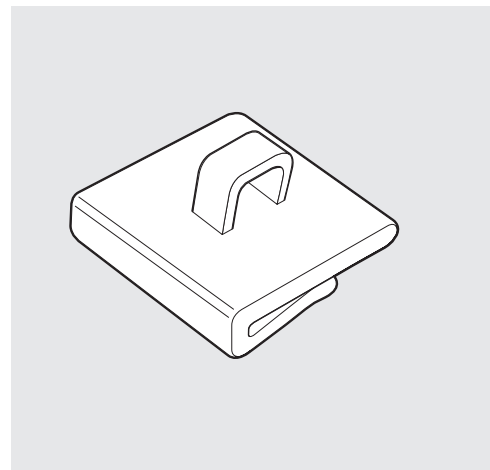
Style 2



Ceiling Clips – Type 4
White Polypropylene

- Clip on Design
- Suitable for hanging print & displays
- Can be used with Metal Hanging Hooks

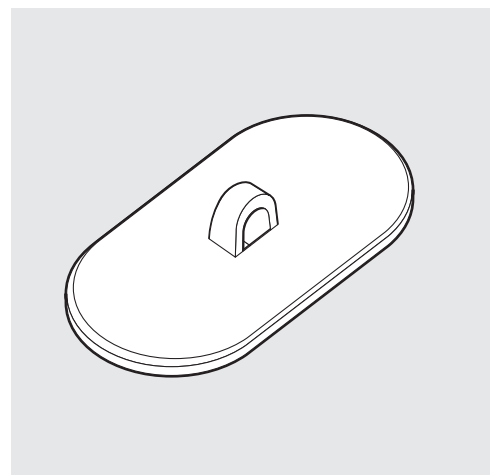
Size (mm)	Part Number
25 x 15	464707
19.5 x 11.5	496845



Oval Adhesive Ceiling Clips
Polystyrene

- Oval Clip with a small closed hook
- Strong permanent adhesive will attach to most clean surfaces

Size (mm)	Part Number
40 x 20	496981

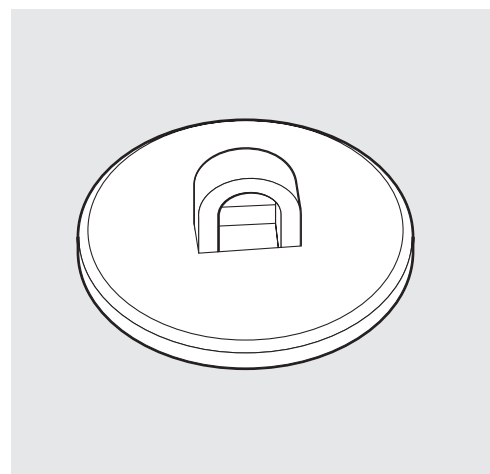


Round Ceiling Clips
Polycarbonate

- Self adhesive backing that will attach to most clean surfaces
- Available in Removable or Permanent

Dimension (mm)	Strength	Part Number
4	Removable	496849
7	Removable	496850
4	Permanent	497236
7	Permanent	497237
6.2	Permanent	496980*

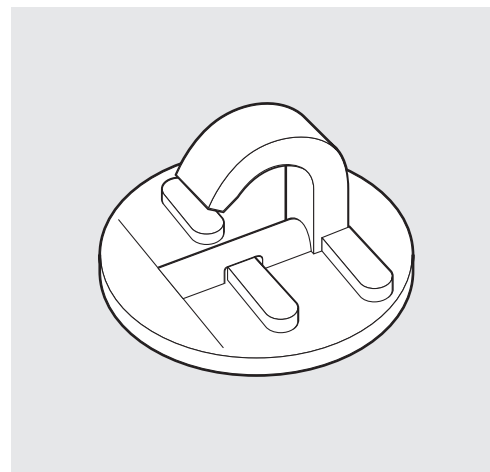
*Material Polystyrene

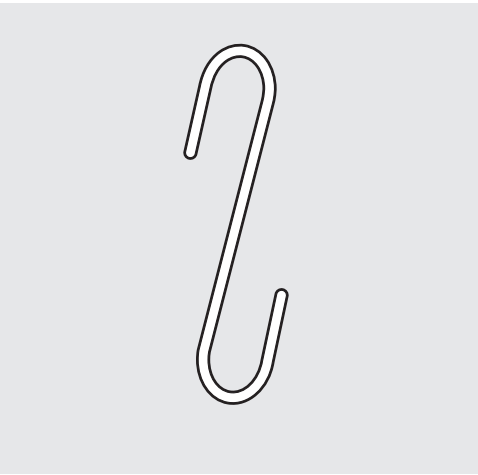


Open Hook Adhesive Ceiling Clips
Polypropylene

- Self adhesive permanent backing that will attach to most clean surfaces

Size (mm)	Part Number
19.5	496865

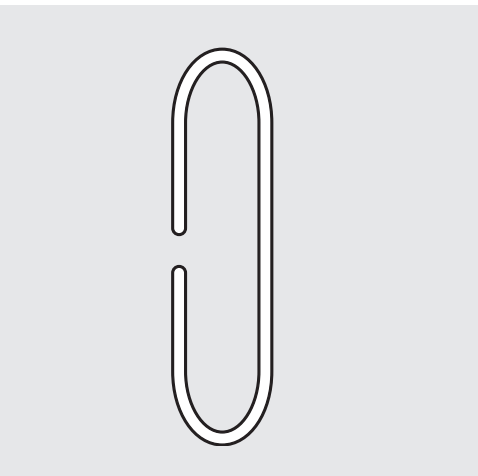
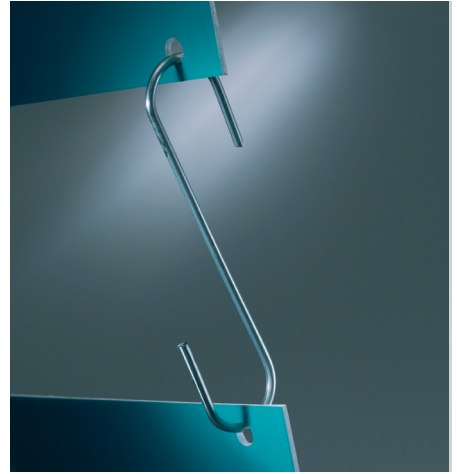




Metal Hanging Hooks – Type 1 Galvanised Steel

- For use with ceiling clips & magnetic hooks

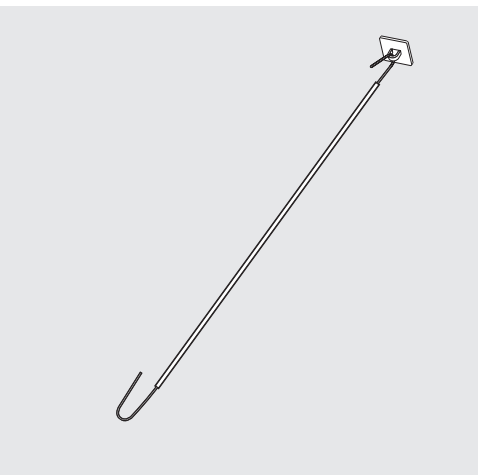
Length (mm)	Part Number
40	464832
80	464833



Metal Hanging Hooks – Type 2 Galvanised Steel

- For use with ceiling clips & magnetic hooks

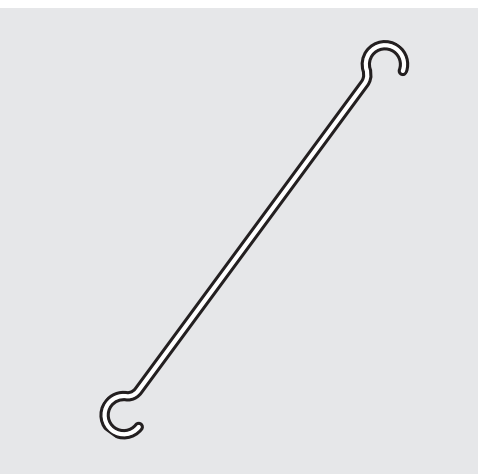
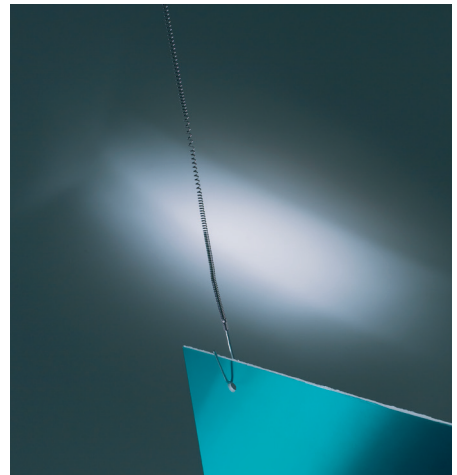
Length (mm)	Part Number
36	464834
77	464835



Metal Hanging Hooks – Type 3 Galvanised Steel

- For use with ceiling clips & magnetic hooks
- Extendable wire allows posters to be hung at custom heights

Length (mm)	Part Number
160 - 1300	464836
210 - 1400	464837
320 - 2500	464838



Metal Hanging Hooks – Type 4 Galvanised Steel

- For use with ceiling clips & magnetic hooks

Length (mm)	Part Number
100	464839
150	464840
200	464841
250	464842
300	464843
400	464844
500	464845
600	464846
700	464847
800	464848
900	464849
1000	464850

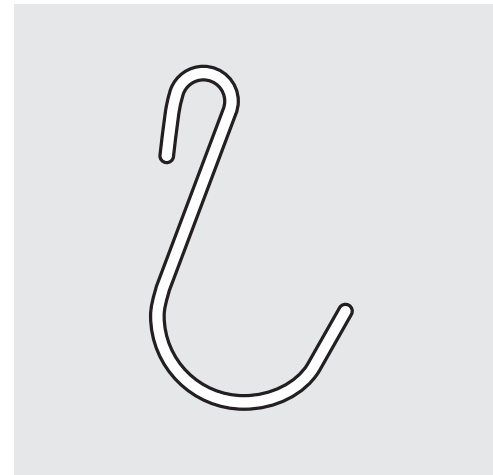




**Metal Hanging Hooks – Type 5
Galvanised Steel**

- For use with ceiling clips, magnetic hooks & hang strips

Length (mm)	Part Number
38	464851
48	464852

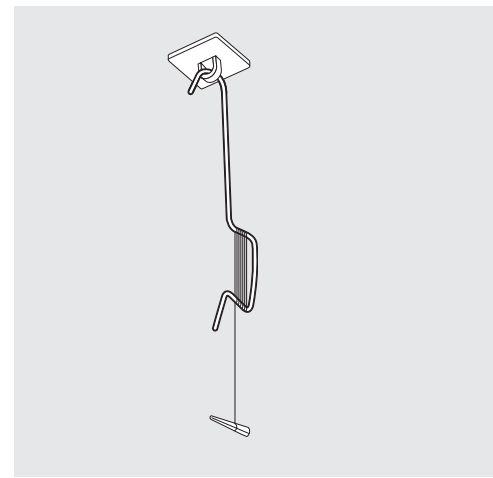


Wire Hanging Hooks

Wire: Natural Nylon, Hook: Galvanised Steel

- Hook with nylon wire, extendable up to 1200mm

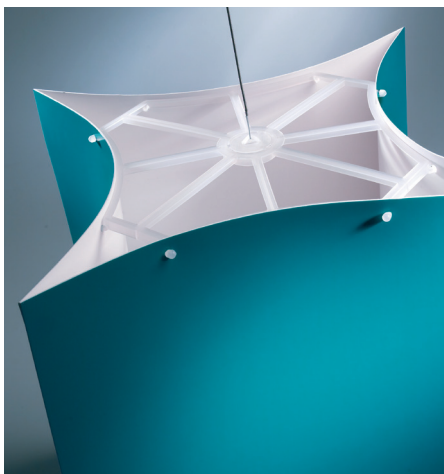
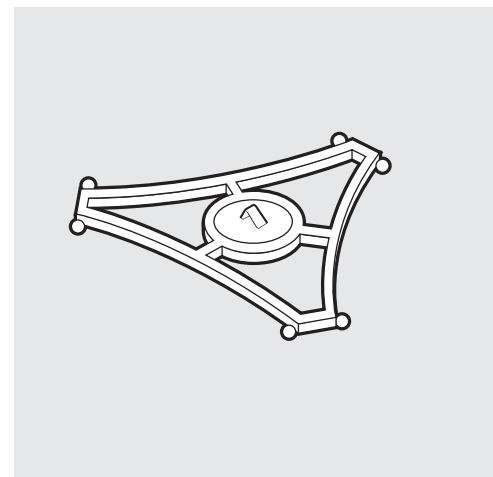
Length (mm)	Part Number
125	464821



**Mobile Display Systems – Type 1
Natural Polypropylene**

- Constructs a 3D display that can be hung from the ceiling
- Hole diameter 5mm

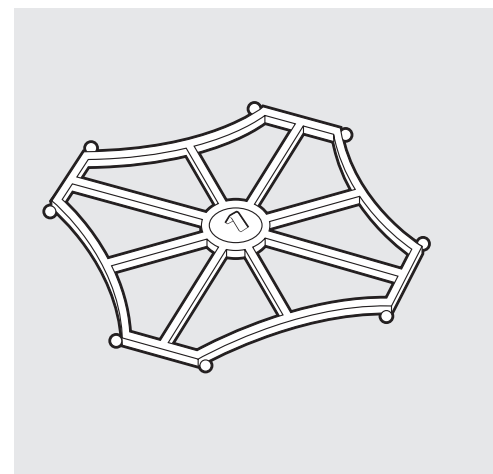
Distance Between Holes (mm)	Poster Width (mm)	Part Number
160	240 - 400	464767
317	400 - 750	464768

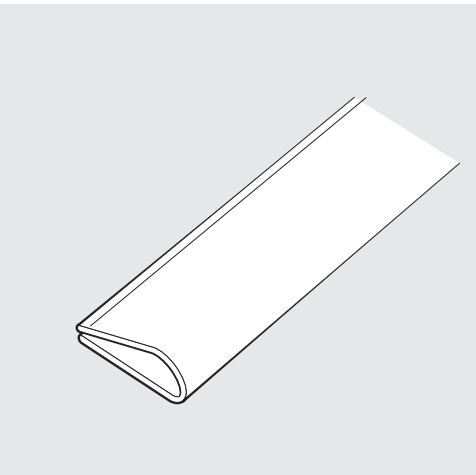


**Mobile Display Systems – Type 2
Natural Polypropylene**

- Constructs a 3D display that can be hung from the ceiling
- Hole diameter 5mm

Between Holes (mm)	Poster Width (mm)	Part Number
160	240 - 400	464769



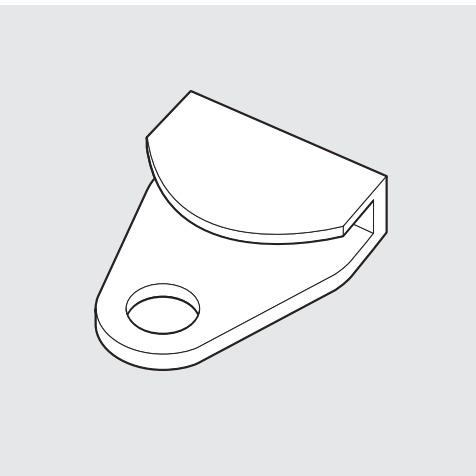
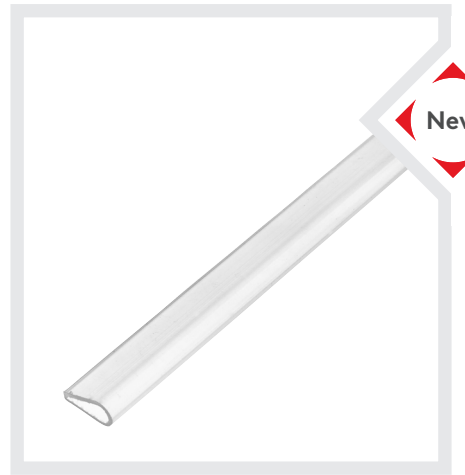


Poster Edging Strips

PVC Extrusion

- Can be used with Poster Edge Hooks, Metal Hanging Hooks & Ceiling Clips to hang displays

Size (mm)	Colour	Part Number
1000 x 15.5	Clear	496915
1000 x 15.5	White	496916
1000 x 15.5	Black	496917
1000 x 15.5	Grey	496918

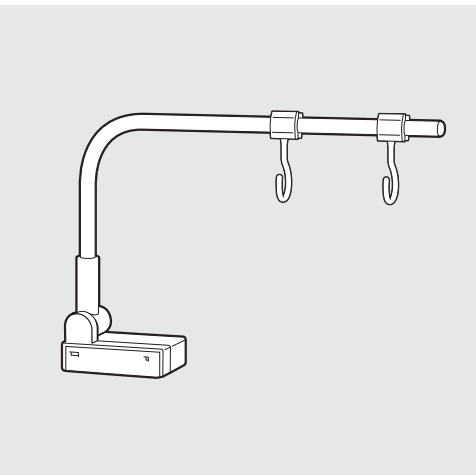


Poster Clips

Polypropylene

- To be used with poster edging

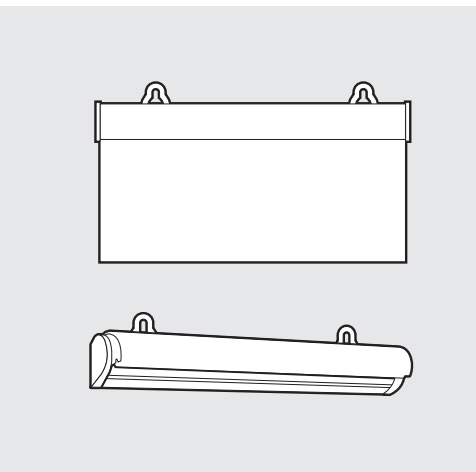
Size (mm)	Panel Thickness (mm)	Part Number
20 x 25	4.3	497392



Banner Hangers

- Attaches to metal shelving with a strong magnet.
- Hangs banners of A4 portrait width
- Hooks can be moved along the hanger to fit printed material

Part Number
492779



Poster Holders

Aluminium

- One part consists of top & bottom
- Top part has two moveable hooks
- Bottom part provides weight to keep posters hanging straight

To Suit Size	Part Number
A4	464738
A3	464739
A2	464740
A1	464741

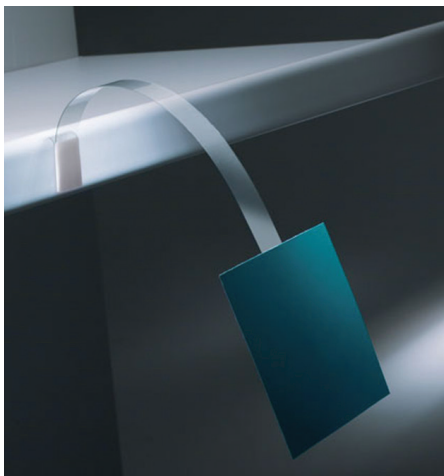
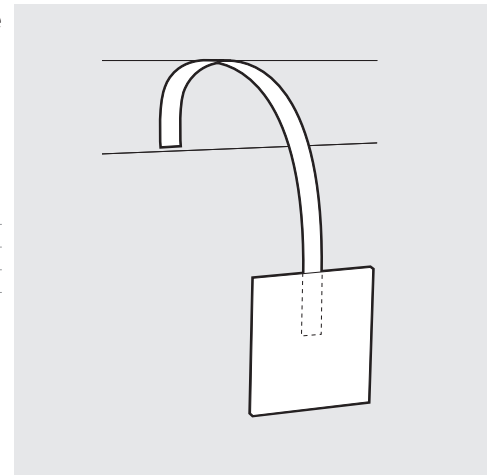




Transparent Wobblers – Film Adhesive
Transparent PET

- Peel off self-adhesive tabs at each end for attaching horizontal promotional material
- Permanent

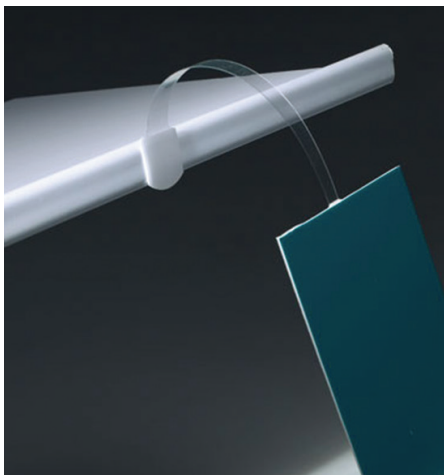
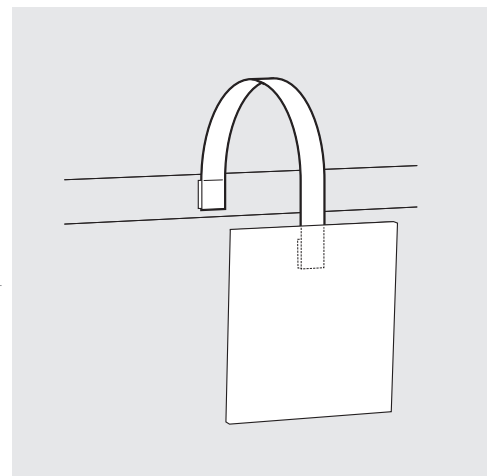
Length (mm)	Width (mm)	Adhesive Type	Part Number
140	10	Permanent	497097
140	20	Permanent	497099
150	15	Permanent	492908
200	15	Permanent	492910



Transparent Wobblers – Foam Adhesive
Transparent PET

- Peel off self-adhesive foam tabs at each end for attaching horizontal promotional material
- The foam pads provide greater adhesion to uneven or rough surfaces
- Width 15mm

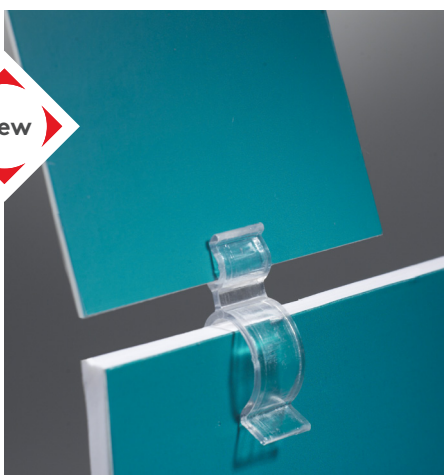
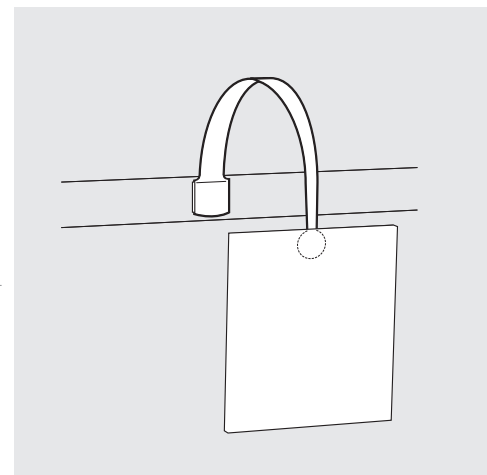
Length (mm)	Adhesive Type	Part Number
150	Permanent	492909



Tapered Wobblers
Transparent PET

- Peel off self-adhesive foam tabs at each end for attaching horizontal promotional material
- The tapered design provides an even bend in the wobbler for a higher quality display finish
- Width 15mm

Length (mm)	Adhesive Type	Part Number
203	Permanent	492907



Clip Sign Holders
Polystyrene

- Attaches to displays & holds print in place
- Big Clip & Small Clip
- Holds card from 5-8mm thick

Size (mm)	Part Number
39.4 x 11.5	496842



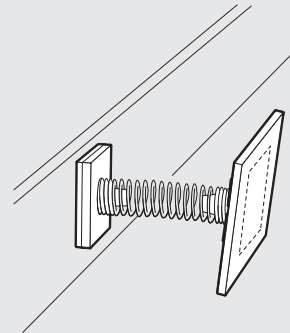


Aluminium Twist Wobblers

Aluminium

- Peel off self-adhesive foam tabs at each end for attaching promotional material to shelf edge
- Width 20mm

Length (mm)	Part Number
75	464723
150	464724

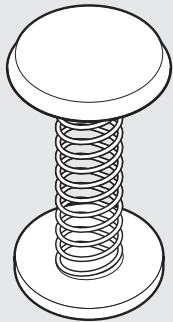


Spring Wobblers

Natural PP with metal spring

- Peel off self-adhesive tabs at each end for attaching promotional material to shelf edge
- Width 20mm

Length (mm)	Part Number
32	464725

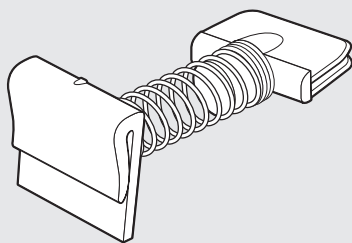


Round Spring Wobblers

Polystyrene & Steel Spring

- Adhesive pads at each end for attaching promotional material to shelf edge

Height (mm)	Diameter (mm)	Part Number
30	20	496983

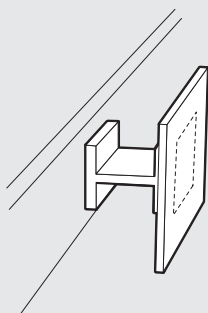
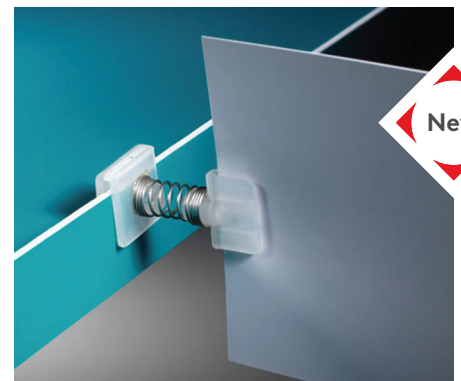


Wobbler Clips

Polypropylene & Steel Spring

- Clips on to a shelf edge & holds print

Height (mm)	Dimension (mm)	Part Number
38	20	496847



Fixed Spacers

Natural PP

- Self-adhesive pad on both sides
- Width 14mm

Height (mm)	Part Number
26	464726

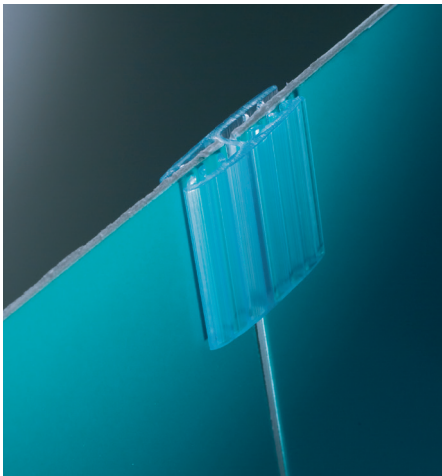
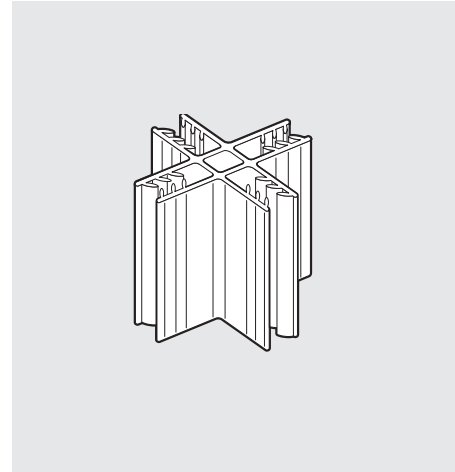




Four-way Panel Formers

- Accepts material up to 2.5mm thick

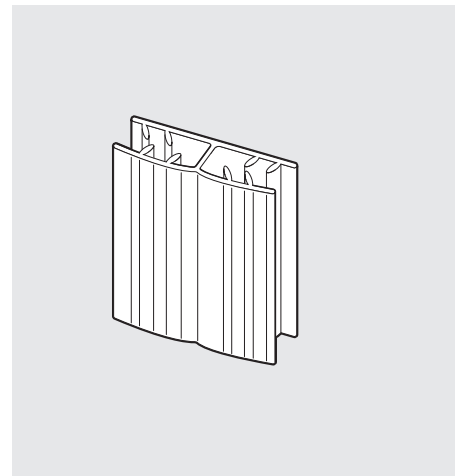
Length (mm)	Part Number
25	469111



180° Panel Formers

- Accepts material up to 2.5mm thick

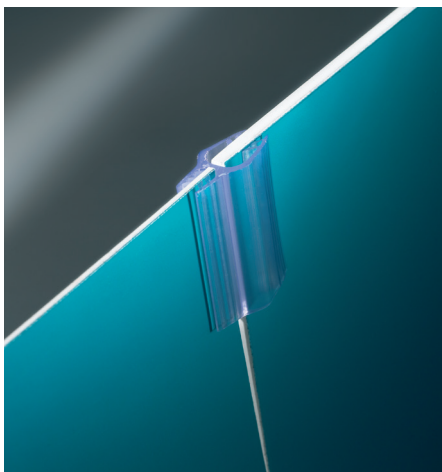
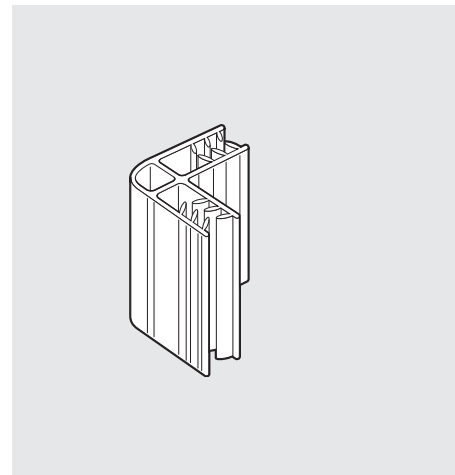
Length (mm)	Part Number
25	469114



90° Panel Formers

- Accepts material up to 2.5mm thick

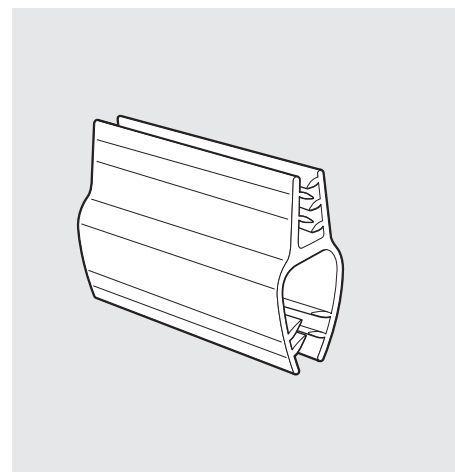
Length (mm)	Part Number
25	497211

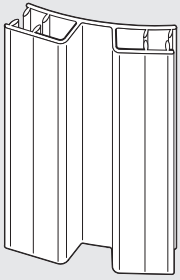


Corrugated Edge Sign Fixings

- Attaches to corrugated thickness up to 5mm
- Accepts material up to 2.5mm thick

Length (mm)	Part Number
38	492767

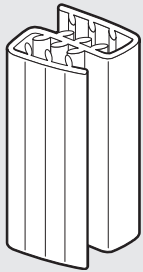
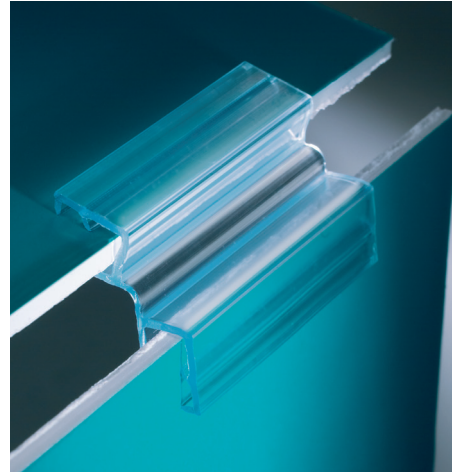




Hinged Panel Formers

- Accepts material up to 4mm thick

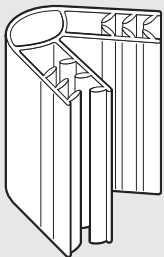
Length (mm)	Part Number
50	469142



S-panel Formers

- Accepts material up to 2.5mm thick

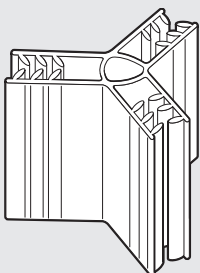
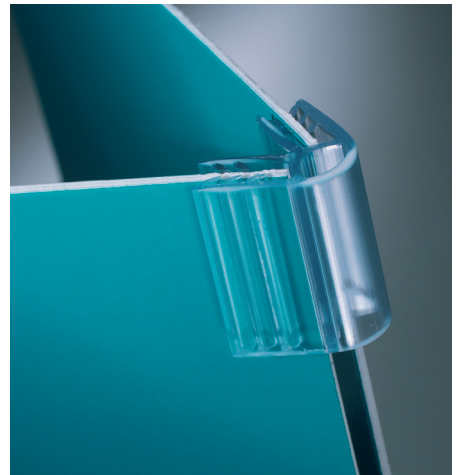
Length (mm)	Part Number
25	469112



60° Two-way Panel Formers

- Accepts material up to 2.5mm thick

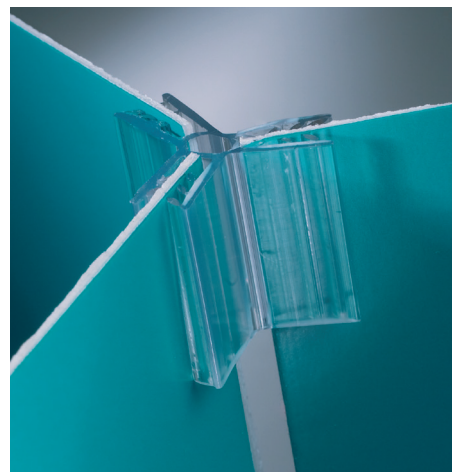
Length (mm)	Part Number
25	469141

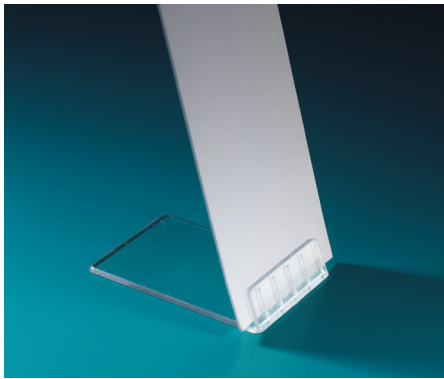


Three-way Panel Formers

- Accepts material up to 2.5mm thick

Length (mm)	Part Number
25	497213

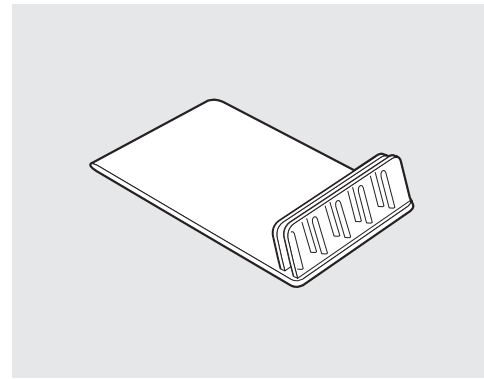




Angled Print Grips Polystyrene

- Angled self standing grip
- Non Adhesive
- Holds up to 0.5mm thick material

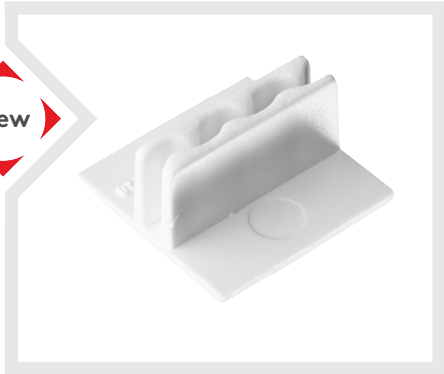
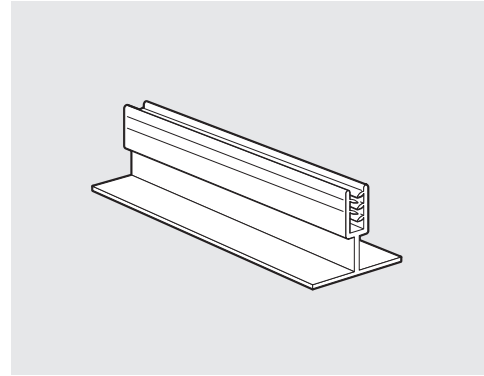
Length (mm)	Height (mm)	Width (mm)	Part Number
60	11.7	40	496987



Hinged Adhesive Sign Fixings Clear Acrylic

- Accepts material up to 2.5mm thick

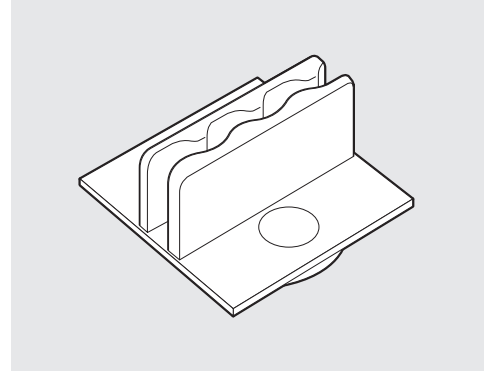
Length (mm)	Part Number
75	492766



Square Adhesive Sign Holders White plastic

- Adhesive base
- Holds up to 0.5mm thick material

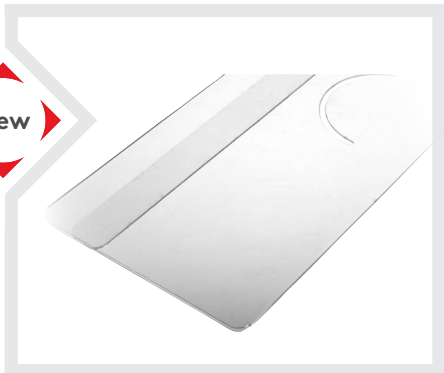
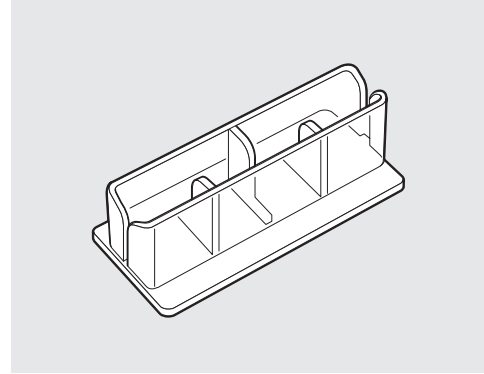
Length x Width (mm)	Height (mm)	Part Number
20 x 20	10	496986



Adhesive Sign Holders ABS

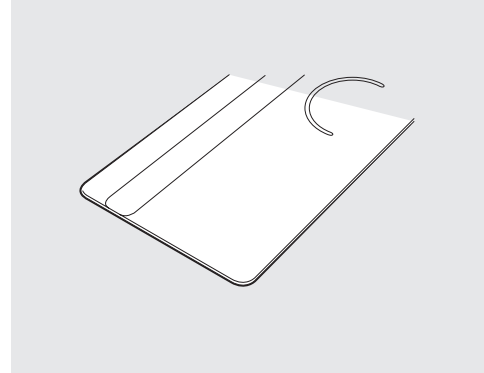
- Adhesive base
- Holds material from 1 to 2.5 mm thick

Length x Width (mm)	Height (mm)	Part Number
60 x 27	21	496843



Sign Holders PVC Extrusion

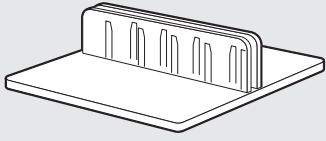
Length (mm)	Height (mm)	Part Number
210	75	496771



Self Standing Print Grips

- Accepts material up to 0.5mm thick

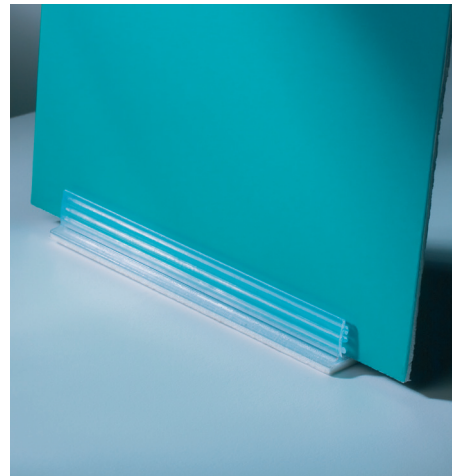
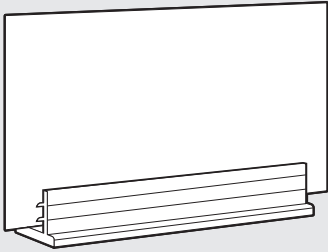
Length (mm)	Width (mm)	Part Number
50	40	492775



Display Grips PVC

- With or without adhesive base for displaying signs or posters

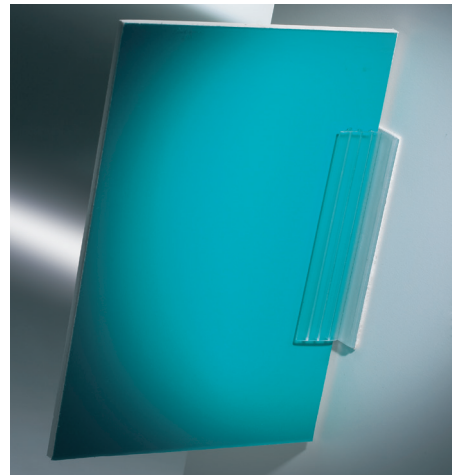
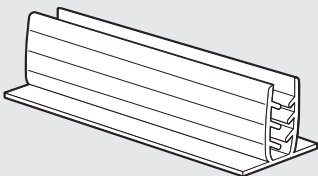
Length (mm)	Width (mm)	Type	Part Number
25	12	Non-Adhesive	497190
25	12	Adhesive	464716
25	25	Non-Adhesive	497192
25	25	Adhesive	464718
75	12	Non-Adhesive	497191
75	12	Adhesive	464717
75	25	Non-Adhesive	497193
75	25	Adhesive	464719
150	25	Non-Adhesive	497194
150	25	Adhesive	497199



Large Display Grip

- Accepts material from 2.5-4mm thick

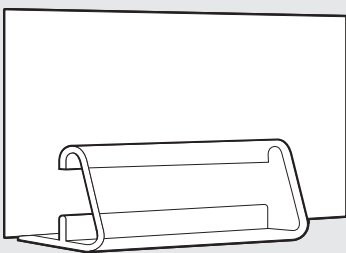
Size (mm)	Type	Part Number
75 x 25	Non-Adhesive	497201
75 x 25	Adhesive	492757



Display Holders Clear Acrylic

- Available with both adhesive and non-adhesive base
- Length 70mm, height 25mm

Width (mm)	Type	Part Number
23	Adhesive	464734
23	Non-adhesive	464735
33	Adhesive	464736
33	Non-adhesive	464737

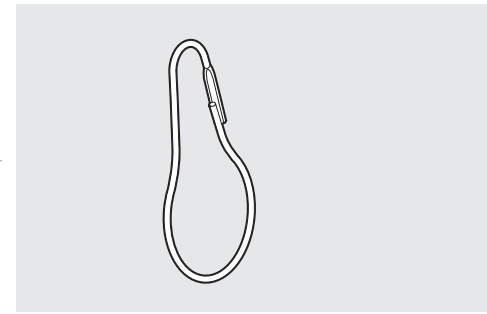




Pear Shaped Rings
Plated Steel

- Ideal for hanging multiple display boards together

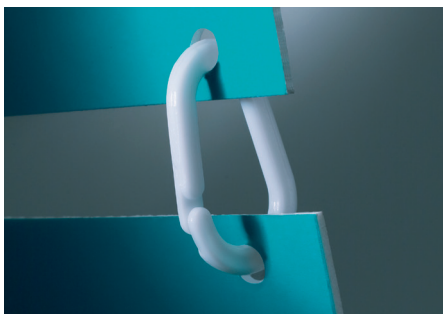
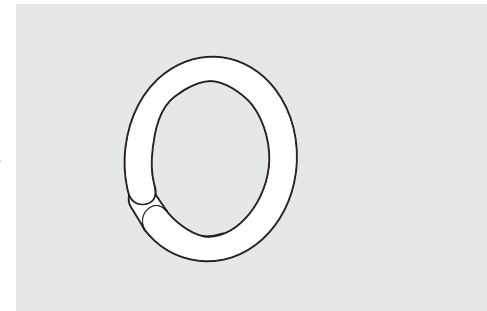
Length (mm)	Width (mm)	Part Number
70	35	492772



Round POP Rings
White PVC

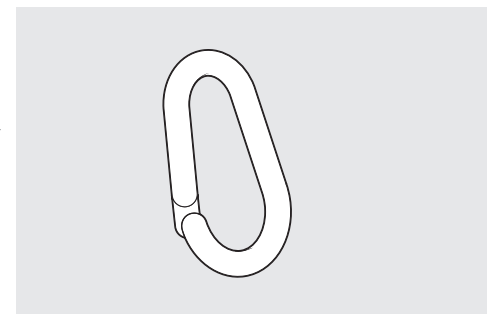
- Ideal for hanging multiple display boards together.

Diameter (mm)	Part Number
15	464708



Oval POP Rings
White PVC

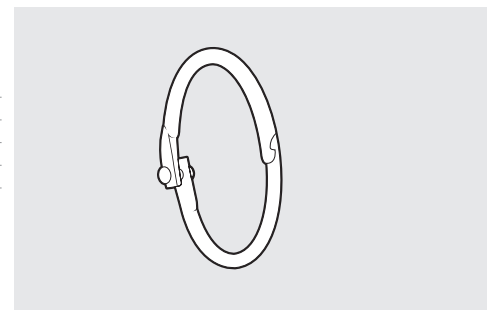
Size (mm)	Part Number
30 x 11	464709



Metal Binding Rings
Plated Steel

- Round metal binding rings

Diameter (mm)	Part Number
14	468069
20	464710
25	464711
38	464712
50	468070

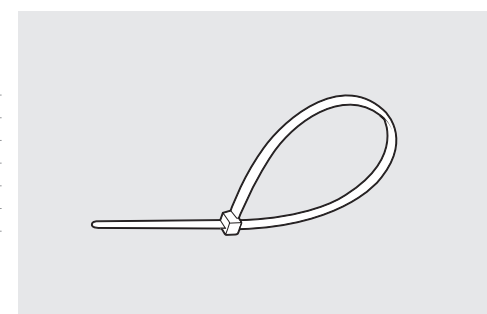


Cable Ties
Natural Nylon

- Ideal for hanging signs from many different shaped objects

Length (mm)	Width (mm)	Part Number
100	2.5	460177
203	2.5	460181
150	3.6	460184
250	3.6	460187
292	3.6	460189
250	4.8	460197
450	4.8	460204

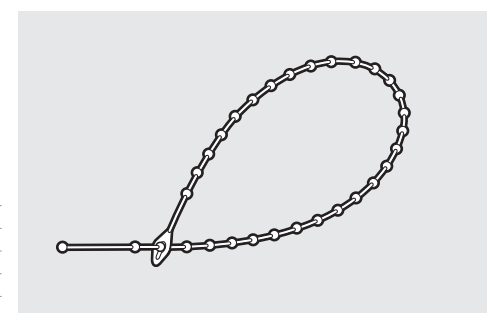
Many other sizes & colours available
Please call for details

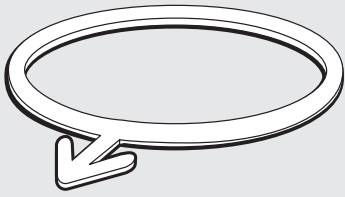


Ball Cable Ties
Nylon 6.6

- Design allows ties to be easily applied & released
- Tie design prevents slipping

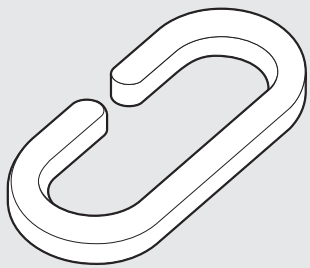
Length (mm)	Part Number	
	Natural ☉	Black ●
100	462677	462683
120	462678	462684
150	462679	462685
180	462680	462686
280	462681	462687
226	462682	462688





Bottle Rings Natural Polypropylene

Diameter (mm)	Part Number
40	464715



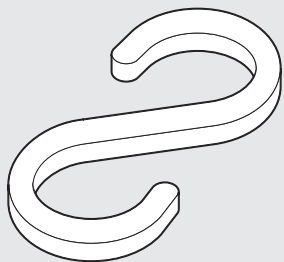
'C' Hooks Polystyrene

- Available in Clear or White
- Suitable to suspend multiple print

Size (mm)	Colour	Part Number
39 x 18	Clear	496873
39 x 18	White	496874



New



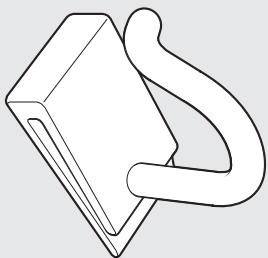
'S' Hooks Polystyrene

- Available in 2 Lengths, Clear or White
- Suitable to suspend multiple print

Size (mm)	Colour	Part Number
39 x 18	Clear	496869
39 x 18	White	496870
50 x 23	Clear	496871
50 x 23	White	496872



New



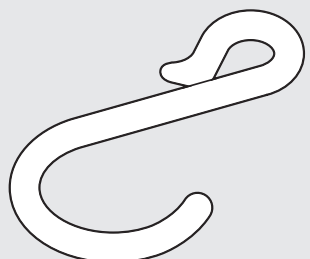
Carton Hooks LDPE

- Holds ticket strips or print

Height (mm)	Width (mm)	Part Number
39.0	16.5	496851
55.0	10.0	496852
59.5	18.0	496853



New



Ticket Strip Hooks Polypropylene

Height (mm)	Width (mm)	Part Number
48	26	496854



New

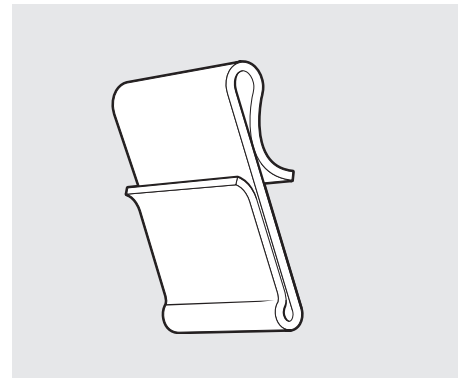
► POS GRAPHICS & PRINT DISPLAYS



Power Wing Clips – Type 1 White Polypropylene

- For hanging lightweight or cardboard displays

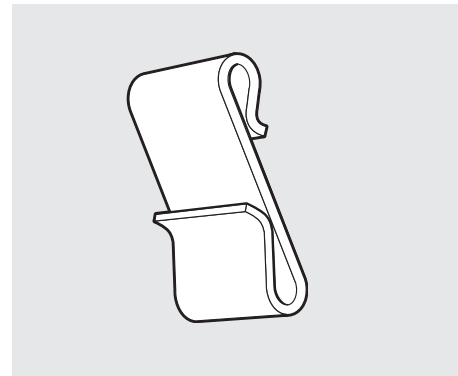
Size (mm)	Part Number
54 x 31	469108



Power Wing Clips – Type 2 White Polypropylene

- For hanging lightweight or cardboard displays

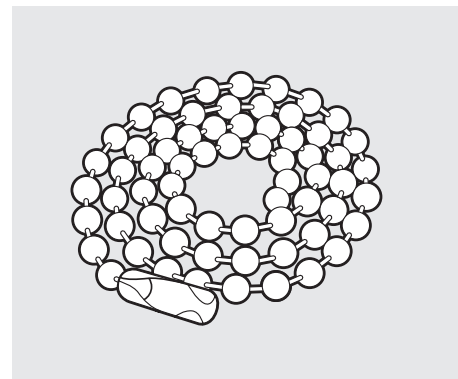
Size (mm)	Part Number
45 x 25	469109



Ball Chains & Connectors

- 25 metres per roll of chain
- Connectors sold separately

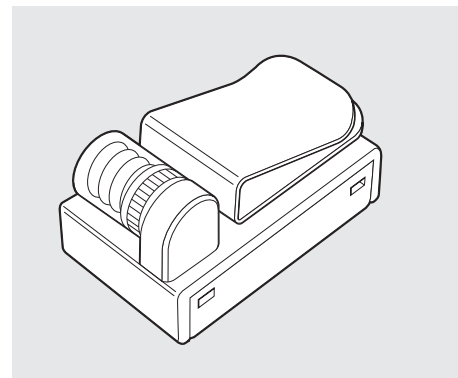
Description	Ball Size (mm)	Part Number
Ball Chain	2.4	496866
Connector	2.4	496988
Ball Chain	3.6	496867
Connector	3.6	496868



Hinged Clips with Magnetic Base ABS & Polycarbonate

- Strong magnetic base
- Clip can rotate up to 180°
- Holds print from 1 to 8mm thick

Size (mm)	Part Number
60 x 48	497234

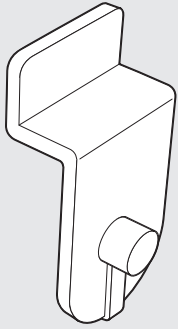


► We are here to help...

Our Customer Service advisors are friendly, knowledgeable, and ready to help you find the right product for your application.

► Call 0845 758 5070

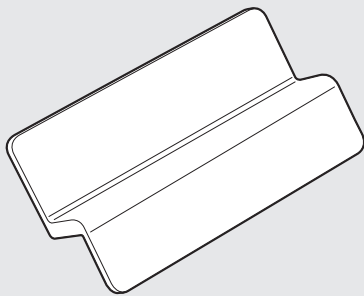
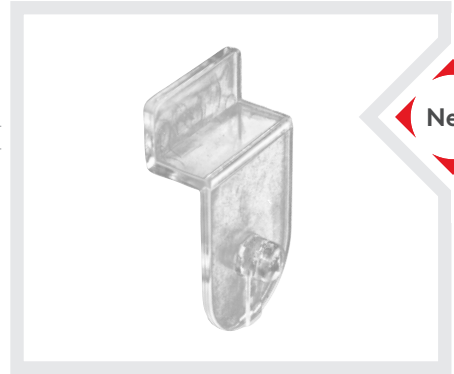




Slatwall Clips - Type 1

Polystyrene

Dia. (mm)	Colour	Part Number
48 x 26	White	496964
48 x 26	Clear	496965

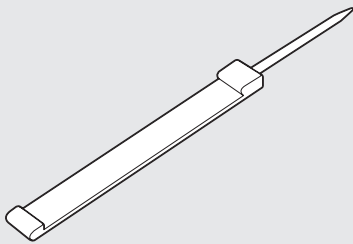


Slatwall Clips - Type 2

Polystyrene

- Available with or without an adhesive strip fixing

Length (mm)	Colour	Fixing	Part Number
60	White	Non-adhesive	496966
60	Clear	Non-adhesive	496968
60	White	Adhesive	496967
60	Clear	Adhesive	496969

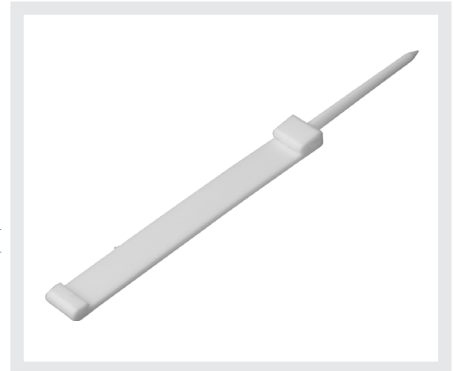


Price Spears

White LDPE

- Suitable for displaying price tags
- Attach by spearing into product/display
- Holds card up to 0.2mm thick

Length (mm)	Type	Part Number
60	Small	496840
80	Large	496841

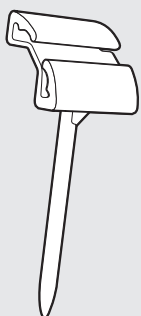
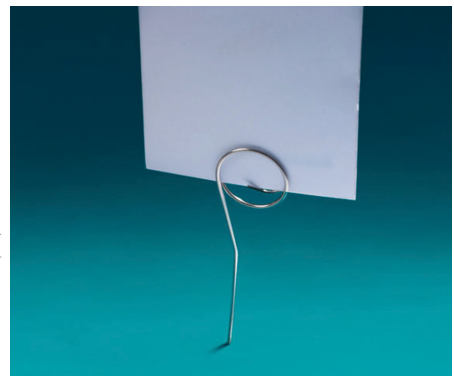


Wire Card Pins

Stainless Steel

- Two different heights available
- Push this wire pin into a multitude of materials
- Holds print up to 0.2mm thick

Size (mm)	Pin Thickness (mm)	Part Number
65 x 17	1.0	496961
85 x 17	1.3	496962



Ticket Pins

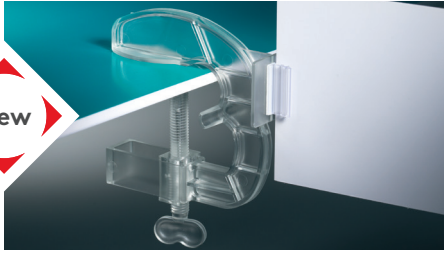
Nylon

- Stab in ticket display
- 2 different print holding positions

Size (mm)	Grip Capacity (mm)	Part Number
54 x 19	0.5	496963



► POS GRAPHICS & PRINT DISPLAYS



Shelf Clamps Polycarbonate

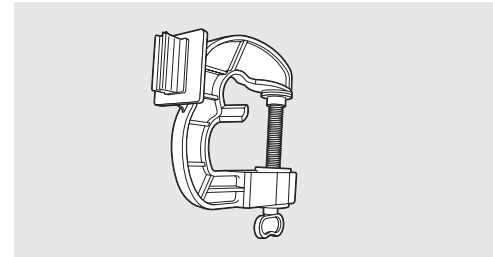
- 6 Different fixing styles
- Attaches to a shelf edge or flat surface & holds print securely
- Clamp style fixing means that the display can be moved to customized positions

Type 1



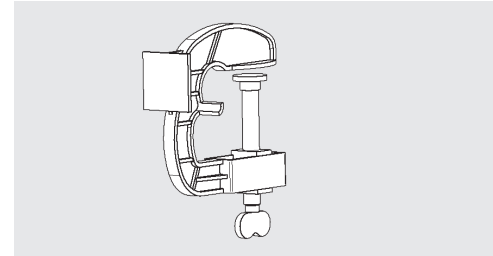
Type 1 - Adhesive Gripper

Size (mm)	Grip Range (mm)	Part Number
98 x 98	0-40	496772



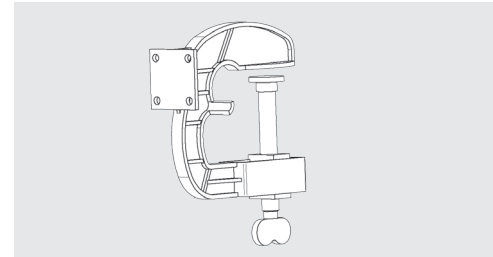
Type 2 - Flat Front

Size (mm)	Grip Range (mm)	Part Number
98 x 98	0-40	496773



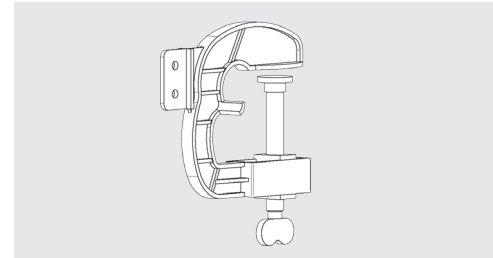
Type 3 - Front Holes

Size (mm)	Grip Range (mm)	Part Number
98 x 98	0-40	496774



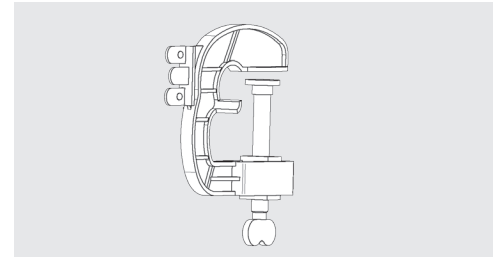
Type 4 - Side Holes

Size (mm)	Grip Range (mm)	Part Number
98 x 98	0-40	496775



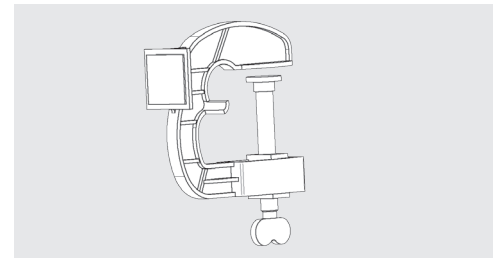
Type 5 - Gripper

Size (mm)	Grip Range (mm)	Part Number
98 x 98	0-40	496776



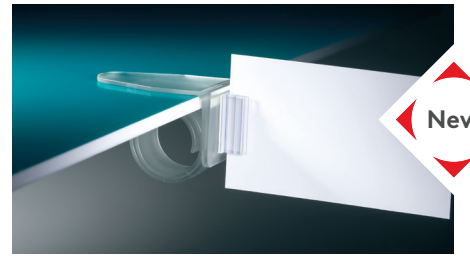
Type 6 - Adhesive Pad

Size (mm)	Grip Range (mm)	Part Number
98 x 98	0-40	496777

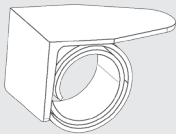


Snail Clips Polycarbonate

- Snail Clips attach to a shelf edge & hold print in place
- A variety of print fixings in removable or permanent
- Grip Capacity of 3-40mm

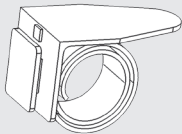


Type 5



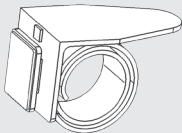
Type 1 - Flat Front

Size (mm)	Overall Width (mm)	Part Number
62 x 34	35	496952



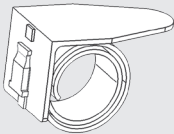
Type 2 - Spacer Adaptor

Size (mm)	Overall Width (mm)	Part Number
60 x 34	35	496953



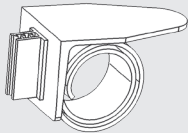
Type 3 - Adhesive Adaptor

Size (mm)	Overall Width (mm)	Part Number
60 x 34	35	496954



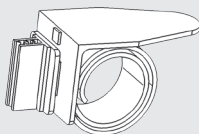
Type 4 - With Clip

Size (mm)	Overall Width (mm)	Part Number
60 x 34	35	496955



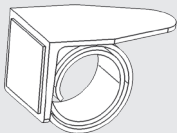
Type 5 - Adhesive Grip - accepts material 1.5-2mm

Size (mm)	Overall Width (mm)	Part Number
62 x 34	35	496956



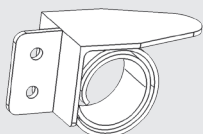
Type 6 - Adhesive Grip & Clip - accepts material 1.5 to 2mm

Size (mm)	Overall Width (mm)	Part Number
60 x 34	35	496957



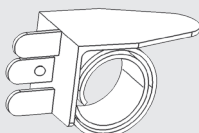
Type 7 - Adhesive Pad

Size (mm)	Overall Width (mm)	Part Number
62 x 34	35	496958



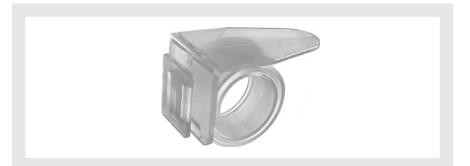
Type 8 - With 2 Hole Fixings for Signs

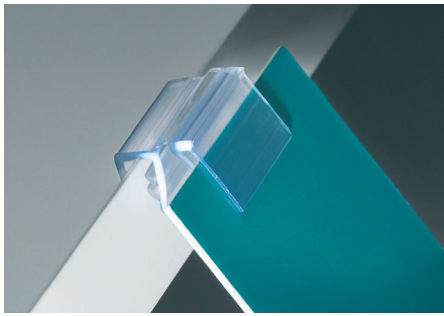
Size (mm)	Overall Width (mm)	Part Number
60 x 34	35	496959



Type 9 - With 3 Hole Fixings for Signs

Size (mm)	Overall Width (mm)	Part Number
60 x 34	35	496960

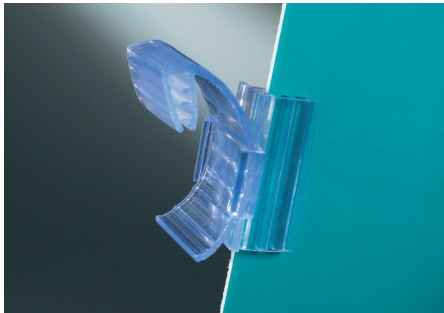
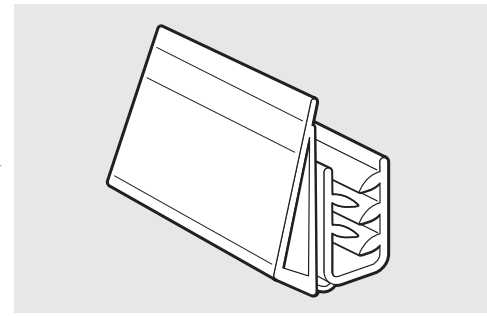




Hinged Sign Holders

- Allows the sign to be lifted up
- Accepts material up to 2.5mm thick

Size (mm)	Panel Thickness (mm)	Part Number
14.5 x 25.0	4.0	497208

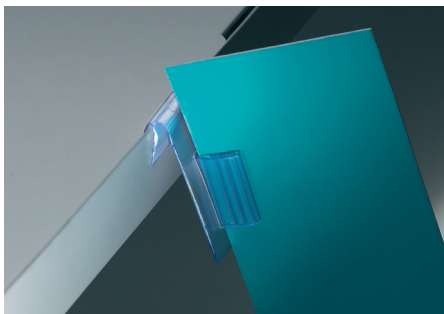
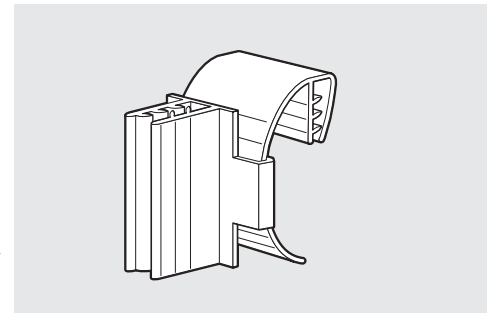


Perpendicular Shelf Edge Ticket Fixings

Type 1

- Attaches to ticket rail & allows print to be fixed at custom angles
- Accepts material up to 2mm thick

Length (mm)	Part Number
25	492769

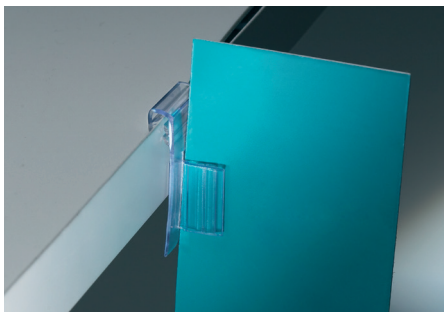
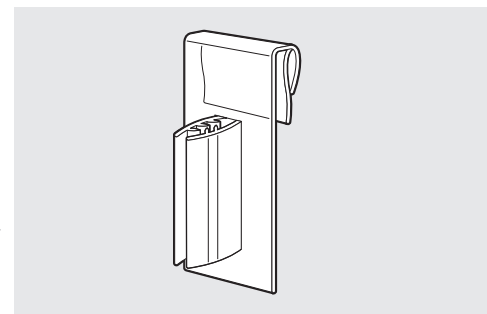


Perpendicular Shelf Edge Ticket Fixings

Type 2

- Attaches to ticket rail via a hinged clip
- Accepts material up to 2.5mm thick

Length (mm)	Part Number
25	492770

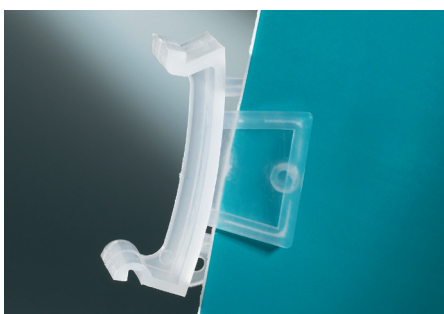
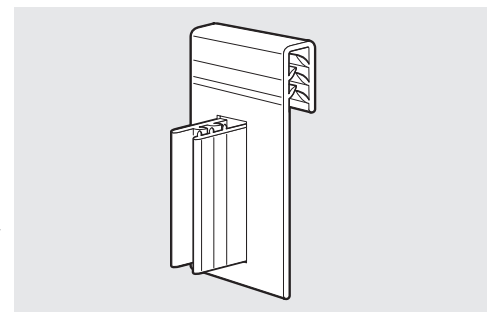


Perpendicular Shelf Edge Ticket Fixings

Type 3

- Attaches to shelf of up to 4mm thick
- Accepts material up to 2mm thick

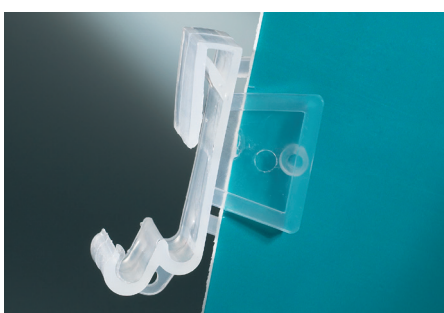
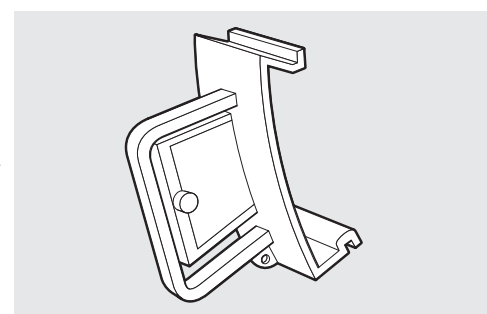
Length (mm)	Part Number
25	492754



Perpendicular Shelf Edge Ticket Fixings

Type 4

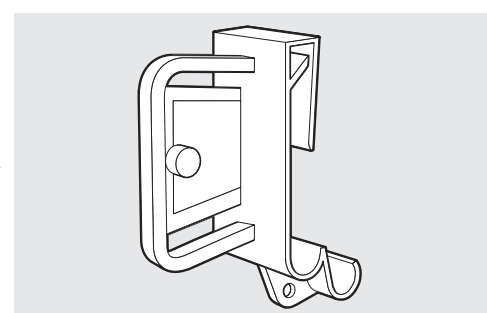
Length (mm)	Part Number
25	492756

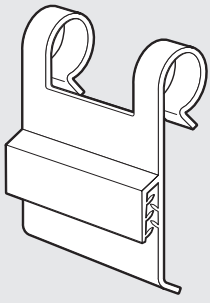


Perpendicular Shelf Edge Ticket Fixings

Type 5

Length (mm)	Part Number
25	492755

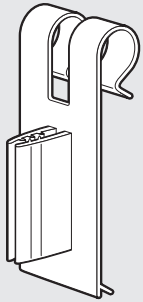
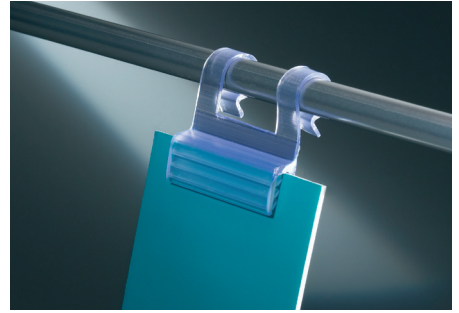




Wire Basket Sign Holders

- Clips to wire rails up to 9mm in diameter
- Accepts material up to 2mm thick

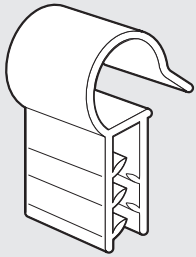
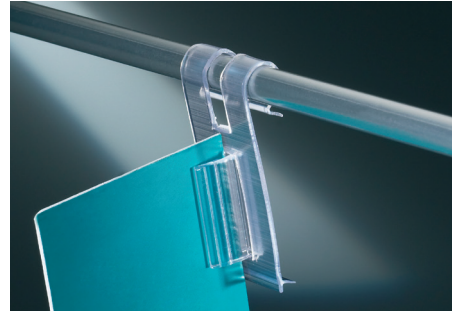
Width (mm)	Part Number
35	492762



Perpendicular Wire Rail Ticket Fixings

- Clips to wire rails up to 9mm in diameter
- Accepts material up to 2.5mm thick

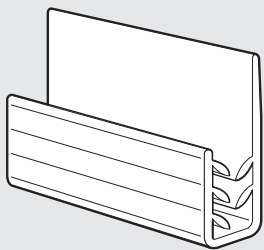
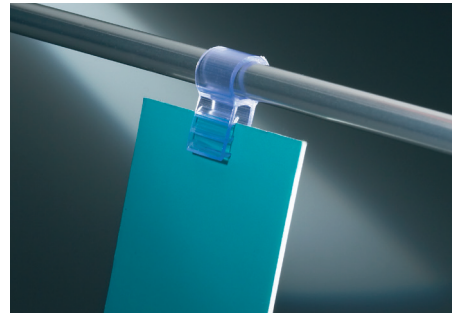
Width (mm)	Part Number
25	492768



Wire Basket Sign Fixings

- Clips to wire rails up to 9mm in diameter
- Accepts material up to 2mm thick

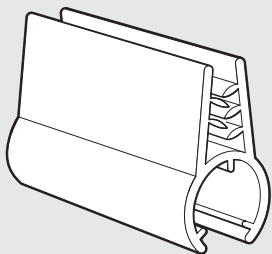
Width (mm)	Part Number
13	492771



Adhesive Sign Fixings

- Accepts material up to 2.5mm thick

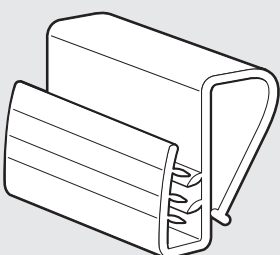
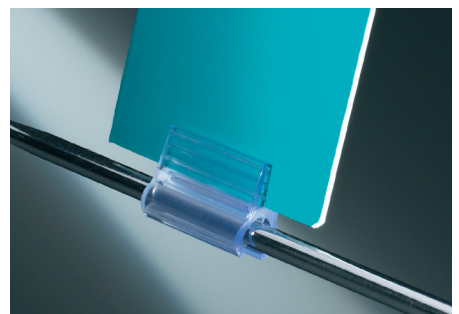
Length (mm)	Part Number
25	492764



Wire Sign Fixings

- Attaches securely to 6mm diameter wire
- Accepts material up to 2mm thick

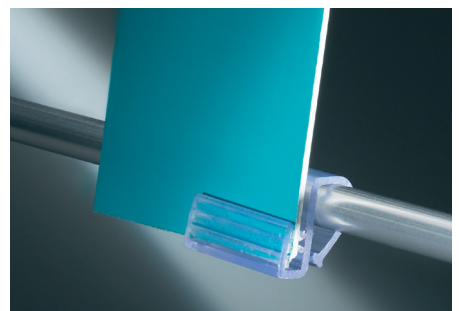
Length (mm)	Part Number
25	492791



Wire Rail Sign Holders

- Accepts material up to 1mm thick

Length (mm)	Part Number
25	492761



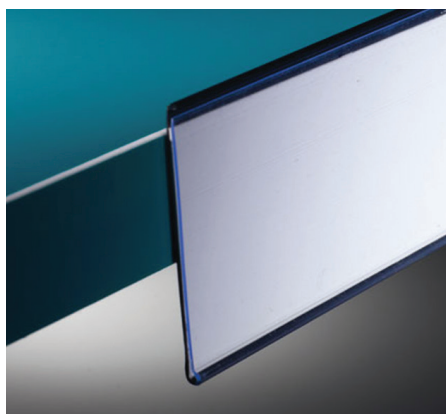
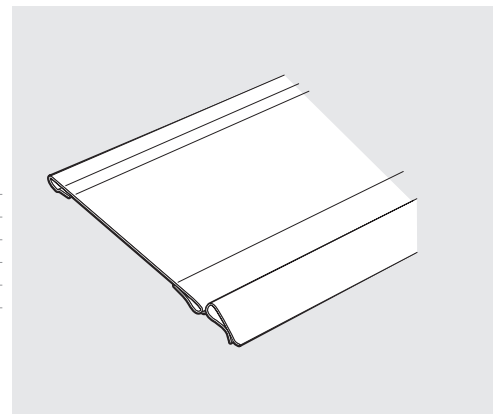
► POS GRAPHICS & PRINT DISPLAYS



Hinged Ticket Holders PVC Extrusion

- Print display that fixes to shelf edges
- Hinge facilitates seeing other information underneath

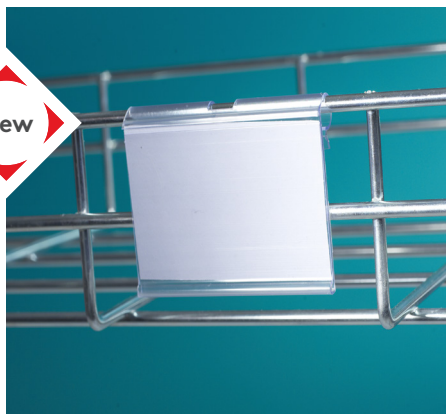
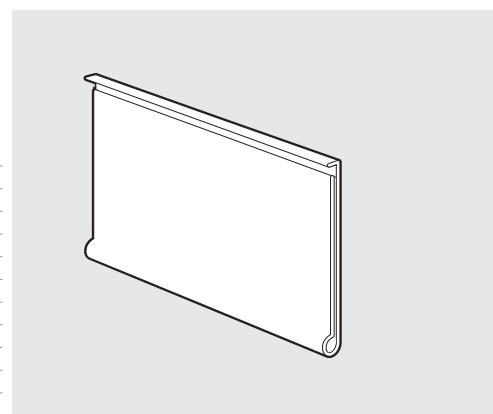
Length (mm)	Ticket width (mm)	Part Number
150	75	496875
210	75	496876
279	75	496877
150	105	496940
210	105	496941
279	105	496942



Adhesive Price Channels PVC Extrusion

- 1 Metre lengths

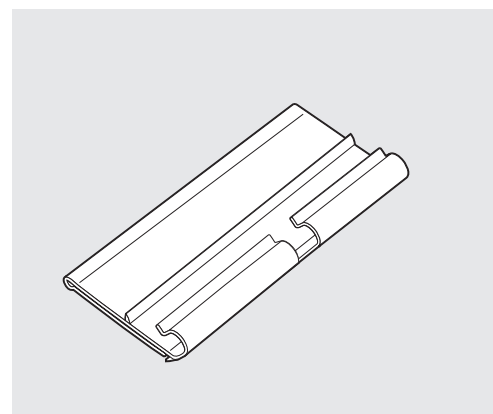
Fit print height (mm)	Colour Front/Back	Part Number
26	Clear/Clear	497181
26	Clear/White	497184
26	Clear/Black	497187
28	Clear/Clear	492786
28	Clear/White	497185
28	Clear/Black	497188
39	Clear/Clear	492780
39	Clear/White	497186
39	Clear/Black	497189
52	Clear/White	497217
52	Clear/Black	497218
55	Clear/Clear	492785



Swing Price Tags PVC

- To fit 7mm Wire
- Attaches to wire basket to display price tags

Size (mm)	Part Number
75 x 39	496860
65 x 44	496862
75 x 39	496864

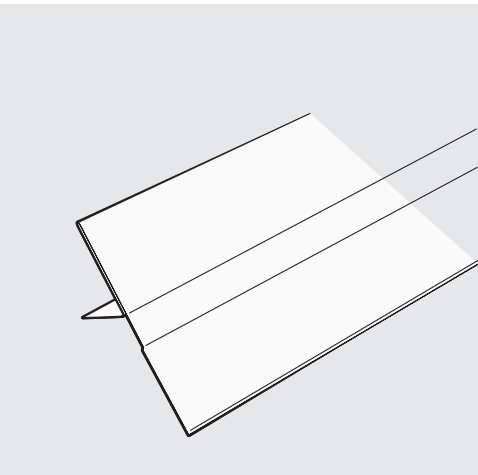


► FEET AND GLIDES



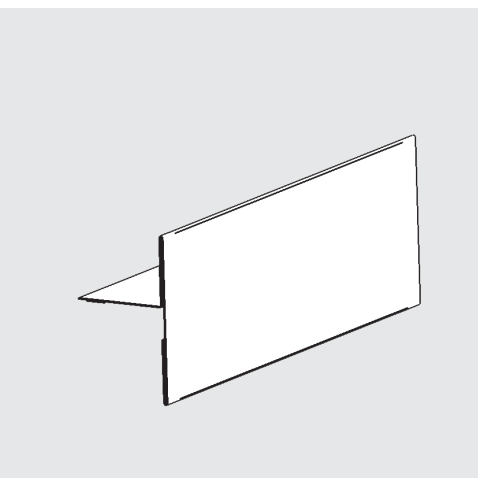
Our full range of
Feet and Glides including
new and extended ranges

See our website
www.essentracomponents.co.uk



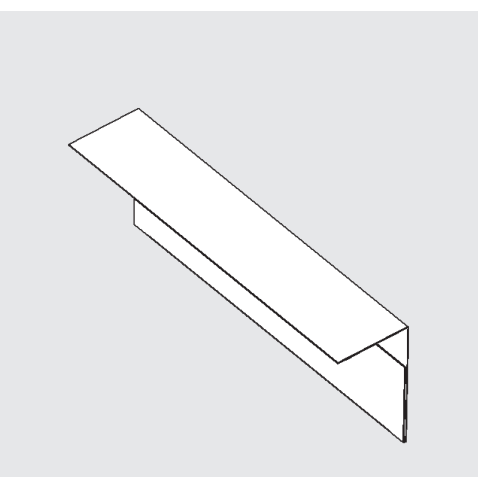
Shelf Talkers - Clip on Clear PVC Extrusion

To Fit Print Height (mm)	Length (mm)	Part Number
60	210	496882
73	210	496883
148	210	496884
73	148	496885
105	148	496886
105	297	496887



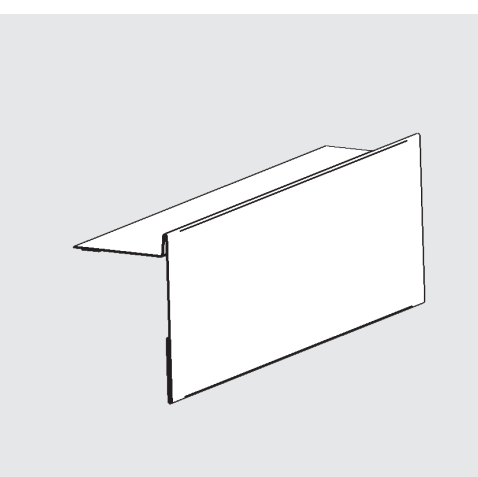
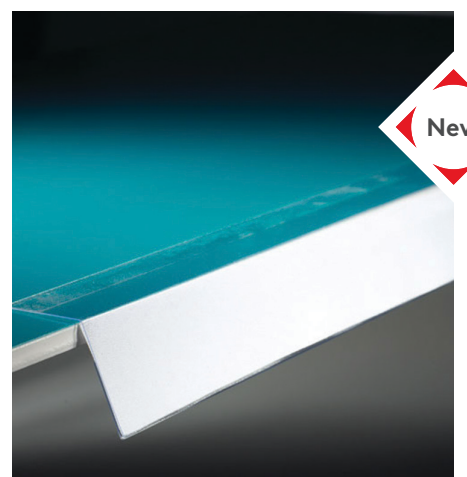
Shelf Talkers - Adhesive Middle Fixing Clear PVC Extrusion

Height (mm)	Length (mm)	Part Number
75	210	496888
75	296	496889



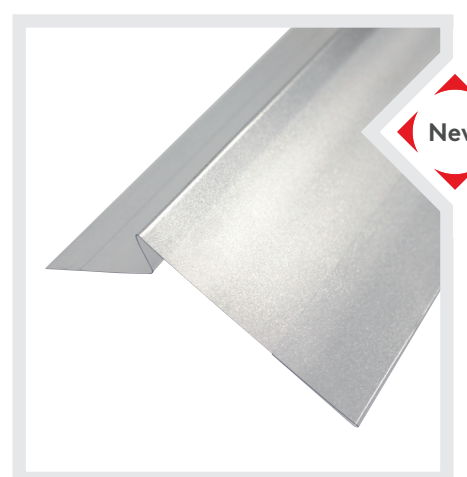
Shelf Talkers - Adhesive Top Fixing Clear PVC Extrusion

Height (mm)	Length (mm)	Part Number
27	400	496878
27	1000	496879
75	210	496880
75	296	496881



Shelf Talkers - Adhesive Strip Clear PVC Extrusion

Height (mm)	Length (mm)	Part Number
75	210	497238

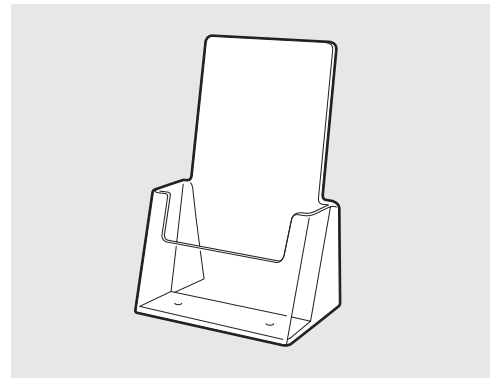


► POS GRAPHICS & PRINT DISPLAYS



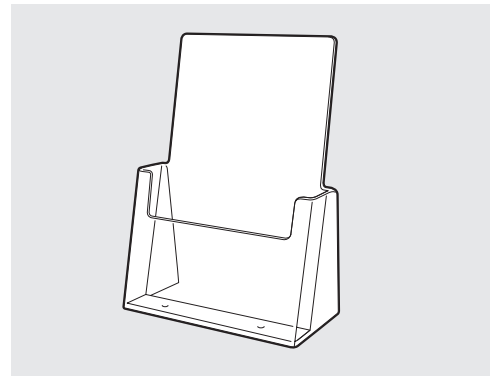
1/3 A4 Counter Stand Portrait Leaflet Holders

Part Number
493203



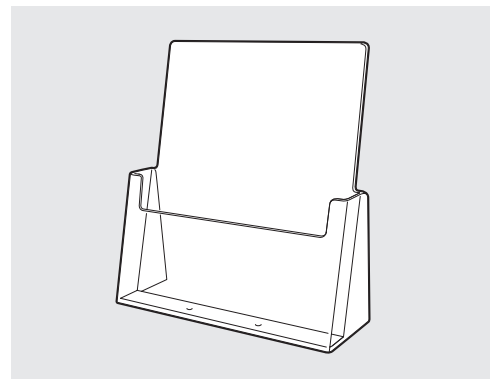
A5 Counter Stand Portrait Leaflet Holders

Part Number
493204



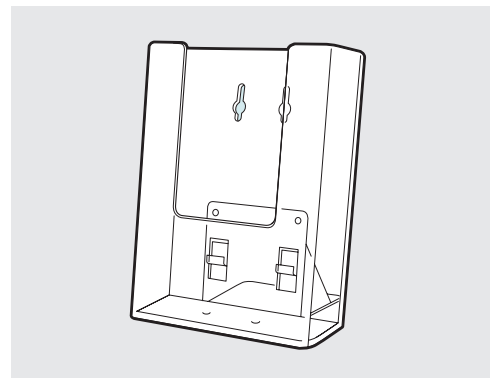
A4 Counter Stand Portrait Leaflet Holders

Part Number
493205



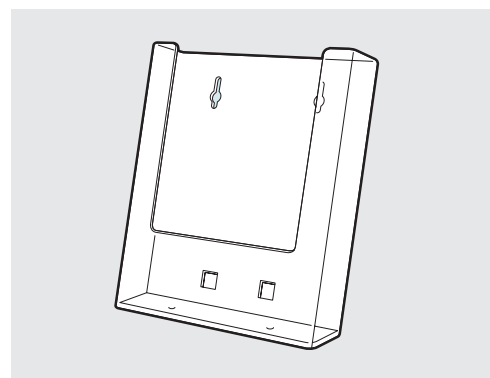
1/3 A4 Wall Mount Portrait Leaflet Holders

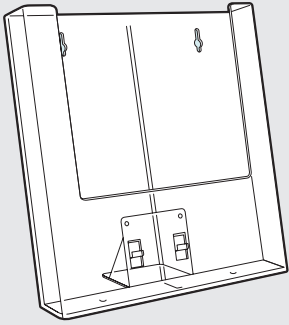
Part Number
493210



A5 Wall Mount Portrait Leaflet Holders

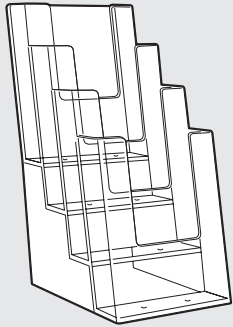
Part Number
493206





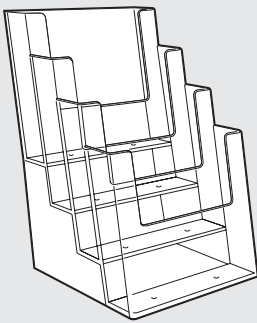
A4 Wall Mount Portrait Leaflet Holders

Part Number
493207



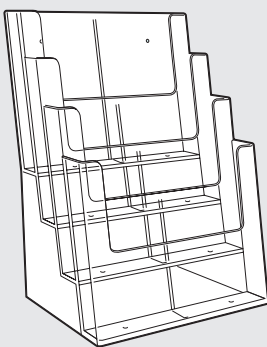
4 Pocket 1/3 A4 Portrait Leaflet Holders

Part Number
493208



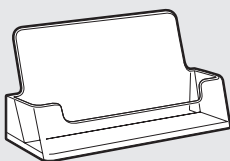
4 Pocket A5 Portrait Leaflet Holders

Part Number
493212



4 Pocket A4 Portrait Leaflet Holders

Part Number
493211

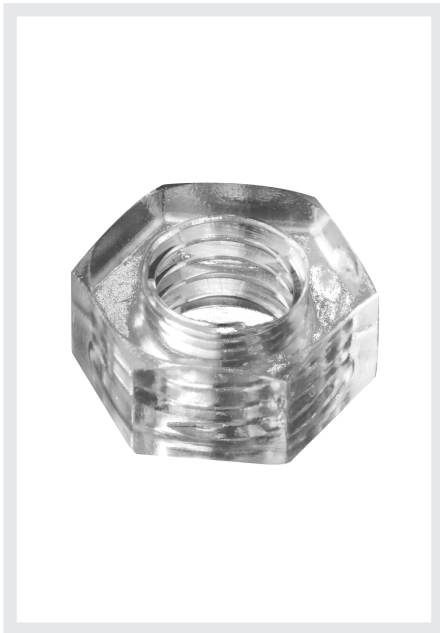


Landscape Business Card Holders

- For displaying 90mm wide business cards

Part Number
493209

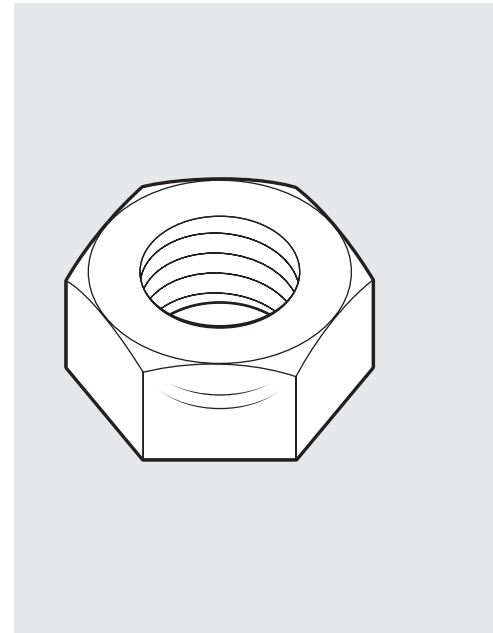




Transparent Nuts Polycarbonate

- High transparency fastene
- Ideal for POS displays as they will fasten tightly & blend into the background
- Clear

Dimension (mm)	Thread Size	Height (mm)	Part Number
4.0	M2	1.6	170000200022
5.0	M2.6	2.4	170002500022
5.5	M3	2.5	170000300022
8.0	M4	3.3	170000400022
8.0	M5	4.4	170000500022
10.0	M6	5.5	170000600022
13.0	M8	6.5	170000800022

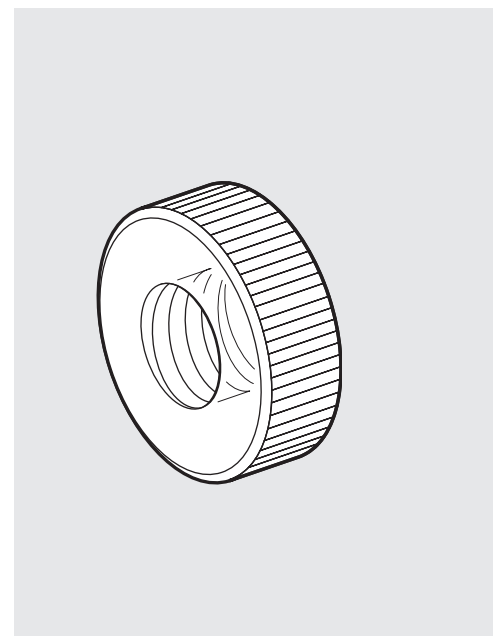


Knurled Nuts Clear Polycarbonate

- Knurled nuts are perfect for quick & ergonomic assembly of displays

Size	Height (mm)	Diameter (mm)	Part Number
M5	6.0	16.0	0660031700VR
M6	6.0	16.0	0660041700VR

Also available from stock in  natural &  black

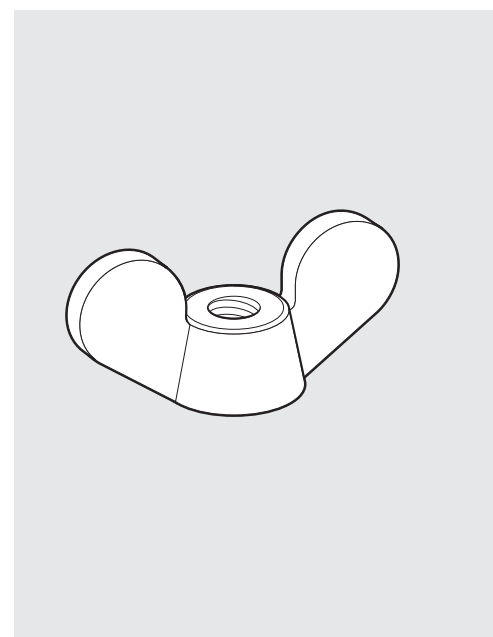


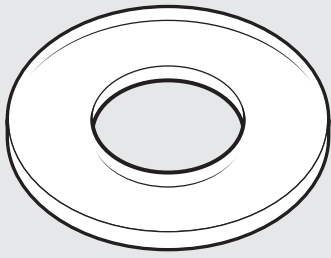
Wing Nuts Natural Nylon 6.6

- Wingspan 25mm, height 12mm

Size	Part Number
M5	0480530000VR
M6	0480540000VR
M8*	0500050000VR

*Wingspan 35mm, height 22mm

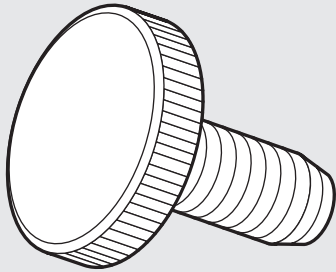




Transparent Washers Polycarbonate

- High transparency fastener
- Clear

Inner Dia. (mm)	Outer Dia. (mm)	Thickness (mm)	Part Number
2.1	4.0	0.5	173000200022
2.7	6.0	0.5	173002600022
3.3	8.0	0.8	173000300022
4.5	10.0	0.8	173000400022
5.5	12.0	1.0	173000500022
6.5	13.0	1.6	173000600022
8.5	18.0	1.6	173000800022



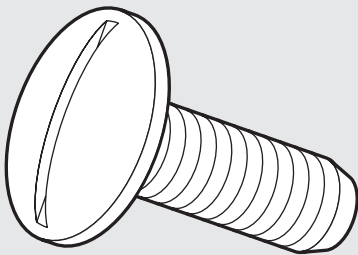
Thumb Screws Clear Polycarbonate

- Ideal for use with our knurled nuts to provide a strong fastening that has minimal aesthetic impact on the display
- Head diameter 16mm

Size	Screw Length (mm)	Part Number
M5	15.0	0140321700VR
	25.0	0140341700VR
M6	16.0	0140451700VR
	25.0	0140481700VR
M8*	16.0	0140681700VR*
	25.0	0140701700VR*
	35.0	0140721700VR*

* Cruci form head style M8

Also available from stock in  natural &  black

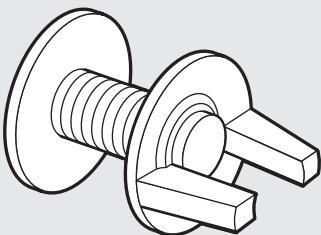
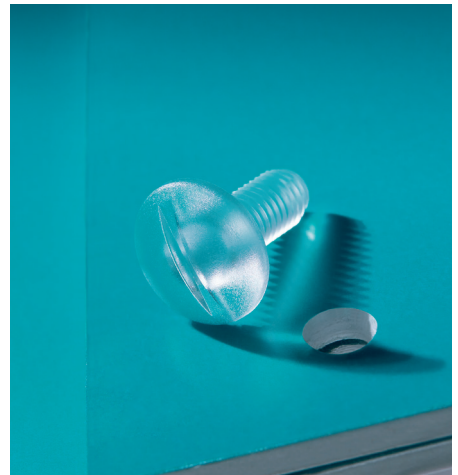


Slotted Mushroom Head Screws Clear Polycarbonate

- This clear plastic screw provides a low profile finish that can be assembled with a standard screwdriver

Size	Screw Length (mm)	Part Number
M5	10.0	0170281700VR
	16.0	0170311700VR
	30.0	0170351700VR
M6	10.0	0170421700VR
	16.0	0170451700VR
	30.0	0170501700VR
M8	16.0	0170681700VR
	25.0	0170701700VR
	35.0	0170721700VR

Also available from stock in  natural &  black



Viking Screws

- Fast & easy push on panel fastener
- Screw to tighten
- Head diameter 12.5mm
- Clear Polycarbonate range come with the Screw and Nut sold together

Clear Polycarbonate

Screw Length (mm)	Part Number
12.0	464972
20.0	464973
25.0	464974

High Clarity Polypropylene*

Screw Length (mm)	Part Number
12.0	497178
20.0	497179
25.0	497180

* Screw and Nut sold separately

Nut Part Number
497177

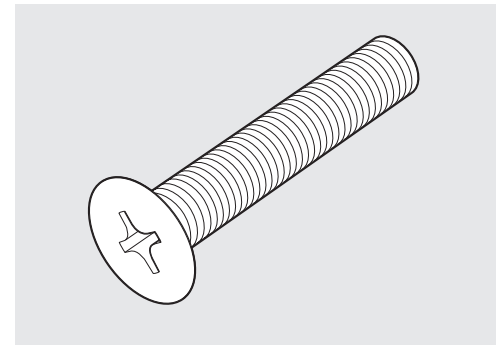


► POS DISPLAY COMPONENTS



Transparent Screws - Countersunk Polycarbonate

- High transparency fastener
- Sits flush against a panel
- Clear
- Crossed head



Thread Size	Length (mm)	Part Number
M2	4.0	170200400022
M2	3.3	170020300022
M2	5.0	170200500022
M2	6.0	170200600022
M2	8.0	170200800022
M2.6	4.0	170042600022
M2.6	5.0	170052600022
M2.6	6.0	170062600022
M2.6	8.0	170082600022
M2.6	10.0	170102600022
M2.6	12.0	170122600022
M3	4.0	170300400022
M3	4.5	170030500022
M3	6.4	170030700022
M3	9.0	170030900022
M3	10.8	170031100022
M3	12.8	170031300022

Thread Size	Length (mm)	Part Number
M3	15.0	170301500022
M3	18.0	170301800022
M3	20.0	170302000022
M3	25.0	170302500022
M4	3.8	170400400022
M4	8.0	170400800022
M4	5.8	170400600022
M4	12.0	170401200022
M4	9.8	170401000022
M4	15.0	170401500022
M4	13.8	170401400022
M4	18.0	170401800022
M4	20.0	170402000022
M4	25.0	170402500022
M5	8.2	170500800022
M5	10.2	170501000022
M5	12.2	170501200022

Thread Size	Length (mm)	Part Number
M5	15.0	170501500022
M5	20.0	170502000022
M5	25.0	170502500022
M6	10.0	170601000022
M6	12.0	170601200022
M6	15.0	170601500022
M6	20.0	170602000022
M6	25.0	170602500022
M6	30.0	170603000022
M6	35.0	170603500022
M8	10.0	170801000022
M8	15.0	170801500022
M8	20.0	170802000022
M8	25.0	170802500022
M8	30.0	170803000022

ADHESIVE TAPES AND PADS

WE STOCK HUNDREDS OF THEM!

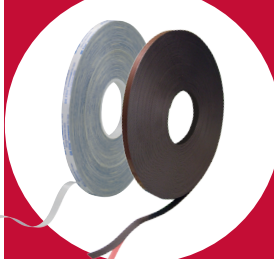


High bond tapes
See page 69



Hook and loop
See pages 66-67

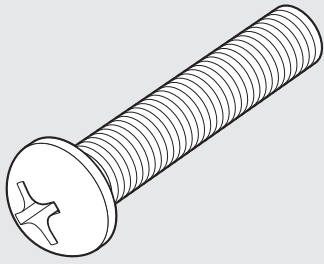
DK film
See page 68
Magnetic film tape
See page 72



Double sided foam tapes
See pages 63-64



www.essentracomponents.co.uk



Transparent Screws Polycarbonate

- High transparency fastener
- Ideal for POS displays as they will fasten tightly & blend into the background
- Clear
- Crossed head



Thread Size	Length (mm)	Part Number
M2	3.0	170023000022
M2	4.0	170020400022
M2	5.0	170000500022
M2	6.5	170020700022
M2	8.0	170020800022
M2	10.0	170021000022
M2	12.0	170021200022
M2.6	3.0	170260300022
M2.6	4.0	170260400022
M2.6	5.0	170020500022
M2.6	6.0	170020600022
M2.6	8.0	170260800022
M2.6	10.0	170261000022
M2.6	12.0	170261200022
M2.6	15.0	170261500022
M3	4.0	170030400022
M3	5.0	170035000022
M3	6.4	170030600022
M3	8.0	170030800022
M3	10.0	170031000022
M3	12.1	170031200022
M3	15.1	170031500022

Thread Size	Length (mm)	Part Number
M3	16.0	170031600022
M3	18.0	170031800022
M3	20.0	170032000022
M3	25.0	170032500022
M3	30.0	170033000022
M4	5.0	170040500022
M4	6.3	170040600022
M4	8.0	170040800022
M4	10.2	170041000022
M4	12.2	170041200022
M4	14.2	170041400022
M4	15.0	170041500022
M4	16.2	170041600022
M4	18.0	170041800022
M4	20.0	170042000022
M4	25.0	170042500022
M4	30.0	170043000022
M5	6.0	170050600022
M5	8.0	170050800022
M5	10.0	170051000022
M5	12.0	170051200022
M5	15.0	170051500022

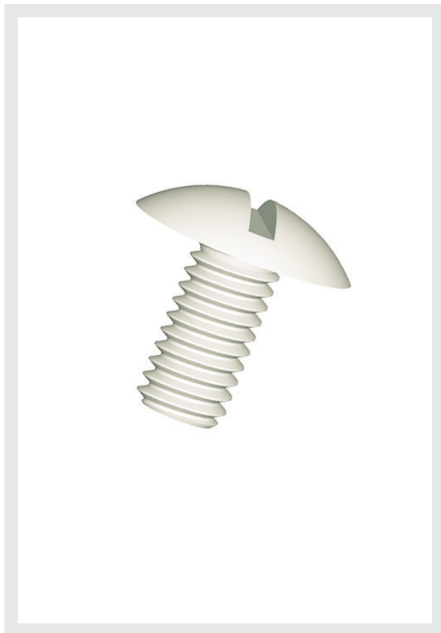
Thread Size	Length (mm)	Part Number
M5	16.0	170051600022
M5	18.0	170051800022
M5	20.2	170052000022
M5	25.0	170052500022
M5	30.0	170053000022
M5	35.0	170053500022
M6	10.0	170061000022
M6	12.0	170061200022
M6	15.0	170061500022
M6	20.0	170062000022
M6	25.0	170062500022
M6	30.0	170063000022
M6	35.0	170063500022
M6	40.0	170064000022
M8	12.0	170081200022
M8	15.0	170081500022
M8	20.0	170082000022
M8	25.0	170082500022
M8	30.0	170083000022
M8	40.0	170084000022

WE MAKE IT EASY!

- ▶ Buy over 28,000 products online
- ▶ Request free samples
- ▶ Easy to find products
- ▶ Download 3D CAD files



www.essentracomponents.co.uk



Slotted Mushroom Head Screws Natural Nylon

Thread Size (mm)	Length (mm)	Part Number
M5	10.0	0170280000VR
M5	16.0	0170310000VR
M5	25.0	0170340000VR
M6	10.0	0170420000VR
M6	16.0	0170450000VR
M6	25.0	0170480000VR
M8	10.0	0170650000VR*
M8	16.0	0170680000VR
M8	25.0	0170700000VR

* Cruciform slot head style



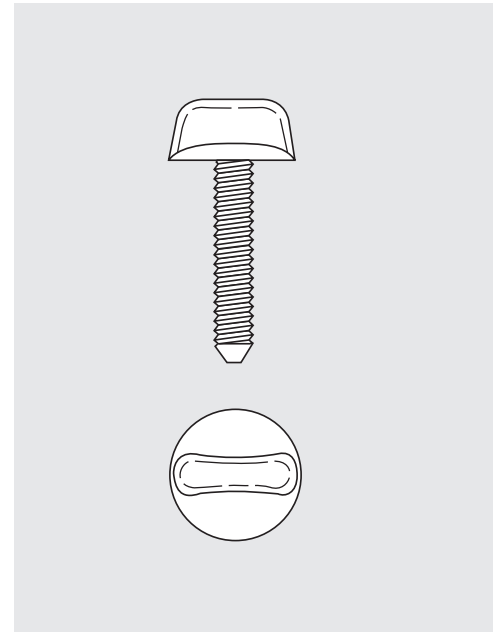
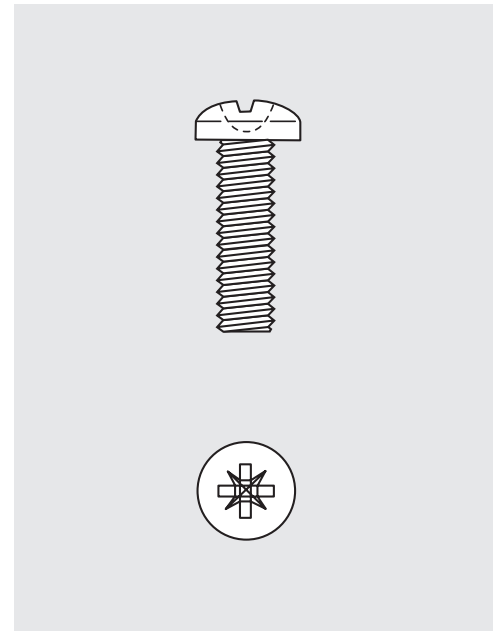
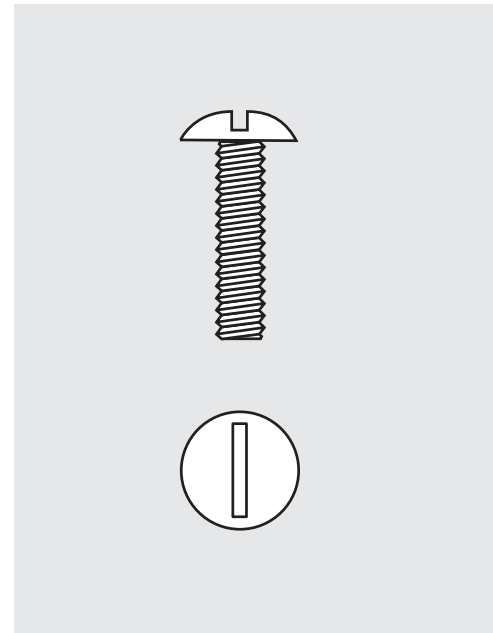
Crossed Pan Head Screws Natural Nylon

Thread Size (mm)	Length (mm)	Part Number
M5	10.0	0080280000VR
M5	16.0	0080310000VR
M5	25.0	0080340000VR
M6	10.0	0080420000VR
M6	16.0	0080450000VR
M6	25.0	0080480000VR
M8	10.0	0080650000VR
M8	16.0	0080680000VR
M8	25.0	0080700000VR
M10	16.0	0081850000VR
M10	30.0	0080880000VR



Wing Screws with Washer Natural Nylon

Thread Size (mm)	Length (mm)	Part Number
M5	10.0	0270210000VR
M5	15.0	0270590000VR
M5	25.0	0270240000VR
M6	10.0	0270010000VR
M6	15.0	0270620000VR
M6	25.0	0270060000VR
M8	10.0	0270080000VR
M8	16.0	0270090000VR
M8	25.0	0270110000VR
M10	16.0	0270270000VR
M10	30.0	0270170000VR



Snap Fasteners Natural Polyethylene

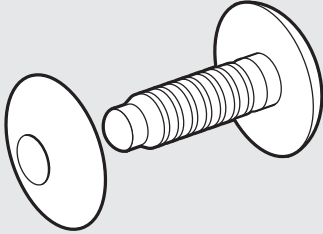
- Ideal for corrugated displays

30mm Head Diameter

Panel Thickness (mm)	Part Number White ○	Part Number Black ●	Part Number High Clarity ○
6.0 - 10.0	8502160908VR	8502160901VR	8502160900VR
6.0 - 22.0	8502260908VR	8502260901VR	8502260900VR
20.0 - 40.0	8502440908VR	8502440901VR	8502440900VR
12.0 - 18.0	8501160908VR	8501160901VR	8501160900VR
12.0 - 30.0	8501260908VR	8501260901VR	8501260900VR
12.0 - 46.0	8501440908VR	8501440901VR	8501440900VR

15mm Head Diameter

Panel Thickness (mm)	Part Number White ○	Part Number Black ●	Part Number High Clarity ○
0.0 - 8.0	8501150908VR	8501150901VR	8501150900VR
0.0 - 16.0	8501220908VR	8501220901VR	8501220900VR



Estate Agency Sign Fasteners White Nylon 6

- Ideal for fixing 'For Sale' sign boards

Post Fixings

Slotted Pan Head Screws

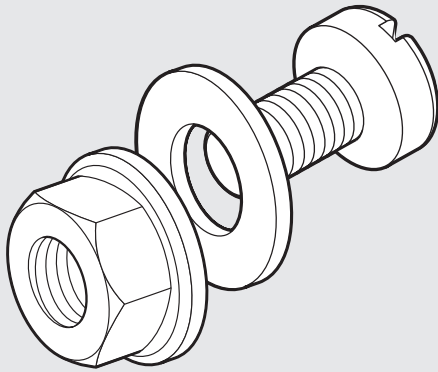
Size	Length (mm)	Part Number
M8	70.0	0120770008VR

Washers

Size (mm)	Part Number
25.0 x 8.4 x 2.0	1020220008CE

Washer Nuts

Size	Part Number
M8	464640



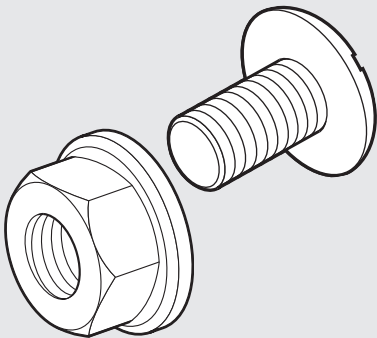
Board Fixings

Slotted Mushroom Head Screw

Size	Length (mm)	Part Number
M6	25.0	0170480008CC

Washer Nuts

Size	Part Number
M6	464638

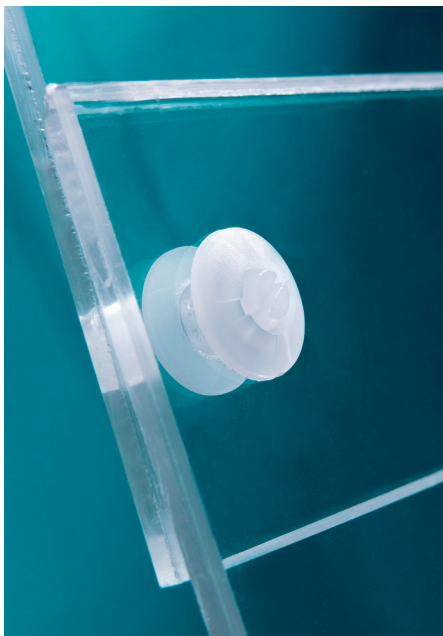
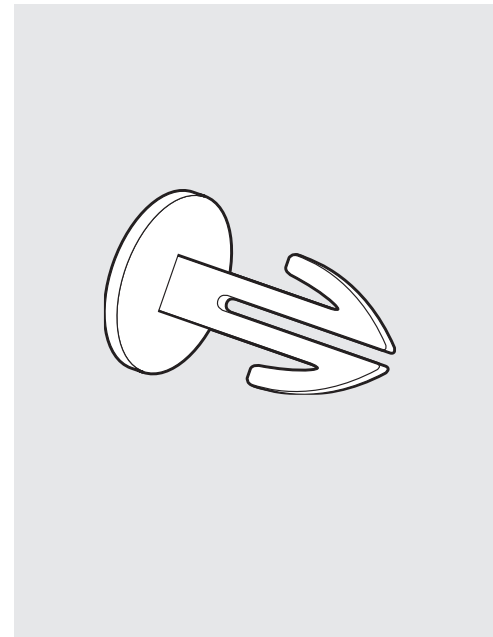




Thumb Snaps Polypropylene or LDPE

- Ideal for rapid construction of display units
- 12mm Diameter Head

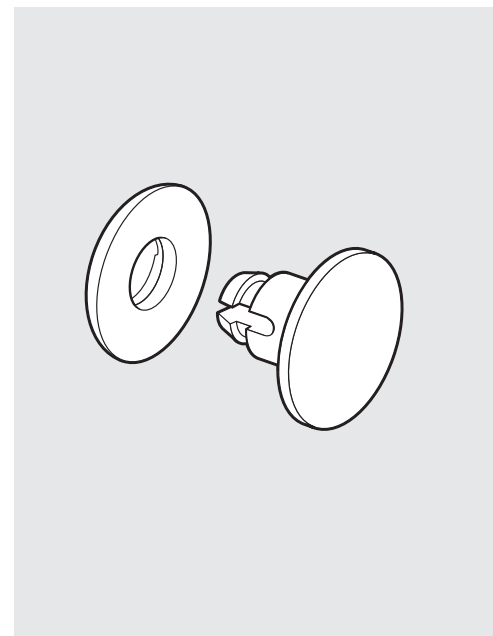
Grip Capacity (mm)	Material	Part Number
4.2	PP	496943
7.2	PP	496944
10.2	PP	496945
12.5	LDPE	469146



POP Snaps Natural LDPE

- Ideal for rapid construction of display units
- Fits 8mm hole

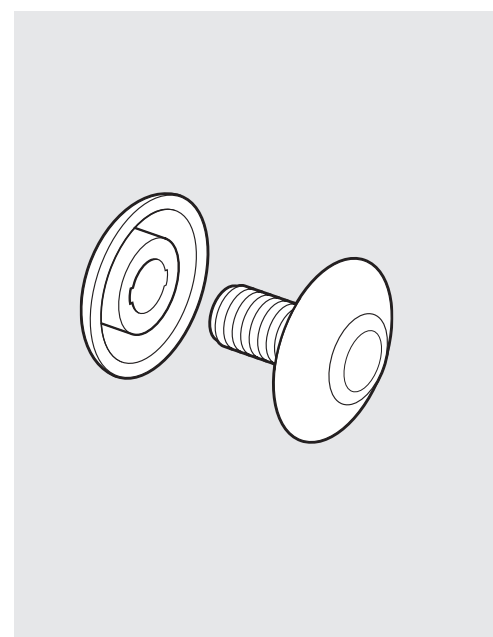
Grip Capacity (mm)	Part Number
3.0	469147
6.0	469148
10.0	469149
12.5	469150

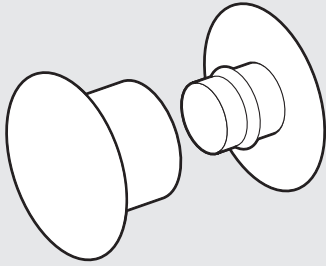


Rivet Fasteners with Hole Natural LDPE

- Central hole allows thread or string to pass through; ideal for hanging display materials

Grip Capacity (mm)	Part Number
5.0	469117

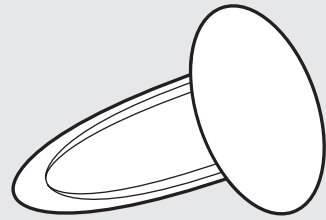
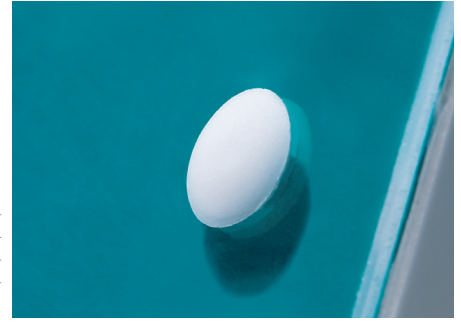




Push Clips White Nylon 6.6

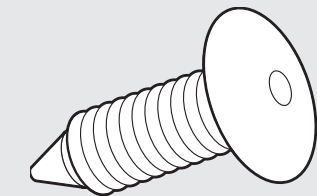
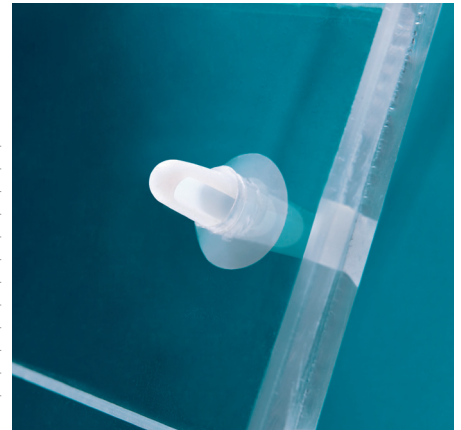
- Head diameter 10mm
- Suitable for 6mm hole diameter

Max Panel Thickness (mm)	Part Number White ○	Part Number Black ●
2.2	8201020008VR	8201020001VR
3.2	8201030008VR	8201030001VR
4.2	8201040008VR	8201040001VR
5.2	8201050008VR	8201050001VR






Arrow Clips Natural Nylon 6.6

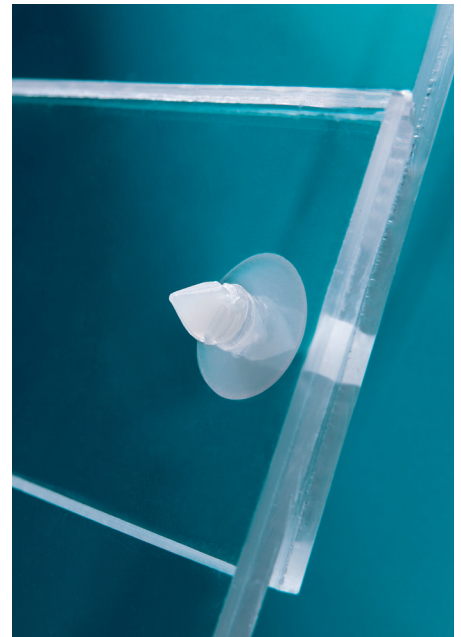
Hole Diameter (mm)	Panel Thickness (mm)	Head Diameter (mm)	Part Number
3.0 - 3.4	1.6 - 3.2	6.9	460389
3.8 - 4.1	1.6 - 3.7	7.1	460391
4.1 - 4.2	0.8 - 3.2	7.1	460392
4.6 - 4.9	1.6 - 3.2	9.1	460393
4.6 - 4.9	4.2 - 4.7	9.5	460394
4.6 - 4.9	7.9 - 8.4	9.4	460395
5.4 - 5.7	1.6 - 3.2	9.4	460396
5.4 - 5.7	3.2 - 4.8	9.4	460397
6.4 - 6.6	3.2 - 6.4	12.7	460398
6.4 - 6.6	9.1 - 9.7	15.6	460399
8.4 - 8.6	3.2 - 8.9	17.5	460400
8.5 - 8.8	1.6 - 3.6	22.0	460401



Barbed Push Fasteners Nylon 6.6

- Ideal for threaded, non-threaded, drilled or punched holes
- Low profile head

Hole Dia (mm)	Panel Thickness (mm)	Head Dia. (mm)	Natural  Part Number	Black  Part Number	Clear  Part Number
2.7-3.3	1.5-4.0	6.0	167201000002	167201069902	-
2.7-3.3	1.5-8.0	6.0	167201500002	167201569902	-
2.7-3.3	1.5-15.0	6.0	167202000002	167202069902	-
3.0-3.2	4.0-16.5	5.5	468833	468809	497394
3.3-4.2	1.5-4.5	10.0	167203000002	167203000002	-
3.5	0.7-5.0	9.1	468835	468811	497394
4.1-5.2	1.0-2.5	12.0	167204000002	167204069902	-
4.1-5.2	1.5-5.5	12.0	167204500002	167204569902	-
4.1-5.2	2.0-10.0	12.0	167205000002	167205069902	-
4.8	0.6-9.23	9.5	-	460436	-
4.8	0.8-8.4	11.1	-	460437	-
4.8	0.7-13.0	11.0	468837	468813	495222
4.9	2.4-7.4	11.2	-	463609	-
5.0	1.2-6.0	16.0	468838	468814	-
5.0	1.7-8.0	11.0	468839	468815	-
5.6-6.4	2.0-7.0	13.0	167206000002	167206069902	-
5.6-6.4	1.5-15.0	13.0	167206500002	167206569902	-
5.6-6.4	1.0-27.0	13.0	167207000002	167207069902	-
5.9-7.2	2.0-5.5	17.0	167208000002	167208069902	-
5.9-7.2	1.0-10.0	17.0	167208500002	167208569902	-
5.9-7.2	2.0-19.0	17.0	167209000002	167209069902	-
6.0	2.0-8.0	15.5	468840	468816	497395
6.0	2.5-8.0	16.0	468841	468817	497396
6.0	3.5-19.0	12.7	468843	468819	-
6.0-6.3	2.3-8.9	17.8	468844	468820	495223
6.0-6.3	2.5-12.0	17.8	468845	468821	495221
6.35	2.7-7.6	17.8	-	460439	-
6.35	3.8-13.5	17.8	-	460440	-
6.4	2.7-7.3	19.1	468848	468824	495225
6.4	10.7-28.8	17.8	-	-	495224
6.8-8.3	1.5-9.0	13.0	167210000002	167210069902	-
7.0	2.0-25.0	30.0	468850	468826	495227
7.0	0.7-20.0	18.0	-	-	495226
7.0-7.2	2.4-11.9	15.9	468852	468828	-
7.8	2.4-12.7	15.9	-	460441	-
7.2	1.5-14.0	19.0	495232	495230	497397
7.2	1.5-25.4	19.0	495233	495231	-
7.5	2.7-17.0	19.0	-	468799	497398
8.0	3.3-12.7	12.7	468853	468829	-
8.7	1.4-13.0	16.0	-	468830	-
10.0	1.5-20.0	21.8	468855	468831	-

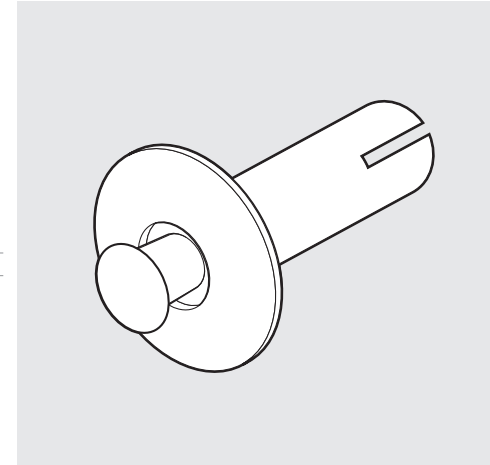




Transparent Push Rivets Polycarbonate

- High transparency fastener
- Can be mounted by fingertip pressure or using a soft plastic hammer
- Clear

Hole Dia (mm)	Panel Thickness (mm)	Part Number
4.1	1.2-1.7	094202000022
4.1	10.5-11.5	094250000022



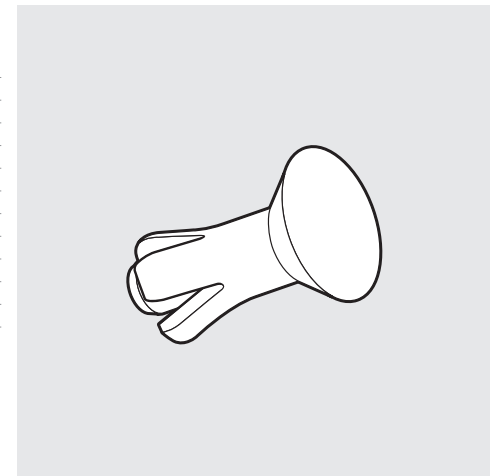
Push Rivets Natural Nylon

- Fast, economical & permanent
- Rivet expands for secure tight fit



Hole Diameter (mm)	Panel Thickness (mm)	Height (mm)	Part Number
3.0	1.0 - 4.0	5.7	093011000002
3.5	1.0 - 5.0	6.8	093012000002
4.0	1.5 - 6.0	7.9	093013000002
4.0	4.0 - 6.5	8.0	093000500002
4.1	0.6 - 4.5	6.0	093002200002
4.8	4.0 - 8.7	11.0	093000800002
5.0	1.5 - 7.0	9.2	093014000002
6.0	2.0 - 8.0	10.5	093015000002
6.4	4.0 - 9.5	12.0	093002600002
7.0	2.5 - 9.0	11.8	093016000002
7.1	4.0 - 12.0	17.5	093001800002
8.0	3.0 - 10.0	13.0	093017000002

Other sizes are available please call for details



Ratchet Rivets Clear Polycarbonate

- Firm fastening for a range of panel thicknesses

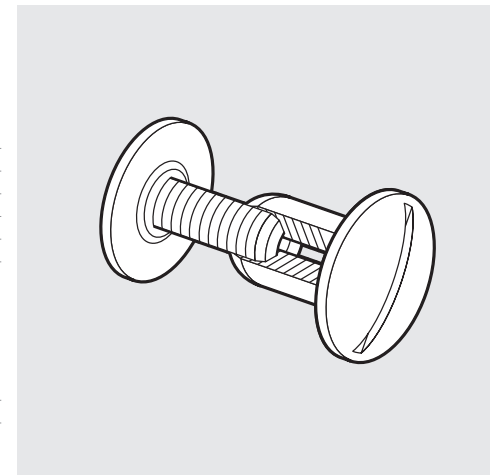


12mm Head with slot

Panel Thickness (mm)	Shaft Diameter (mm)	Clip Length (mm)	Part Number
5.3 - 7.5	5.0	5.5	8100671700VR
9.0 - 13.0	5.0	9.0	8100681700VR
13.0 - 20.0	5.0	13.0	8100691700VR
18.0 - 28.0	5.0	18.0	8100661700VR
20.0 - 34.0	5.0	20.0	8100701700VR
13.0 - 20.0	7.0	13.0	8100711700VR

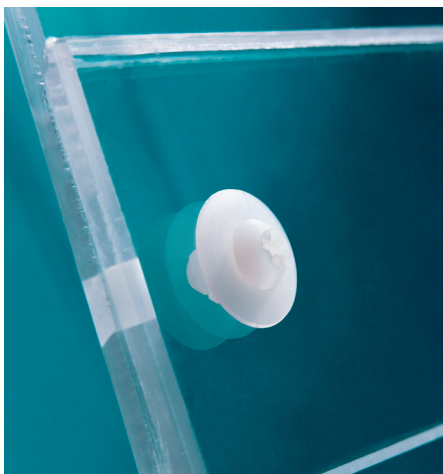
20mm Rounded Head with slot

Panel Thickness (mm)	Shaft Diameter (mm)	Clip Length (mm)	Part Number
8.7 - 11.5	9.7	8.5	8170821700VR
18.0 - 25.0	9.7	16.0	8170841700VR



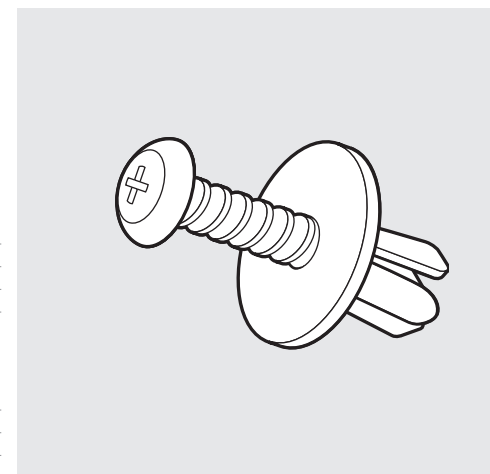
Screw Rivets Nylon 6.6

- Removable fast & strong connection
- Easy & re-usable fastening
- Apply with hammer – remove with crosshead screwdriver



Hole Diameter (mm)	Panel Thickness (mm)	Head Diameter (mm)	Black ● Part Number
5.0	2 - 7	12.5	113105059902
6.0	2 - 8	15.0	113106059902
7.0	3 - 9	17.5	113107059902
8.0	3 - 10	20.0	113108059902

Hole Diameter (mm)	Panel Thickness (mm)	Head Diameter (mm)	Natural ⊗ Part Number
5.0	2 - 7	12.5	113105000002
6.0	2 - 8	15.0	113106000002
7.0	3 - 9	17.5	113107000002
8.0	3 - 10	20.0	113108000002

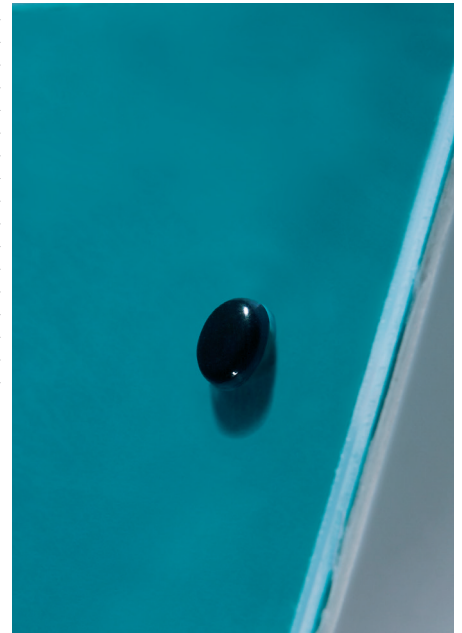
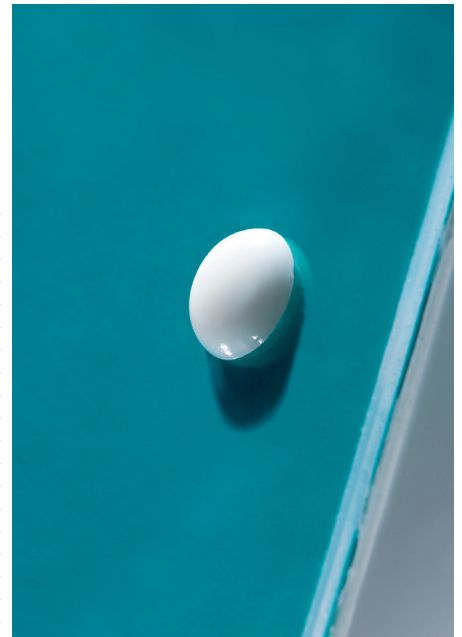


Round Head Snap Rivets

Black or White Nylon

- Snap rivets press neatly into position using thumb pressure

Hole Diameter (mm)	Panel Thickness (mm)	Part Number Black ●	Part Number White ○
2.1	0.6 - 1.2	463202	463215
2.1	1.3 - 2.0	463203	463216
2.1	2.1 - 2.8	463204	463217
2.1	2.9 - 3.6	463205	463218
2.7	1.0 - 2.0	32505	39143
2.7	2.1 - 3.0	32506	39144
2.7	2.7 - 3.6	463206	463219
2.7	3.4 - 4.3	32507	39145
3.1	1.0 - 2.0	32508	39103
3.1	2.0 - 3.0	32509	39125
3.1	3.0 - 4.0	32510	39126
3.1	4.0 - 5.0	32511	34024
3.1	5.0 - 6.0	463207	463220
3.1	5.5 - 6.5	32512	39147
3.1	6.5 - 7.5	463208	463221
3.1	7.5 - 8.5	463209	463222
3.6	1.2 - 2.1	463210	463223
3.6	2.2 - 3.1	32513	39148
3.6	2.7 - 3.6	463211	463224
3.6	3.2 - 4.1	32514	39150
3.6	3.7 - 4.6	463212	463225
3.6	4.5 - 5.5	32515	31644
3.6	5.7 - 6.6	463213	463226
4.1	2.5 - 3.5	32516	39151
4.1	3.5 - 4.5	32517	39158
4.1	4.5 - 5.5	32518	32704
4.1	5.5 - 6.5	32519	39152
4.1	7.5 - 8.5	32520	34718
5.1	1.5 - 2.5	32521	39153
5.1	2.5 - 3.5	32522	39154
5.1	3.5 - 4.5	32523	39155
5.1	4.5 - 5.5	32524	32707
5.1	5.5 - 6.5	32525	39156
5.1	6.5 - 7.5	32526	39157
5.1	7.5 - 8.5	32527	31741
6.1	2.5 - 4.0	32528	36422
6.1	4.0 - 5.5	463214	463227

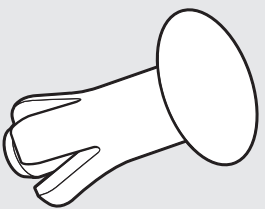
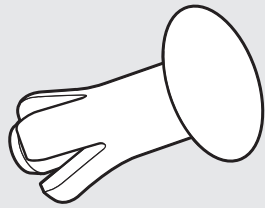
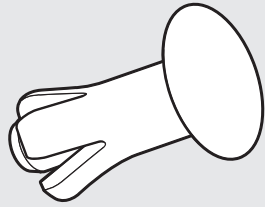


Countersunk Head Snap Rivets

Black Nylon ●

- Ideal for flush fit.

Hole Diameter (mm)	Panel Thickness (mm)	Head Diameter (mm)	Part Number
3.1	1.0 - 2.0	6.4	39135
3.1	2.0 - 3.0	6.4	39136
3.1	3.0 - 4.0	6.4	39137
3.1	4.0 - 5.0	6.0	39138
3.1	5.0 - 6.5	6.0	39139
3.6	2.0 - 3.0	6.4	39140
3.6	3.0 - 4.0	6.0	39141
3.6	4.5 - 5.0	6.0	39142



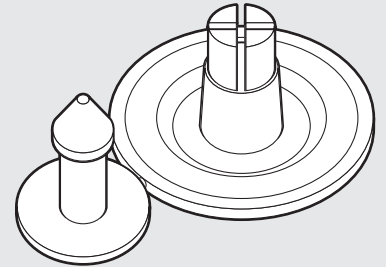
► POS DISPLAY COMPONENTS



Spread Rivets

- Fixing Rivet for multiple panels
- Available in Clear, White or Black
- Type 1 assembles up to 14mm
- Type 2 assembles up to 21mm

Dia. (mm)	Hole size (mm)	Type	Colour	Part Number
28.8	8	1	Clear	496946
28.8	8	1	White	496947
28.8	8	1	Black	496948
28.8	8	2	Clear	496949
28.8	8	2	White	496950
28.8	8	2	Black	496951

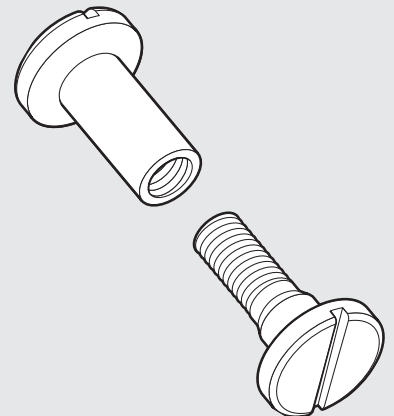


Book Screws

Black Nylon ●

Binding Capacity (mm)	Hole Diameter (mm)	Part Number	
		Male	Female
10.0	6.0	082041011401	081041011401
15.0	6.0	082041011401	081041511401
20.0	6.0	082041011401	081042011401
25.0	6.0	082041011401	081042511401
30.0	6.0	082041011401	081043011401
10.0	7.0	082051011401	081051011401
15.0	7.0	082051511401	081051011401
20.0	7.0	082052011401	081051011401
25.0	7.0	082052611401	081051011401
30.0	7.0	082053011401	081051011401
40.0	7.0	082054011401	081051011401
25.0	8.0	082062559901	081061659901
30.0	8.0	082063059901	081061659901
36.0	8.0	082063659901	081061659901
39.0	8.0	082063959901	081061659901
48.0	8.0	082064859901	081061659901

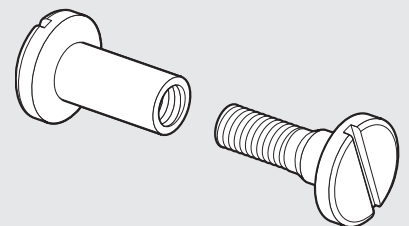
Items suitable for 8mm hole diameter have exposed thread when assembled. Other sizes are available please call for details



Book Screws

White Nylon ○

Binding Capacity (mm)	Hole Diameter (mm)	Part Number	
		Male	Female
10.0	6.0	082041011301	081041011301
15.0	6.0	082041011301	081041511301
20.0	6.0	082041011301	081042011301
25.0	6.0	082041011301	081042511301
30.0	6.0	082041011301	081043011301
10.0	7.0	082051011301	081051011301
15.0	7.0	082051511301	081051011301
20.0	7.0	082052011301	081051011301
25.0	7.0	082052611301	081051011301
30.0	7.0	082053011301	081051011301
40.0	7.0	082054011301	081051011301
25.0	8.0	082062550001	081061650001
30.0	8.0	082063050001	081061650001
36.0	8.0	082063650001	081061650001
39.0	8.0	082063950001	081061650001
48.0	8.0	082064850001	081061650001



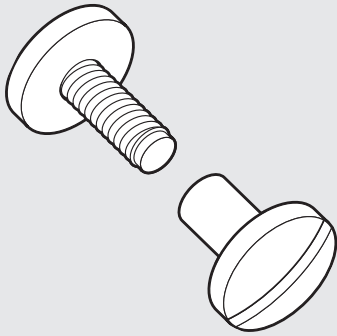
Binder Screws

HDPE

- M4 thread 5mm hole minimum hole diameter
- Head diameter 12mm
- Head thickness 2.6mm

Female Screw-in Length (mm)	Male Screw Length (mm)	Part Number	
		White ○	Black ●
5.0	5.0	0191010908VR	0191010901VR
8.0	5.0	0191040908VR	0191040901VR
10.0	5.0	0191050908VR	0191050901VR
15.0	10.0	0191070908VR	0191070901VR
20.0	10.0	0191080908VR	0191080901VR
25.0	10.0	0191090908VR	0191090901VR
30.0	10.0	0191100908VR	0191100901VR
35.0	10.0	0191110908VR	0191110901VR
40.0	10.0	0191120908VR	0191120901VR
50.0	10.0	0191140908VR	0191140901VR

Other sizes are available please call for details



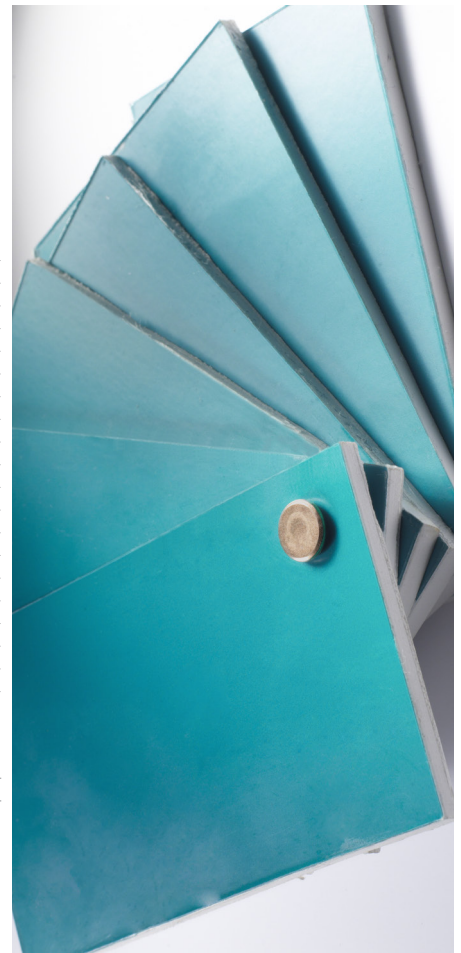
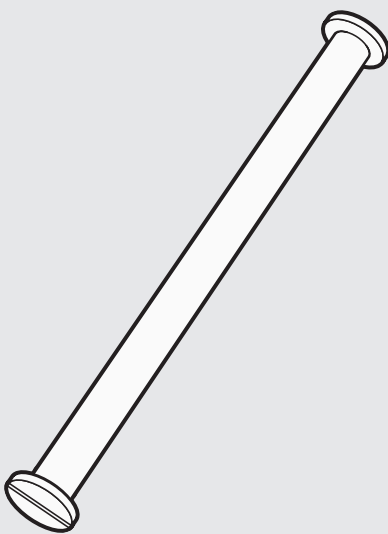
Metal Binder Screws

Steel

- 9mm Head Diameter
- Available in Nickel, Brass plated or a Black finish
- Separate male & female parts

Binder Screw Nickel Plated	Female Brass Plated	Black	Length (mm)
497101	497121	497141	5
497102	497122	497142	10
497103	497123	497143	15
497104	497124	497144	20
497105	497125	497145	25
497106	497126	497146	30
497107	497127	497147	35
497108	497128	497148	40
497109	497129	497149	45
497110	497130	497150	50
497111	497131	-	55
497112	497132	-	60
497113	497133	-	65
497114	497134	-	70
497115	497135	-	75
497116	497136	-	80
497117	497137	-	85
497118	497138	-	90
497119	497139	-	95
497120	497140	-	100

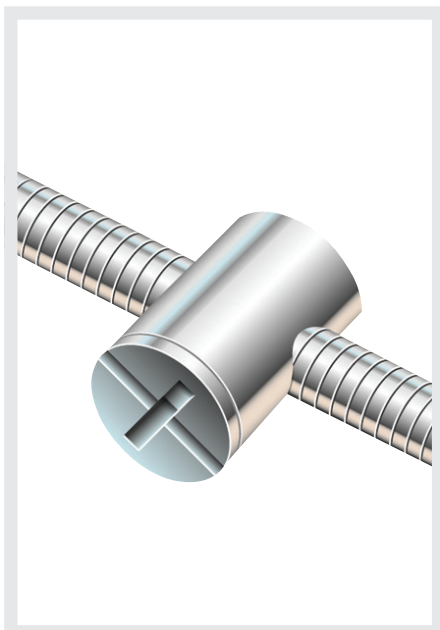
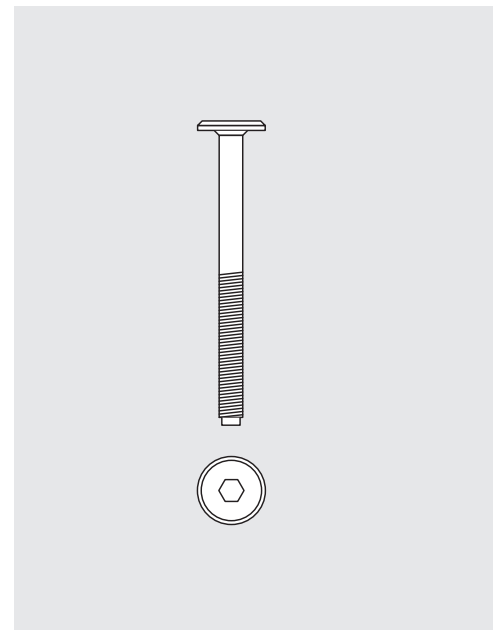
Binder Screw Nickel Plated	Male Brass Plated	Black	Length (mm)
497219	497220	497221	3
497222	497223	497224	6





Joint Connector Bolts – Type BB

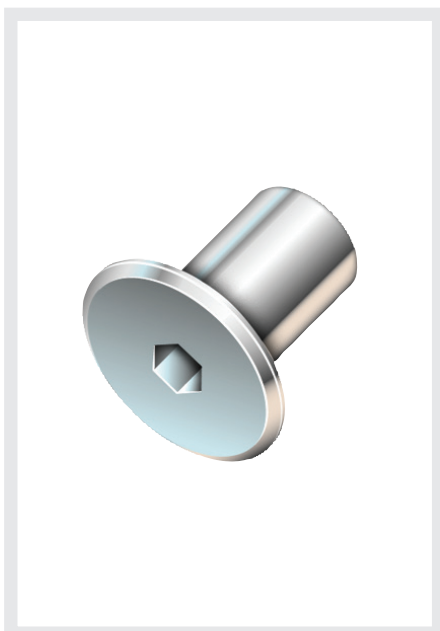
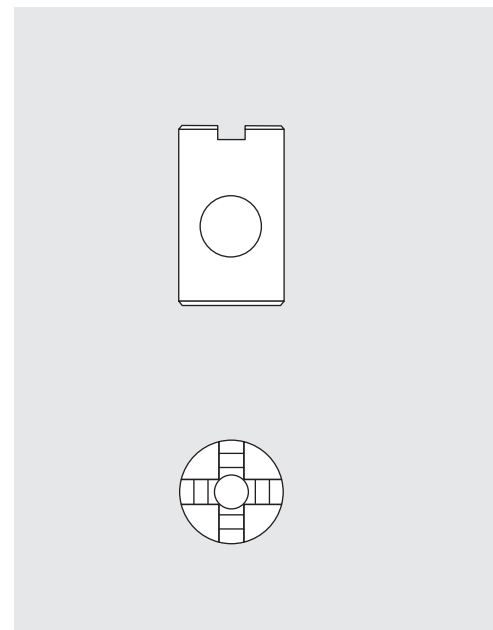
Thread Size	Length (mm)	Thread Length (mm)	Part Number
M6	20	20	463162
M6	30	20	463163
M6	40	30	463164
M6	50	40	463165
M6	60	40	463166
M6	80	40	463168
M6	100	40	463170
M8	40	30	463180
M8	50	40	463181
M8	60	40	463182
M8	80	40	463184
M8	100	40	463186



Cross Dowel Barrel Nuts

- Designed for use with Joint Connector Bolts where a right angle connection is needed

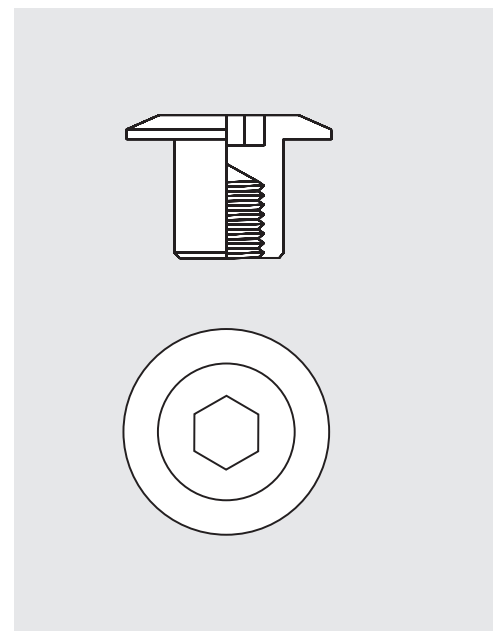
Thread Size	Length (mm)	Dia. (mm)	Board Thickness (mm)	Part Number
M6	13	10	16	463138
M6	16	10	19	463139
M8	20	10	22-25	463140
M6	18	12	19-25	463141



Joint Connector Nuts Steel – Zinc Plated

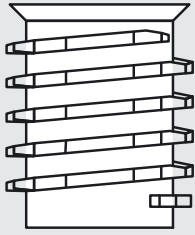
- Designed for use with Joint Connector Bolts
- Easily applied with a Moss Allen Key #5

Thread Size	Length (mm)	Diameter (mm)	Part Number
M6	12	10	463194
M6	15	10	463195
M6	17	10	463196
M8	17	12	463197

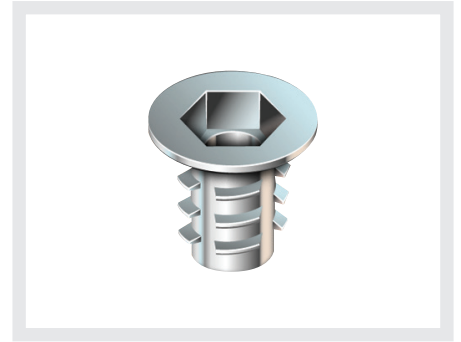


Cone-Shaped D Insert Nuts Silver Zinc Alloy

- Provide a strong & permanent thread into wood or wood-based products



Thread Size	Length (mm)	Dia. (mm)	Shaft Dia. (mm)	Part Number
M6	10	11.5	8	462543
M6	13	11.5	8	462544
M6	20	11.5	8	462545
M6	25	11.5	8	462546
M6	13	14.5	11	462547
M6	18	14.5	11	462548
M6	20	14.5	11	462549
M6	25	14.5	11	462550



HERE ARE JUST A FEW OF OUR NEW PRODUCTS



ADHESIVE TAPES & PADS



Adhesive Hanging Tabs

▶ See page 75

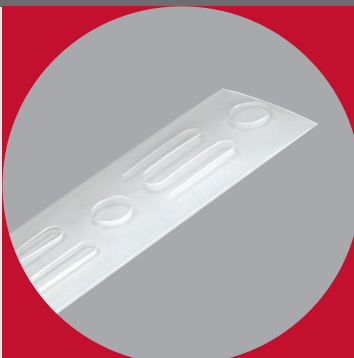


REQUEST OUR FULL COMPONENTS CATALOGUE OF OVER 28,000 PRODUCTS

MERCHANDISING

Hanging Strips

See page 91 ◀



Cable Display Systems

See pages 96-97 ◀





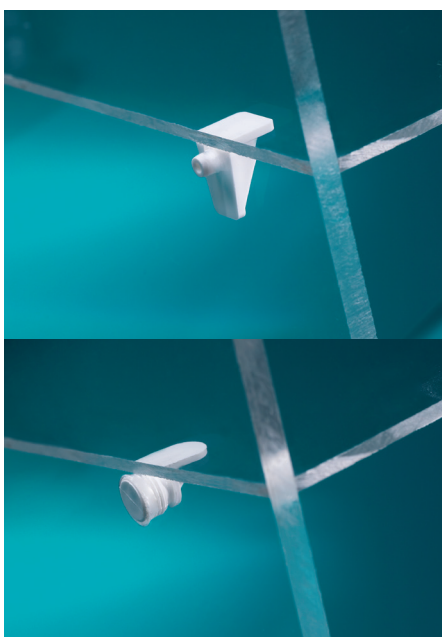
Corrugated Shelf Clips
White Plastic

Part Number
469071



Full Width Shelf Support Beams (500mm long)
Dark Brown Plastic

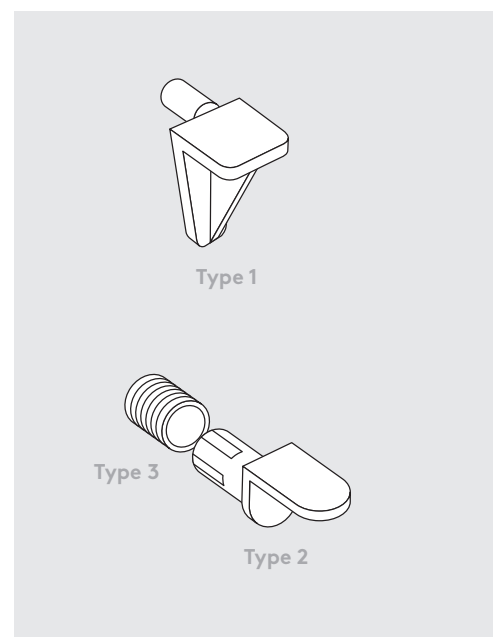
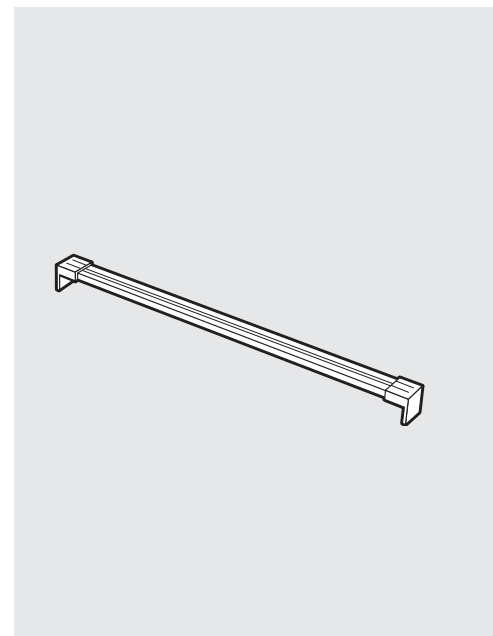
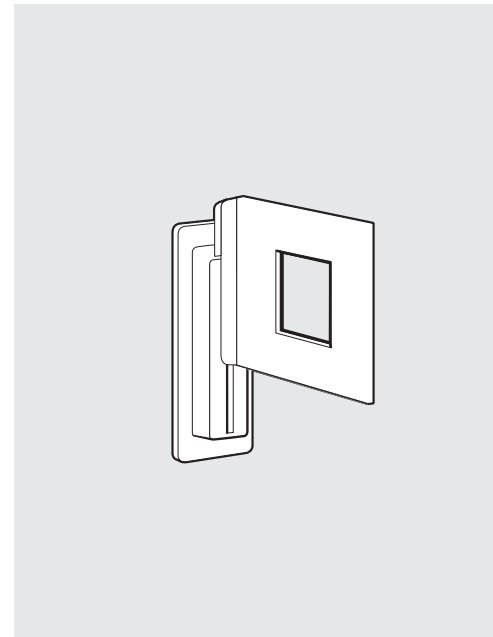
Part Number
469073



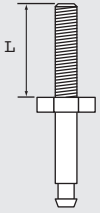
Shelf Bearers/Worktop Blocks
SR 1595
White Polypropylene

- Designed to hold shelves securely in place
- Ideal for use in glass display units
- Quick & easy to assemble

Size & Description	Type	Part Number
Large Polypropylene shelf bearer with 5mm fixing	1	464208
Polypropylene shelf bearer	2	50741
Polypropylene socket for 50741	3	51071



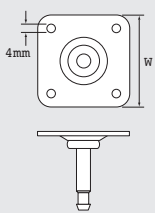
Fitting Options



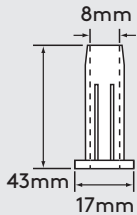
Threaded



Gripneck

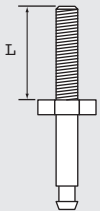


Plate



Plastic Socket

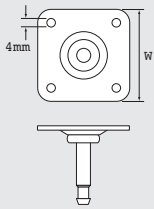
Fitting Options



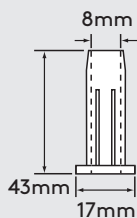
Threaded



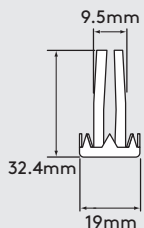
Gripneck



Plate



Plastic Socket



Metal Socket

Twin Wheel Castors

Black Nylon

- Spark eroded finish
- Easy glide action
- Choice of mounting stems
- Standard & heavy duty version available

32mm Hooded Twin Wheel Castors

Wheel Dia (mm)	Hooded Option	Braked Option	Max. Static Load Bearing (kg)	Part Number
32	Yes	No	30	500300

32mm Hooded Twin Wheel Castor Fittings

Type	Dimensions (mm)	Part Number
Plate Fixing	35x35 (W)	500318
Threaded Stem	M8x15 (L)	500319
Threaded Stem	M8x25 (L)	500321
Gripneck Stem	38 (L)	500320
Plastic Socket for Gripneck Stem	-	500316

40mm Unhooded Twin Wheel Castors

Wheel Dia. (mm)	Hooded Option	Braked Option	Max. Static Load Bearing (kg)	Part Number
40	No	No	50	500301

40mm Unhooded Twin Wheel Castor Fittings

Type	Dimensions (mm)	Part Number
Plate Fixing	35x35 (W)	500323
Threaded Stem	M8x15 (L)	500322
Threaded Stem	M8x25 (L)	500325
Gripneck Stem	38 (L)	500324
Plastic Socket for Gripneck Stem	-	500316

40mm Hooded Twin Wheel Castors

Wheel Dia. (mm)	Hooded Option	Braked Option	Max. Static Load Bearing (kg)	Part Number
40	Yes	No	44	500302
40	Yes	Yes	44	500303
40	Yes	No	50	500304
40	Yes	Yes	50	500305

40mm Hooded Twin Wheel Castor Fittings

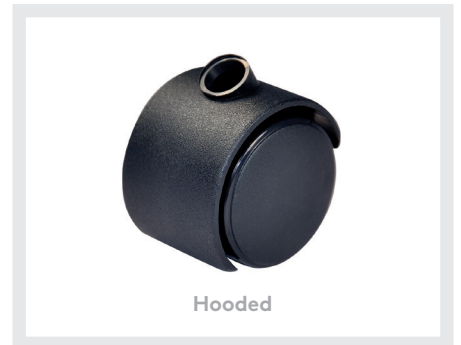
Type	Dimensions (mm)	Part Number
Plate Fixing	35x35 (W)	500323
Threaded Stem	M8x15 (L)	500322
Threaded Stem	M8x25 (L)	500325
Gripneck Stem	38 (L)	500324
Plastic Socket for Gripneck Stem	-	500316

50mm Hooded Twin Wheel Castors

Wheel Dia. (mm)	Hooded Option	Braked Option	Max. Static Load Bearing (kg)	Part Number
50	Yes	No	60	500306
50	Yes	Yes	60	500307
50	Yes	No	80	500308
50	Yes	Yes	80	500309

50mm Hooded Twin Wheel Castor Fittings

Type	Dimensions (mm)	Part Number
Plate Fixing	35x35 (W)	500311
Threaded Stem	M8x15 (L)	500310
Threaded Stem	M8x25 (L)	500313
Threaded Stem	M10x15 (L)	500314
Threaded Stem	M10x25 (L)	500315
Gripneck Stem	38 (L)	500312
Plastic Socket for Gripneck Stem	-	500316
Metal Socket for Gripneck Stem	-	500317



The weight loadings quoted in this catalogue are for guide purposes only & assume that castors are used in a normal operating environment with floors in a smooth & reasonable condition. Uneven or irregular floors will cause increased shock loadings. Castors of higher load-bearing capacity must be specified in these situations. Castor loading capacity can be seriously impaired if castors are misused or poorly maintained, e.g. if used outside normal operating temperatures &/or if used in caustic environments.

► POS DISPLAY COMPONENTS



Style 1 - Nylon

Swivel Castor Nylon

- Easy glide action
- Choice of Black or Natural Nylon
- All supplied with gripneck stem
- Braked style has auto-locked feature - the brake works when pressure is applied

Style 1 - Black Nylon

Wheel Dia.(mm)	Hooded	Braked	Approx Load Capacity (kg)	Part Number
50	Yes	No	60	497153
50	Yes	Yes	60	497154
50	Yes	No	100	497151*

* Natural Nylon

Style 2 - Black Nylon

Wheel Dia.(mm)	Hooded	Braked	Approx Load Capacity (kg)	Part Number
50	Yes	No	60	497403
50	Yes	Yes	60	497405
60	No	No	60	497160

Style 3 - Black Polyurethane

Wheel Dia.(mm)	Hooded	Braked	Approx Load Capacity (kg)	Part Number
50	Yes	No	60	497404
50	Yes	Yes	60	497406
60	No	No	60	497402



Style 2 - Black Nylon



Style 3 - Black Polyurethane



Type 1 - Fixed Plate

Thermoplastic Castor

- Twin wheel castor with thermoplastic polymer wheel and swivel housing
- A choice of plate, threaded stem & knurled stem fitting
- Threaded Stem has an M8 thread
- Knurled stem fitting is suitable for wood
- Technical drawings available online

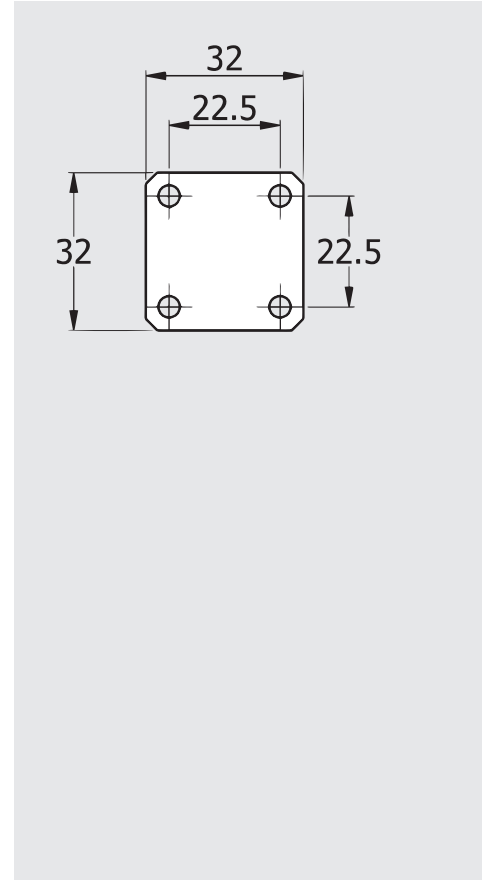
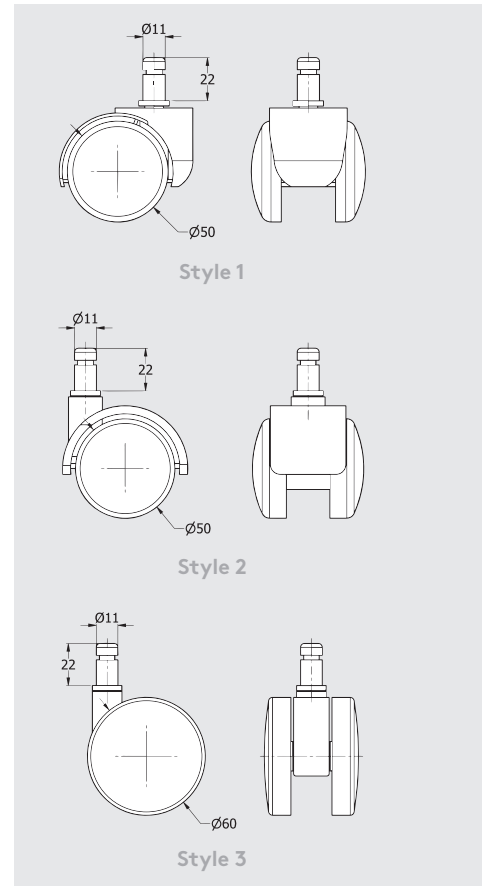
Wheel Dia.(mm)	Type	Part Number
35	1	499625
45	1	499626
35	2	499627
45	2	499628
35	3	499629
45	3	499630



Type 2 - Threaded Stem



Type 3 - Knurled Stem

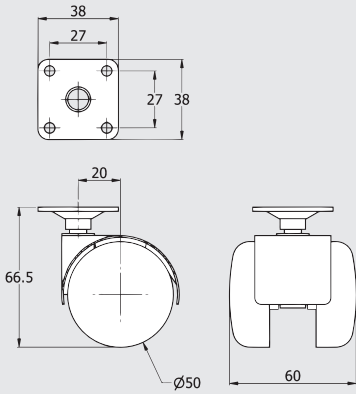


The weight loadings quoted in this catalogue are for guide purposes only & assume that castors are used in a normal operating environment with floors in a smooth & reasonable condition. Uneven or irregular floors will cause increased shock loadings. Castors of higher load-bearing capacity must be specified in these situations. Castor loading capacity can be seriously impaired if castors are misused or poorly maintained, e.g. if used outside normal operating temperatures &/or if used in caustic environments.

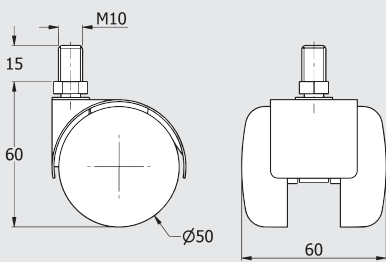
Metal Hooded Castor Nylon wheel with gloss metallic hood

- Twin Wheel Nylon Castor
- A choice of Swivel plate, Threaded or Knurled fittings

Wheel Dia. (mm)	Max Static Load Bearing (kg)	Type	Part Number
50	35	1	499631
50	35	2	499632



Type 1



Type 2



Type 1

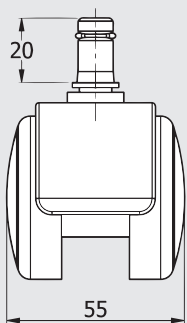
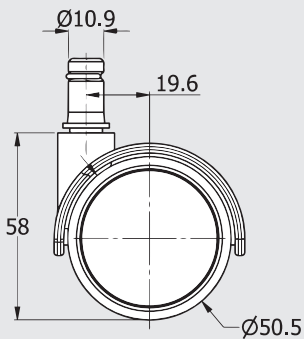


Type 2

Grey Castor

- Grey thermoplastic wheel with grey finished steel housing
- Grip neck stem fitting
- Click in design suitable for quick installation

Wheel Dia. (mm)	Approx Load Capacity (kg)	Part Number
50	35	499652



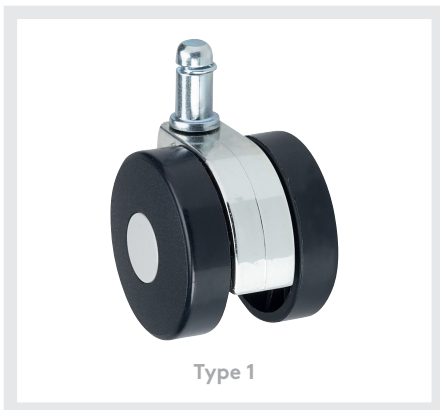
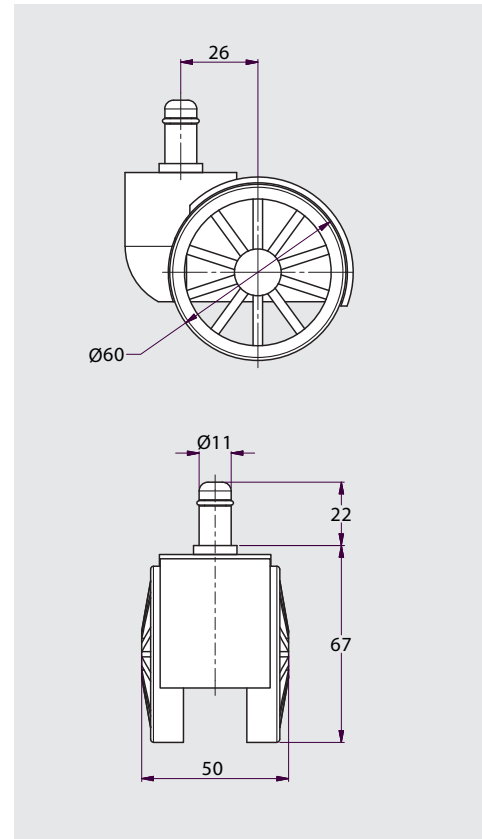
The weight loadings quoted in this catalogue are for guide purposes only & assume that castors are used in a normal operating environment with floors in a smooth & reasonable condition. Uneven or irregular floors will cause increased shock loadings. Castors of higher load-bearing capacity must be specified in these situations. Castor loading capacity can be seriously impaired if castors are misused or poorly maintained, e.g. if used outside normal operating temperatures &/or if used in caustic environments.



Spoke Wheel Castor Nylon Castor

- Grip Neck Fitting
- 10 Spoke castor
- Black wheel and silver hood

Approx Load Capacity (kg)	Part Number
55	551067



Black/Silver Furniture Castor Nylon Castor

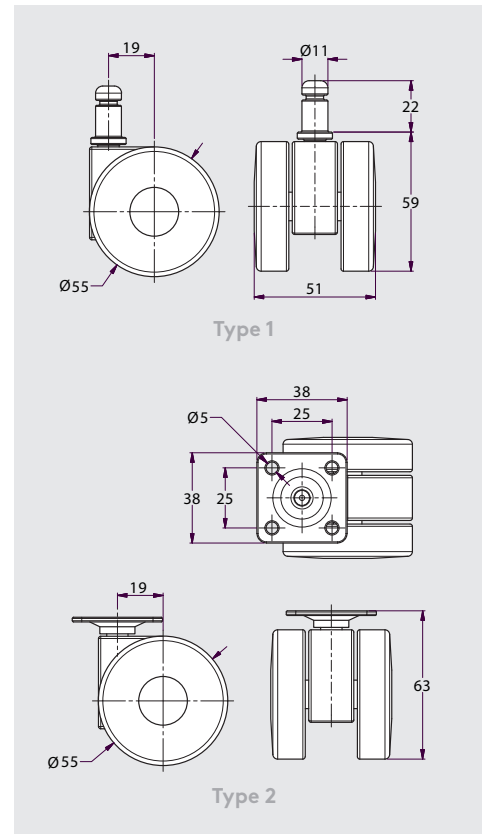
- Black wheel castor with silver centre
- Gripneck or Swivel Plate fixing
- Ideal for furniture, such as office equipment, beds and sofas

Type	Approx Load Capacity (kg)	Part Number
1	55	551069
2	55	551068

Type 1



Type 2



Type 1

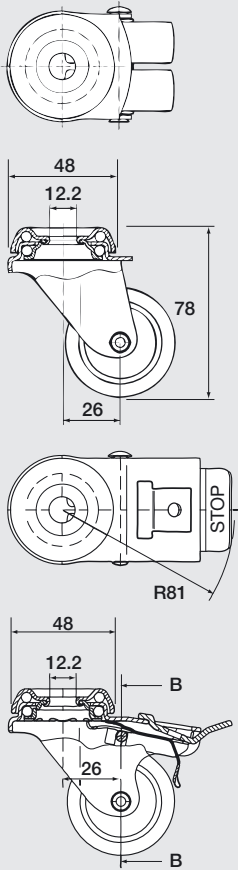
Type 2

The weight loadings quoted in this catalogue are for guide purposes only & assume that castors are used in a normal operating environment with floors in a smooth & reasonable condition. Uneven or irregular floors will cause increased shock loadings. Castors of higher load-bearing capacity must be specified in these situations. Castor loading capacity can be seriously impaired if castors are misused or poorly maintained, e.g. if used outside normal operating temperatures &/or if used in caustic environments.

Black Plastic Twinwheel Castors with Bolt Hole Fitting

- For applications where a low level strong castor is required
- Swivel pressed steel housing with double ball race & bolt hole fitting
- Braked & unbraked available
- Zinc plated steel housing
- Wheel diameter is 50mm
- Approx. load capacity of 70kg
- Bolt hole diameter 12.2mm

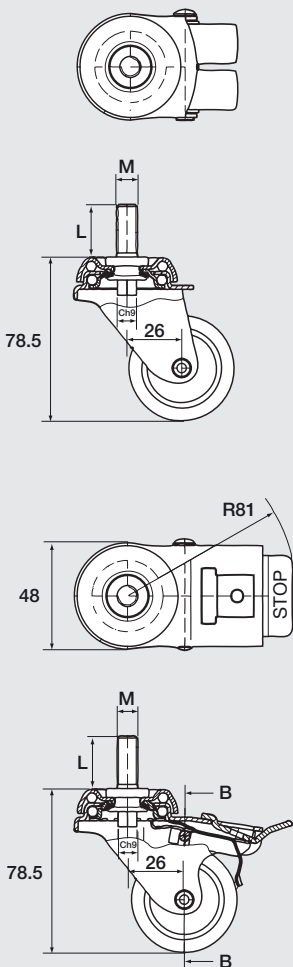
Image No.	Braked Option	Part Number
1	No	491131
2	Yes	491132



Black Plastic Twinwheel Castors with Threaded Stem

- For applications where a low level strong castor is required
- Swivel pressed steel housing with double ball race & bolt hole fitting
- Braked & unbraked available
- Zinc plated steel housing
- Wheel diameter is 50mm
- Approx. load capacity of 70kg

Image No.	Thread Length (mm)	Thread Size (mm)	Braked Option	Part Number
3	25	M10	No	491133
4	25	M10	Yes	491134



Tube Inserts

- Our inserts can be fitted into tubular metal to give a neat, attractive finish
- They are ideal for covering sharp tube edges & can be fitted easily & securely into a variety of gauges
- Ribbed inserts provide a secure easily assembled fitting
- Supplied with eroded head unless specified
- Mid Grey similar to RAL 7042
- Dark Grey similar to RAL 7011

Square

Part Number	Part Number	Part Number	Part Number	Tube Size	Wall Thickness
Black ●	White ○	Mid Grey ●	Dark Grey ●	(mm)	(mm)
111212	-	-	-	13 x 13	0.8 - 2.0
111539	111615	111691	111767	15 x 15	0.8 - 2.0
111213	111231*	111267*	111321	16 x 16	0.8 - 2.5
111286	111232*	111286	111332	19 x 19	0.8 - 2.5
111215	111233*	111287	111323	20 x 20	0.8 - 2.5
111216	-	111288	111324	22 x 22	0.8 - 2.5
111217	111235*	111289	111325	25 x 25	1.0 - 2.5
111219	111237*	111291	111327	30 x 30	1.0 - 3.0
111540	111616	111692	111768	32 x 32	1.0 - 3.0
111220	111238*	-	-	35 x 35	1.0 - 3.0
111541	111617	111693	111769	38 x 38	1.0 - 3.0
111221	111239*	111293	111329	40 x 40	1.0 - 3.0
111222	-	111294	111330	45 x 45	1.0 - 3.0
111223	-	111295	111331	50 x 50	1.0 - 3.0
111225	111243*	111815	111817	60 x 60	1.0 - 3.0

* Polished Head

Round

Part Number	Part Number	Part Number	Part Number	Tube Diameter	Wall Thickness
Black ●	White ○	Mid Grey ●	Dark Grey ●	(mm)	(mm)
111527	111603	111679	111755	10	0.8 - 2.0
111528	111604	111680	111756	12	0.8 - 2.0
111054	-	085013062003	-	13	0.8 - 2.0
465610	-	085015062003	-	15	0.8 - 2.0
111055	-	111135	111175	16	0.8 - 2.0
111529	-	111681	111757	18	0.8 - 2.0
111056	-	111136	111176	19	0.8 - 2.0
111057	111077*	111137	111177	20	0.8 - 2.0
111058	111078*	111138	111178	22	0.8 - 2.0
111059	111079*	111139	111179	25	1.0 - 3.0
111063	111083*	111143	111163*	30	1.0 - 3.0
111064	111084*	111144	111164*	32	1.0 - 3.0
111530	111606	111682	-	35	1.0 - 3.0
111067	111107	111147	111187	40	1.0 - 3.0
111534	111610	111686	111762	45	1.0 - 3.0
111068	111108	111148	111188	50	1.0 - 3.0
111070	-	111130*	-	60	1.0 - 3.0

* Polished Head

Rectangular

Part Number	Part Number	Part Number	Part Number	Tube Size	Wall Thickness
Black ●	White ○	Mid Grey ●	Dark Grey ●	(mm)	(mm)
111357	111374*	111408*	111442*	30 x 15	1.0 - 3.0
111361	111378*	111429	111463	40 x 20	1.0 - 3.0
111549	111625	111701	111777	40 x 25	1.0 - 3.0
111362	-	057403062003	-	40 x 30	1.0 - 3.0
111364	-	111432	111466	50 x 25	1.0 - 3.0
111366	111383*	111434	111468	50 x 30	1.0 - 3.0
111367	111401	111418*	111452*	60 x 30	2.0 - 4.0
111368	-	111419*	111453*	60 x 40	2.0 - 4.0

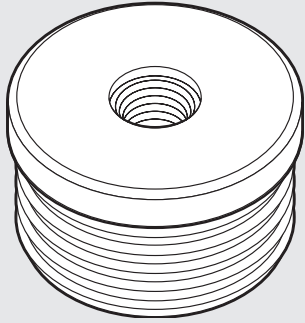
* Polished Head



Metal-Threaded Inserts

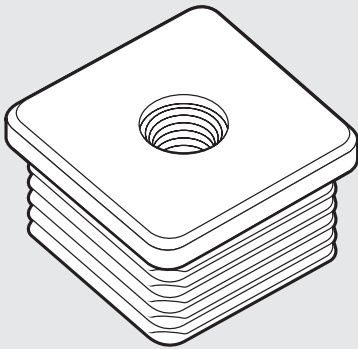
HDPE with Steel Nut

- Heavy-duty insert. Ideal for use with adjustable feet, tilt glides & castors
- Mild steel thread provides strong fixing
- Metal thread allows smooth repeatable adjustment
Wall thickness of 1.0 - 2.0mm
- Head thickness of 5mm. Insert depth of 20mm
- Grey Threaded inserts are similar to Grey RAL 7042



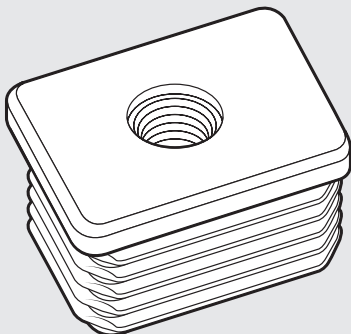
Round

Tube Dia. (mm)	Thread Size	Grey Part Number	Black Part Number
19	M6	551742	498560
20	M6	551747	498561
20	M8	551725	498562
25	M6	551727	498563
25	M8	551726	498564
30	M8	551735	498565
30	M10	551730	498566
32	M8	551731	498567
32	M10	-	498568
35	M8	-	498569
35	M10	551733	498570
38	M8	551734	498571
38	M10	-	498572
38	M12	-	498573
40	M8	551723	498574
40	M10	551738	498575
40	M12	-	498576
50	M8	551721	498577
50	M10	551729	498578
50	M12	551746	498579
60	M8	551748	498580
60	M10	551739	498581
60	M12	-	498582



Square

Tube Size (mm)	Thread Size	Grey Part Number	Black Part Number
19 x 19	M6	551745	498583
20 x 20	M6	-	498584
20 x 20	M8	-	498585
25 x 25	M6	551724	498586
25 x 25	M8	551717	498587
30 x 30	M8	551719	498588
30 x 30	M10	551718	498589
35 x 35	M8	-	498590
35 x 35	M10	551743	498591
40 x 40	M8	551716	498592
40 x 40	M10	551715	498593
40 x 40	M12	551740	498594
50 x 50	M8	551720	498595
50 x 50	M10	551732	498596
50 x 50	M12	-	498597



Rectangular

Tube Size (mm)	Thread Size	Grey Part Number	Black Part Number
30 x 20	M8	551741	498598
30 x 20	M10	-	498599
40 x 20	M8	551737	498600
40 x 20	M10	551749	498601
40 x 30	M8	-	498602
40 x 30	M10	-	498603
50 x 25	M8	-	498604
50 x 25	M10	551744	498605
50 x 30	M8	-	498606
50 x 30	M10	551736	498607
60 x 30	M8	551728	498608
60 x 30	M10	551722	498609



Adjustable Feet

Polypropylene

- Outer-hex slotted head for adjustment
- POZI socket in base for rapid assembly
- Articulating feet allow for adjustment under load with base remaining stationary
- Grey Feet are similar to Grey RAL 7042

25mm Diameter Foot

Black Part Number	Black Part Number	Grey Part Number	Grey Part Number	Thread length (mm) M6	Thread length (mm) M8
Articulating	Non-Articulating	Articulating	Non-Articulating		
466212	466121	-	551695	20	-
466167	466122	551675	551669	-	25
466168	466123	551691	551692	-	40
466169	466124	551705	-	-	55
466170	466125	551694	-	-	70



30mm Diameter Foot

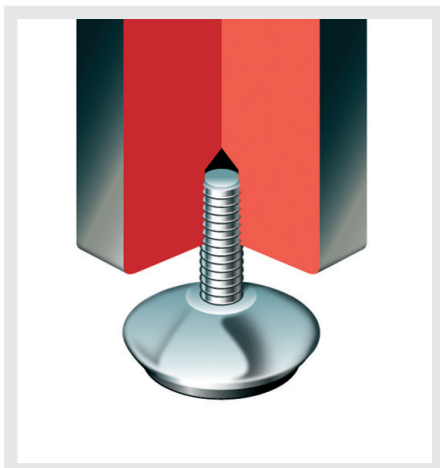
Black Part Number	Black Part Number	Grey Part Number	Grey Part Number	Thread length (mm) M8	Thread length (mm) M10
Articulating	Non-Articulating	Articulating	Non-Articulating		
466172	466127	-	551681	25	-
466173	466128	551682	551699	40	-
466174	466129	-	-	55	-
466175	466130	-	-	70	-
466177	466132	551686	551689	-	25
466178	466133	551706	551676	-	40
466179	466134	551677	551702	-	55
466180	466135	551673	551688	-	70
466181	466136	551707	-	-	100



38mm Diameter Foot

Black Part Number	Black Part Number	Grey Part Number	Grey Part Number	Thread length (mm) M8	Thread length (mm) M10
Articulating	Non-Articulating	Articulating	Non-Articulating		
466182	466137	551696	-	25	-
466183	466138	551685	551670	40	-
466184	466139	-	-	55	-
466185	466140	-	551672	70	-
466186	466141	-	-	100	-
466187	466142	551683	-	-	25
466188	466143	551679	-	-	40
466189	466144	551678	-	-	55
466190	466145	551687	-	-	70
466191	466146	551701	-	-	100

More products online



Chrome-Capped Adjustable Feet

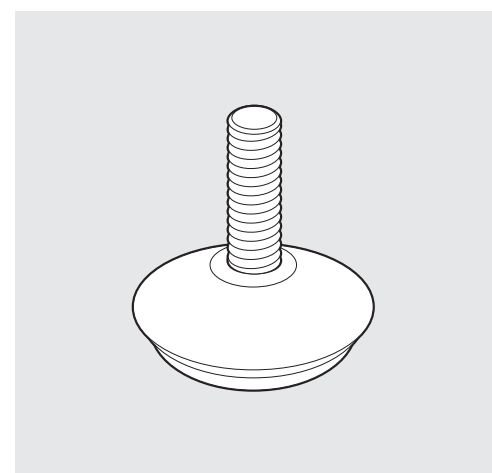
Black Polyethylene

- Attractive chrome metal covershell
- Non-tilt design provides extra stability
- Ideal for uneven surfaces. Protect floor surface from abrasion

Foot Diameter (mm)	Stud Size (mm)	Part Number
20	M6 x 10	465347
25	M8 x 20	465346
30	M8 x 20	465352
35	M8 x 20	465355
40	M8 x 25	465356
25	M10 x 20	465345
30	M10 x 20	465350
40	M10 x 40	465358*
40	M10 x 60	465354*
40	M10 x 25	465359**

* Small degree of tilt-loose swivelling adjustable nut (17mm a/f)

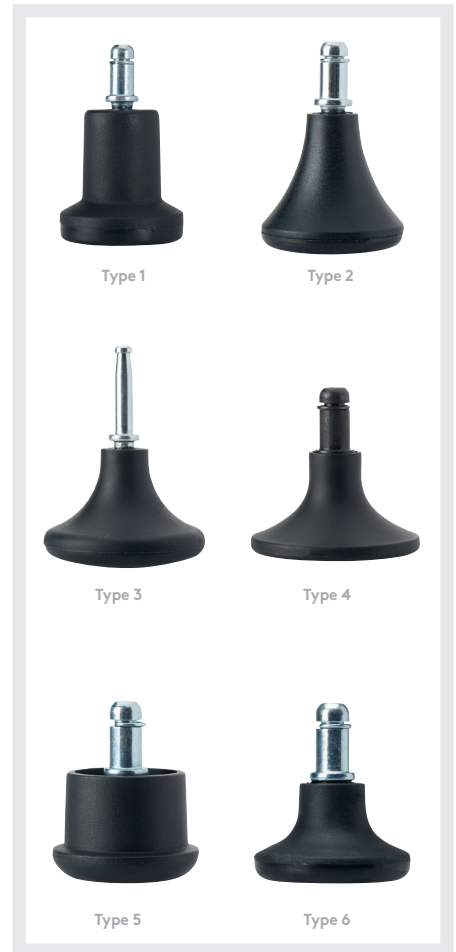
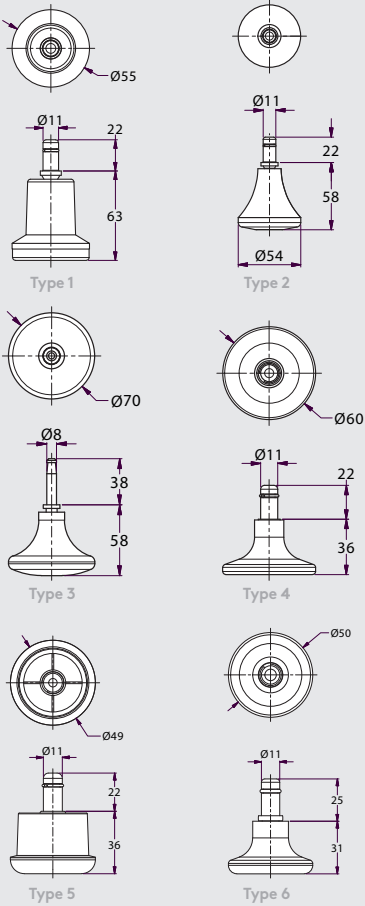
** Fixed hexagonal adjustable nut (10mm a/f)



Gripneck Feet Nylon Base, Galvanised Steel Stem

- Gripneck Stem for quick fitting
- Smooth base for easy movement
- Type 4 has a hollow base

Type	Load Bearing (kg)	Part Number
1	55	551066
2	50	551062
3	50	551063
4	50	551064
5	55	551065
6	50	551061



PTFE Glider Adhesive Fixing

- PTFE Base with adhesive backing
- Available in round, square and rectangular

Square and Rectangular

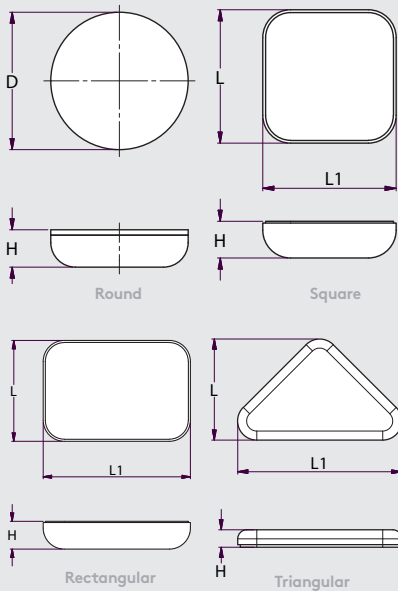
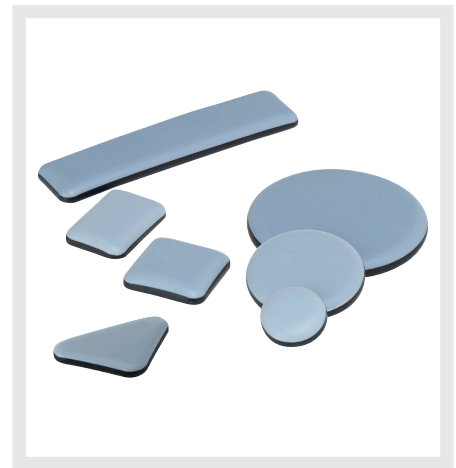
Part Number	L (mm)	L1 (mm)	H (mm)
499488	24	24	6.5
499490	30	30	6.5
499494	40	40	7.0
499495	45	45	7.0
499496	50	50	6.5
499489	24	35	6.8
499497	19	70	6.3
499492	24	100	6.3

Round

Part Number	D (mm)	H (mm)
499475	19	4.3
499476	22	6.3
499477	25	6.7
499478	30	6.5
499479	40	6.3
499480	50	6.4
499481	65	6.3

Triangular

Part Number	L (mm)	L1 (mm)	H (mm)
550441	50	50	7

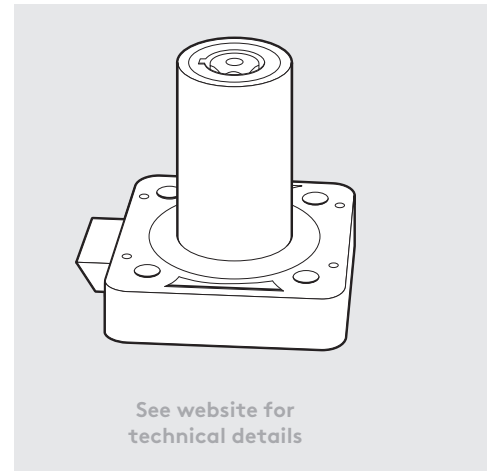




Drawer Locks, Sprung Bolt

- A high security, rim/surface-fixing, sprung latch, 'slam shut' drawer lock
- Recommended for wooden drawers used to store valuable documents, vouchers, coupons, etc
- For added security, the lock has an anti-drill centre & the key is removable only in the locked position

Keying	Part Number
Keyed alike	492858



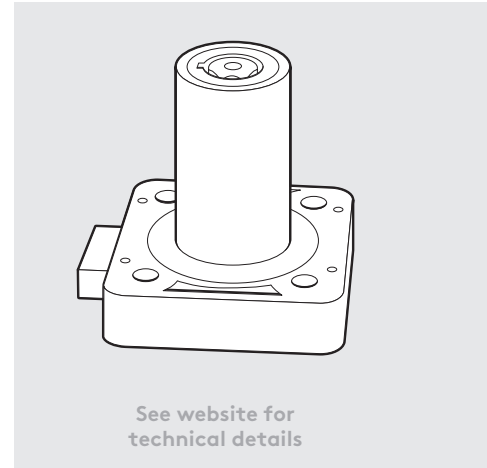
See website for technical details



Drawer Locks, Dead Bolt

- A high security, rim/surface-fixing drawer lock
- Recommended for wooden drawers used to store valuable documents, vouchers, coupons, etc
- For added security, the lock has an anti-drill centre & the key is removable only in the locked position

Keying	Part Number
Keyed alike	492856



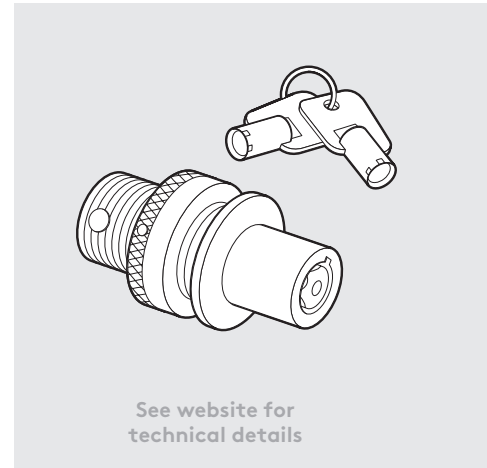
See website for technical details



Pull Locks for Glass Doors

- Fitted to the rear-most of two sliding glass doors, the inner body springs forward to prevent the doors opening
- Ideal for display cases containing high value items
- Also suitable for glass-fronted notice boards, etc
- The lock has an anti-drill centre

Keying	Part Number
Keyed alike	492860



See website for technical details



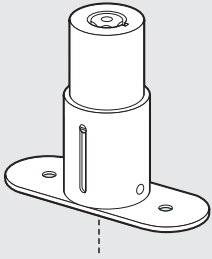
Bottom Rail Pushlocks

- Locks through the bottom rail of a sliding glass door
- The 'push to lock' action saves time in busy retail environments
- For added security, the lock has an anti-drill centre

Keying	Part Number
Keyed alike	492862



See website for technical details

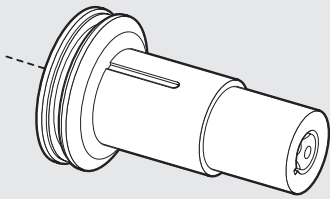


See website for technical details

Pushlocks, Flange Fixing

- Designed specifically for sliding wooden doors, this pushlock is ideal for stock cupboards, counter units & wooden display cabinets
- The 'push to lock' action saves time in busy retail environments
- Offers a good level of security & has an anti-drill centre
- The key is removable only in the locked position

Keying	Part Number
Keyed alike	492864

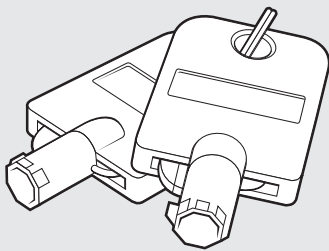


See website for technical details

Pushlocks for Glass Doors

- A stylish pushlock offering a good level of security for sliding glass doors
- Ideal for display cases containing high value items
- The 'push to lock' action saves time in busy retail environments
- The lock has an anti-drill centre

Keying	Part Number
Keyed alike	492866

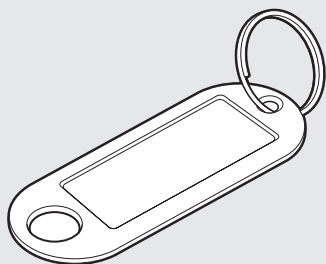
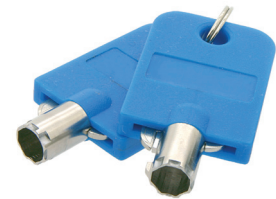


See website for technical details

Replacement Keys

- Should the key to one of the locks from pages 52 or 53 be lost or stolen, or you would find it useful to have a spare, we can supply an accurate copy of the original

Part Number
492867



Key Tags

- Very economical plastic key tag with inlay card, window & metal split ring
- Helps with good key management & security in retail premises
- Eight assorted colours

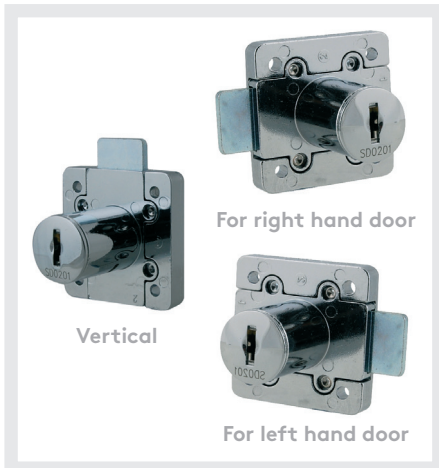
Part Number
492905



Enhanced Key Security

All the locks from pages 52 or 53 have a patented locking mechanism & key section, which greatly reduces the risk of unauthorized duplicate keys being cut. The manufacturer controls the issue of replacement & duplicate keys by not issuing key blanks to any third party, including locksmiths & key-cutting outlets

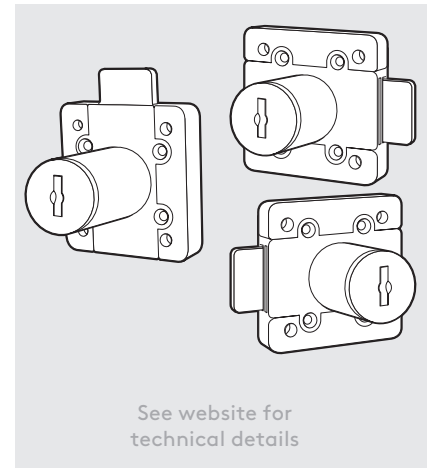
► POS DISPLAY COMPONENTS



Rim Locks

- A stylish lock for drawers, cabinets & hinged doors
- Offers above-average security for its type, 500 key combinations, a 2.5mm thick steel locking bolt & a removable lock cylinder

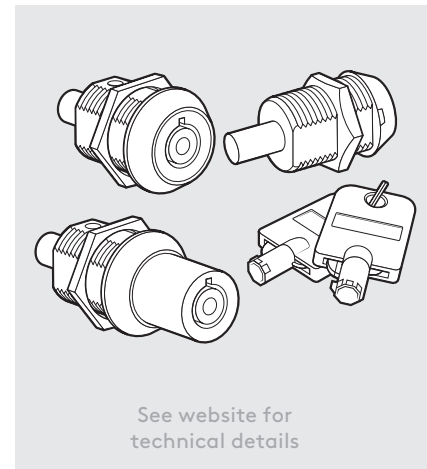
Type	Keying	Part Number
Vertical bolt throw	Keyed alike	492872
Vertical bolt throw	Keyed to differ	492873
For right hand doors	Keyed alike	492874
For right hand doors	Keyed to differ	492875
For left hand doors	Keyed alike	492876
For left hand doors	Keyed to differ	492877



Pushlocks, Nut Fixing

- This radial pin tumbler lock offers a convenient 'push to lock, key to open' operation
- Fits a standard 19mm x 16mm 'double D' hole & is suitable for applications such as sliding doors, display cabinets, security grilles & shutters
- Features enhanced key security (see previous page) & an anti-drill centre

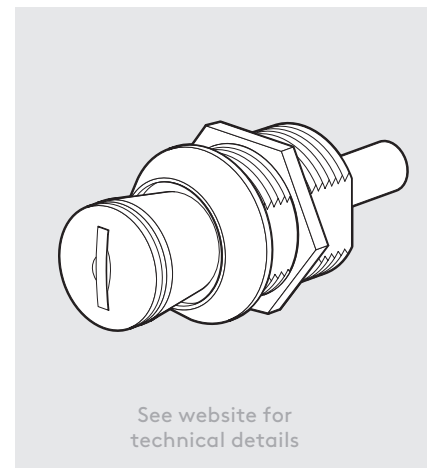
Keying	Part Number
Keyed alike	492868
Keyed to differ	492869



Budget Pushlocks, Nut Fixing

- The disc tumbler mechanism has a convenient 'push to lock, key to open' operation
- The lock movement is just 45°, with the key free in the open position
- Fits a standard 'double D' mounting hole
- Suitable for sliding doors, display cabinets & glass-fronted noticeboards

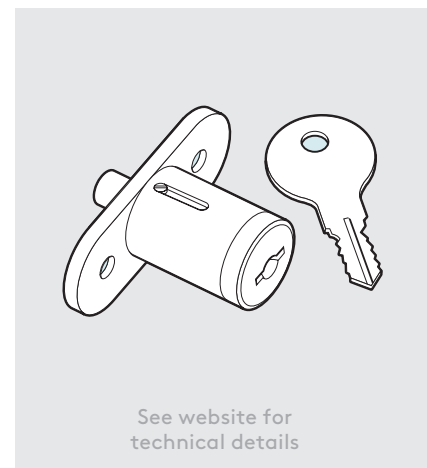
Keying	Part Number
Keyed alike	492870

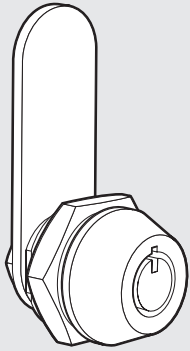


Budget Pushlocks, Flange Fixing

- Provides effective security through a reliable 'push to lock, key to open' operation
- Use to secure sliding wooden doors & other frequently used applications
- The key can be withdrawn in the fully unlocked position, preventing locking when frequent access is required

Keying	Part Number
Keyed alike	492871



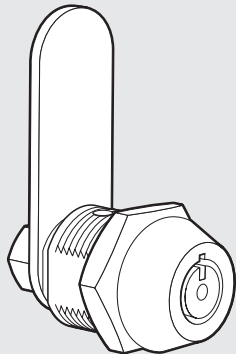


See website for technical details

Cam Locks, Radial Pin Tumbler, Solid Brass

- Offers excellent quality & reliability, together with over half a million key combinations
- Finished to a high standard
- Suitable for use indoors or out, on cabinets, display units, stock cupboards & other applications with doors, panels or flaps

Effective Length (mm)	Keying	Cam Type	Part Number
11	Keyed alike	Type 1	492878

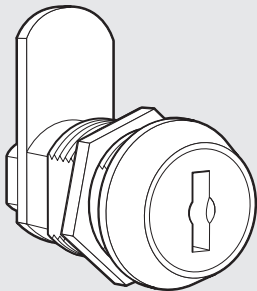


See website for technical details

Cam Locks, Radial Pin Tumbler, Die-cast Alloy

- A good quality cam lock with a die-cast alloy body
- Provides the security of a radial pin tumbler mechanism at a competitive price

Effective Length (mm)	Keying	Cam Type	Part Number
18	Keyed alike	Type 1	492879
18	Keyed to differ	Type 1	492880
30	Keyed alike	Type 1	492881
30	Keyed to differ	Type 1	492882

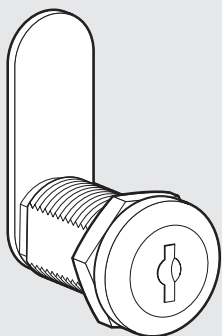


See website for technical details

Cam Locks, 10 Disc Tumbler, Die-cast Alloy

- Provides above-average security for cabinets, lockers, display units, stock cupboards, etc. 1,000 key combinations are available
- The locking/unlocking action prevents the cam from falling back under its own weight if keys are left in the lock
- Fits a standard 'double D' mounting hole, using the fixing nut

Effective Length (mm)	Keying	Cam Type	Part Number
20	Keyed alike	Type 2	492889
20	Keyed to differ	Type 2	492890



See website for technical details

Cam Locks, 5 Disc Tumbler, Die-cast Alloy

- A budget priced disc tumbler lock for use where low cost is of greater consideration than high security
- Offers 200 different key combinations
- Manufactured from die-cast alloy & has a stainless steel cap

Effective Length (mm)	Keying	Cam Type	Part Number
16	Keyed alike	Type 2	492883
16	Keyed to differ	Type 2	492884
23	Keyed alike	Type 2	492885
23	Keyed to differ	Type 2	492886
30	Keyed alike	Type 2	492887
30	Keyed to differ	Type 2	492888

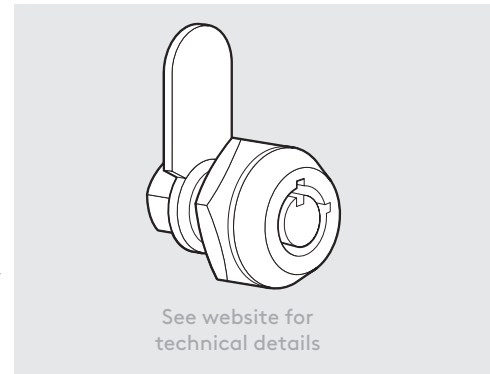




Miniature Cam Locks, Radial Pin Tumbler, Die-cast Alloy

- A cam lock offering full security & functionality for applications where space is limited
- Suitable for use on cabinets, display units & stock cupboards

Effective Length (mm)	Keying	Cam Type	Part Number
10.5	Keyed alike	19mm flat	492893



See website for technical details



Miniature Cam Locks, 5 Disc Tumbler, Die-cast Alloy

- A cam lock that delivers surprising versatility in such a small package
- Suitable for use on low security cabinets, display units, stock cupboards
- 200 different key combinations are produced

Effective Length (mm)	Keying	Cam Type	Part Number
8	Keyed alike	20mm flat	492891
8	Keyed to differ	20mm flat	492892



See website for technical details



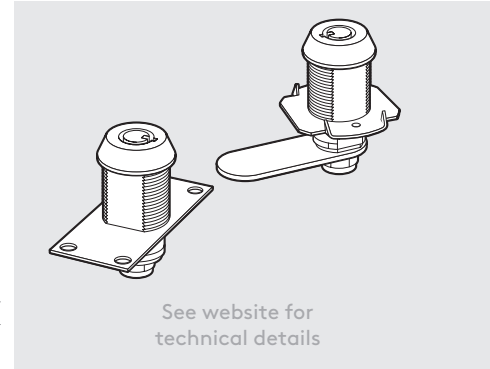
Wood washer

Locating plate

Cam Lock Wood Washers & Cam Lock Locating Plates

- The wood washer prevents a cam lock from rotating in wooden applications where it is convenient to drill a round hole for fitting the lock
- The locating or mounting plate is steel & enables a cam lock with a 19mm x 15.9mm 'double D' profile to be fixed securely

Part	Part Number
Cam Lock Wood Washer	492903
Cam Lock Locating Plate	492904



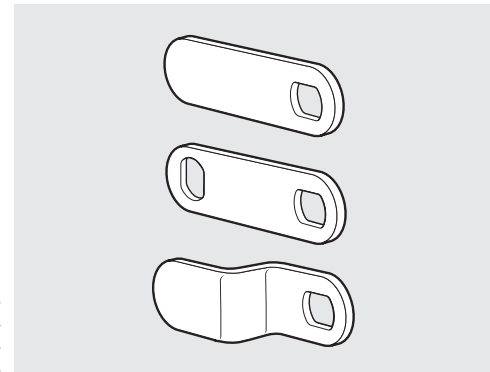
See website for technical details



Alternative Steel Cams, Type 1

- To fit Part Number 492878 through to 492882. Zinc plated to resist corrosion
- Cranked cams are used to increase or decrease the 'effective length' of the cam lock
- Part Number 492895 has both a vertical & a horizontal hole to allow fitting at all four 'quarter hour' positions

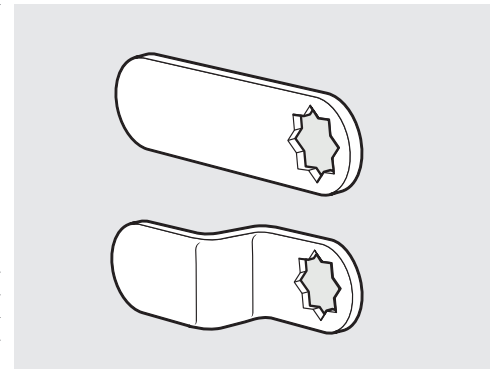
Effective Cam Length (mm)	Specification	Part Number
40	Flat; vertical hole	492894
40	Flat; two holes	492895
40	3mm crank	492896
40	6mm crank	492897
40	9mm crank	492898



Alternative Steel Cams, Type 2

- To fit Part Number 492883 through to 492890.
- Zinc plated to resist corrosion.

Effective Cam Length (mm)	Specification	Part Number
40	Flat; vertical hole	492899
40	3mm crank	492900
40	9mm crank	492901
40	12mm crank	492902



AND THERE IS MORE...



▶ Locks



▶ Latches & Catches

Hinges ▶



Drawer Slides, Gas Struts & Lid Stays ▶



▶ Handles & Knobs



▶ Castors & Ball Transfer Units

Furniture Fittings ▶



Fasteners ▶



REQUEST OUR FULL INDUSTRIAL COMPONENTS CATALOGUE WITH OVER 28,000 PRODUCTS

www.essentracomponents.co.uk

Conditions of sale can be found on our website - www.essentracomponents.co.uk

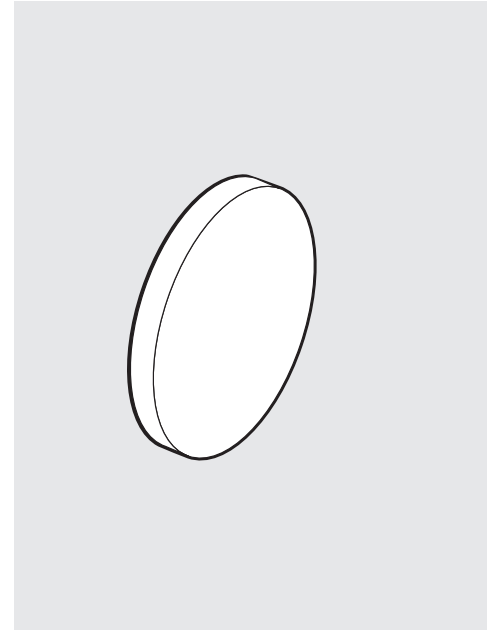




Neo-Discs – Disc Magnets

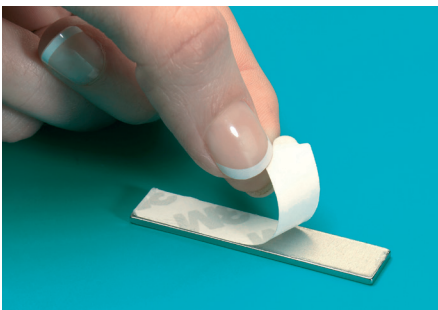
- All our Neo magnets are produced from the rare earth metal Neodymium which has incredibly strong magnetic properties
- Disc magnets can be used to create high class closures
- They can be inserted into pre-drilled holes or glued into applications

Diameter (mm)	Thickness (mm)	Part Number
6	3	493186
8	4	493187
10	3	493188
10	4	493189
12	3	493190
15	3	493191
20	5	493192
22	3	493193



Self Adhesive Neo Magnets

- In order to equalise the magnetic/adhesive force, we recommend a maximum magnet thickness of 1.5mm, where the adhesive will be applied 50% to the north & 50% to the south face for successful magnet to magnet operation
- Adapting a magnetic closure where the magnets cannot be hidden, then applying them with adhesive can be a great solution

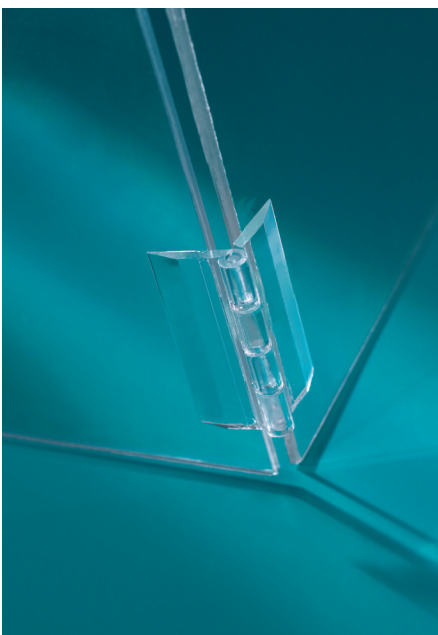
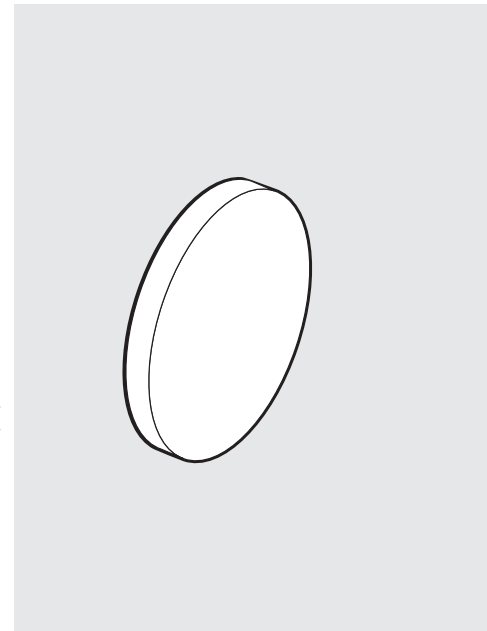


Discs

Dia. (mm)	Thickness (mm)	Pull Force (kg)	Part Number
10	1	0.3kg	493194
15	1	1.5kg	496737

Bars

Dimensions (mm)	Pull Force (kg)	Part Number
25 x 10 x 1	1.5	493196
50 x 10 x 1.5	2.5	493197

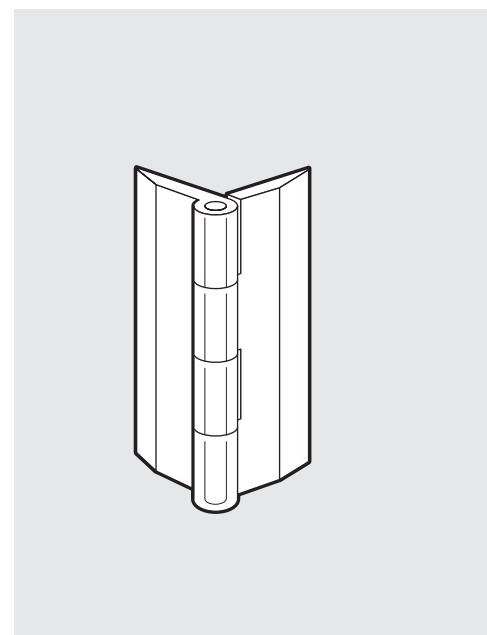


Clear Plastic Hinges

- Clear acrylic hinges can be glued or acrylic welded to display cabinets to provide an aesthetic closure

Length (mm)	Width (mm)	Part Number
25	33	492916
30	33	492917
45	38	492918
65	41	492919
100	58	492920
200	42	492922

Metal hinges are also available. Please contact our sales team for more details

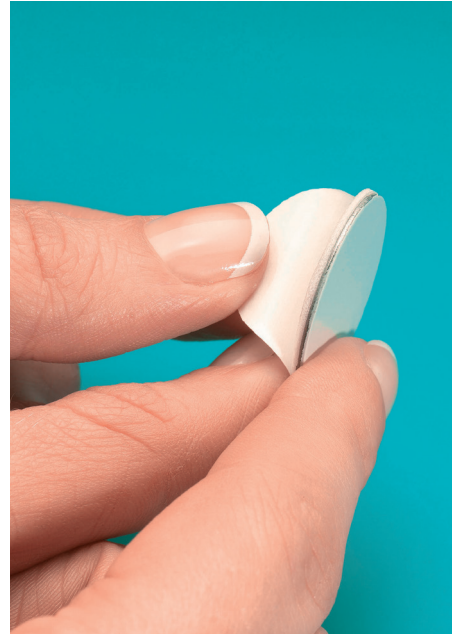
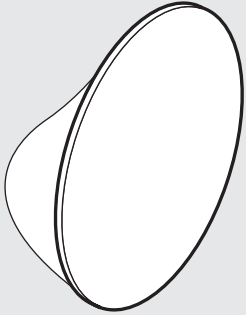


Steel Discs

- These 25mm steel discs can be stuck wherever you want your overhead displays to be located
- Overhead Displays: Apply the discs to the ceiling in your store & hang your promotional posters using the magnets (see part no. 493180 on page 4)

Dia. (mm)
25

Part Number
493200



Neo-Pads (Maximised holding & shear strength)

- Developed specifically for retail applications,
- Neo-Pads are a proven solution when sheer, leverage friction need dealing with
- The Neo-Pad concept provides sheer forces up to 14kg & various methods of mounting onto your displays
- Available with M6 screw mounting options

Dimensions
(mm)

Pull Force
(kg)

Part
Number

60 x 40 x 7

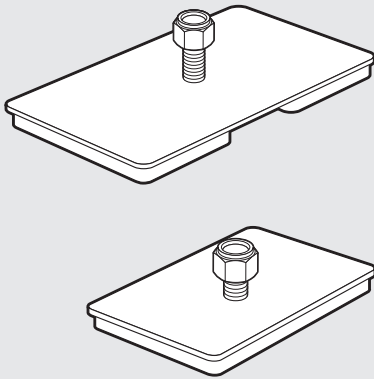
7kg pull, 4-5kg drag

493198

100 x 60 x 7

14kg pull, 9kg drag

493199



MAGNETIC & STEEL TAPES

See our range of magnetic and steel tapes on page 72

Please contact us or visit
www.essentracomponents.co.uk

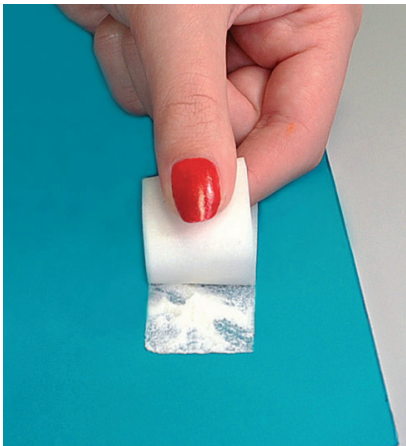


Your Guide To Finding The Right Double-Sided Tapes!

		Surface One					
		Polypropylene	LDPE HDPE	Flexible PVC Vinyl	Styrene ABS High Density PVC Rigid PVC	Powder Coat	Glass Aluminium Stainless Steel
Surface Two	Dubl Kote™ DK Film™ Dimensional Twin Stick™ Twin Stick™ Banner Tape Reinforced Transfer Adhesive	Dubl Kote™ DK Film™ Dimensional Twin Stick™ Twin Stick™ Banner Tape	Any high bond DK Film™ acrylic Banner Tape Reinforced Transfer Adhesive	Any high bond DK Film™ acrylic Thick Twin Stick™ Twin Stick™	High bond white or grey Dubl Kote™ DK Film™ Dimensional Twin Stick™ Twin Stick™	Any high bond Dubl Kote™ DK Film™ Dimensional Twin Stick™ Twin Stick™	Any high bond Dubl Kote™ DK Film™ Thick Twin Stick™ Twin Stick™ Banner Tape Reinforced Transfer Adhesive
Powder Coat	Dubl Kote™ DK Film™ Dimensional Twin Stick™ Twin Stick™	Dubl Kote™ DK Film™ Dimensional Twin Stick™ Twin Stick™	DK Film™ acrylic Banner Tape	Any high bond Dubl Kote™ DK Film™ Dimensional Twin Stick™ Twin Stick™	Any high bond Dubl Kote™ DK Film™ Dimensional Twin Stick™ Twin Stick™		
Styrene ABS High Density PVC Rigid PVC	Dubl Kote™ DK Film™ Dimensional Twin Stick™ Twin Stick™	Dubl Kote™ DK Film™ Dimensional Twin Stick™ Twin Stick™	Any high bond DK Film™ acrylic Banner Tape	Any high bond Dubl Kote™ DK Film™ Dimensional Twin Stick™ Twin Stick™ Banner Tape			
Flexible PVC Vinyl	High bond tapes Banner Tape Reinforced Transfer Adhesive	High bond white or grey Banner Tape	Any high bond DK Film™ acrylic Banner Tape Reinforced Transfer Adhesive				
LDPE HDPE	Dubl Kote™ DK Film™ Dimensional Twin Stick™ Twin Stick™ Banner Tape	Dubl Kote™ DK Film™ Dimensional Twin Stick™ Twin Stick™					
Polypropylene	High bond white or grey Dubl Kote™ DK Film™ Dimensional Twin Stick™ Twin Stick™ Banner Tape Reinforced Transfer Adhesive						

Don't forget - our **Transfer Tapes** are ideal for mounting graphics & nameplates!

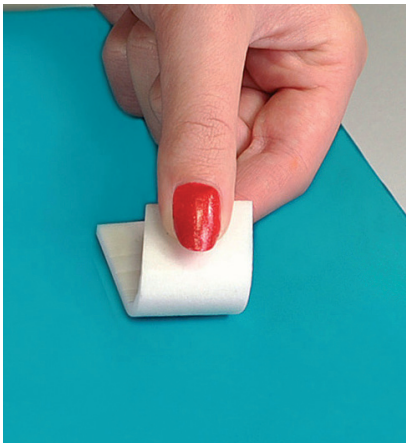
Twin Stick™	page 62	Dubl Kote™	page 68	Stick-on feet (buffer)	page 74
Remo One™	page 63	High Bond & Banner tapes	page 69-70	Self-adhesive pads.....	page 74
Remo Two™	page 64	Reinforced Transfer Adhesive	page 70	Glue Dots	page 75
Dimensional Twin Stick™	page 65	Magnetic tapes	page 72	Sealing Discs	page 75
Velcro®	page 66	Steel tape.....	page 72	Adhesive Hang Tabs.....	page 75
Hook & loop	page 67	CD fixers	page 73		
DK Film™	page 68	Anti-skid discs	page 73		



Remo One™
Removable one side – permanent the other

Remo One™ foam tape is ideal for single use graphics. Permanent rubber-based adhesive on one side, removable rubber-based adhesive on the other. The removable side allows for temporary application of graphics to signs & displays & will remove cleanly for most non-delaminating surfaces.

See page 63 for sizes & details.



Remo Two™
Removable both sides

Double-sided removable foam tape is designed for temporary or single use graphics, consumer packaging, or signs that are re-used. Removes cleanly from most non-delaminating surfaces even after an extended period of time.

See page 64 for sizes & details.



Remember - foam tape provides better adhesion to uneven surfaces than film tape!

Draw attention with dimension!

Dimensional Foam Pads

Pad thickness from 13mm to 51mm

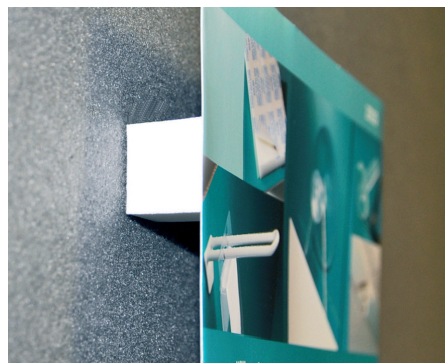
Available with:

<p>Remo One™ Removable one side – permanent the other</p>	<p>REMO ONE REMOVABLE THIS SIDE ONLY</p>
--	---



No more hand-made cardboard blocks!

<p>Remo Two™ Removable both sides</p>	<p>REMO TWO REMOVABLE TWO SIDES</p>
--	--



Dimensional Twin Stick is quick and easy to apply

<p>Twin Stick™ Double sided permanent adhesive</p>	<p>TWIN STICK REMOVE COVER CAREFULLY APPLY TO CLEAN SURFACE PRESS FIRM WITH FINGERS</p>
---	--



Twin Stick™ Kiss-Cut Pieces on a Roll Double Sided Permanent Adhesive Foam Pads

- Ideal for assembling corrugated displays & mounting wobblers, & hanging signs
- Kiss-cut pieces supplied on a roll with aggressive rubber based adhesive on both sides
- Works well with: corrugated, chipboard, wood, low surface energy plastics, powder coats & UV coatings
- One roll per pack

0.8mm Thickness

Piece Size (mm)	Pieces per Roll	Part Number
12.7 x 12.7	10000	470027
12.7 x 25.4	10000	470000
12.7 x 50.8	10000	470001
12.7 x 76.2	5000	470002
19.1 x 19.1	10000	470120
19.2 x 76.2	5000	470005
25.4 x 25.4	10000	470006
25.4 x 50.8	6300	470007
25.4 x 76.2	4000	470008
25.4 x 101.6	2500	470029

3.2mm Thickness

Piece Size (mm)	Pieces per Roll	Part Number
25.4 x 25.4	12000	470042
25.4 x 50.8	2700	470023
25.4 x 76.2	2000	470024
25.4 x 101.6	2000	470025

6.4mm Thickness

Piece Size (mm)	Pieces per Roll	Part Number
25.4 x 25.4	5000	470026
25.4 x 76.2	1000	470033

1.6mm Thickness

Piece Size (mm)	Pieces per Roll	Part Number
19.2 x 76.2	2500	470015
25.4 x 25.4	10000	470016
25.4 x 50.8	5000	470017
25.4 x 76.2	2000	470018
25.4 x 101.6	2500	470019

Specifications:

- Application Temperature: 18°C to 38°C
- Service Temperature: -29°C to 65°C
- Approximate Holding Power: 35g per 1 sq cm of tape.



Twin Stick™ Kiss-Cut Pieces on Pads Double Sided Permanent Adhesive Foam Pads

- Pads are great for kits. Pack extra pads with your display for in-store repairs
- Kiss-cut pieces supplied on pads for convenience with aggressive rubber based adhesive on both sides
- Ten pieces per pad

0.8mm Thickness

Piece Size (mm)	Pads per Carton	Part Number
12.7 x 12.7	750	470166
12.7 x 25.4	750	470168
12.7 x 50.8	400	470169
12.7 x 76.2	250	470170
19.1 x 19.1	650	470193
19.1 x 25.4	500	470194
19.1 x 50.8	250	470195
19.1 x 76.2	175	470196
25.4 x 25.4	400	470219
25.4 x 50.8	200	470220
25.4 x 76.2	125	470221
25.4 x 101.6	100	470222

1.6mm Thickness

Piece Size (mm)	Pads per Carton	Part Number
12.7 x 12.7	750	470315
12.7 x 25.4	750	470317
12.7 x 50.8	400	470318
12.7 x 76.2	250	470319
19.1 x 76.2	175	470345
25.4 x 25.4	400	470368
25.4 x 50.8	200	470369
25.4 x 76.2	125	470370
25.4 x 101.6	100	470371

3.2mm Thickness

Piece Size (mm)	Pads per Carton	Part Number
25.4 x 25.4	300	470450
25.4 x 50.8	150	470451

Specifications:

- Application Temperature: 18°C to 38°C
- Service Temperature: -29°C to 65°C
- Approximate Holding Power: 35g per 1 sq cm of tape.

Remo One™ Kiss-Cut Pieces on a Roll

Removable/Permanent Adhesive Foam Pieces

- Remo One™ foam tape is ideal for single use graphics.
- Permanent rubber-based adhesive on one side, removable rubber-based adhesive on the other.
- The removable side allows for temporary application of graphics to signs & displays & will remove cleanly for most non-delaminating surfaces.
- Supplied in die-cut pieces on a roll for easy application. One roll per pack

0.8mm Thickness

Piece Size (mm)	Pieces per Roll	Part Number
25.4 x 25.4	6000	470754
25.4 x 50.8	6000	470748
25.4 x 76.2	2500	470755
25.4 x 101.6	2500	470809

1.6mm Thickness

Piece Size (mm)	Pieces per Roll	Part Number
25.4 x 25.4	5000	470749
25.4 x 50.8	5000	470750
25.4 x 76.2	2500	470751
25.4 x 101.6	2000	470756

3.2mm Thickness

Piece Size (mm)	Pieces per Roll	Part Number
25.4 x 76.2	2000	470753
25.4 x 101.6	2000	470872

Specifications:

- Application Temperature: 18°C to 38°C
- Service Temperature: -29°C to 65°C
- Approximate Holding Power: 35g per 1 sq cm of tape.



Remo One™ Kiss-Cut Pieces on Pads

Removable/Permanent Adhesive Foam Pieces

- Pads are great for kits. Pack extra pads with your display for in-store repairs.
- Permanent rubber-based adhesive on one side, removable rubber-based adhesive on the other.
- Ten pieces per pad

0.8mm Thickness

Piece Size (mm)	Pads per Carton	Part Number
25.4 x 25.4	400	492190
25.4 x 50.8	200	492191
25.4 x 76.2	125	492192

1.6mm Thickness

Piece Size (mm)	Pads per Carton	Part Number
25.4 x 25.4	400	470856
25.4 x 50.8	200	470857
25.4 x 76.2	125	470858
25.4 x 101.6	100	470859

3.2mm Thickness

Piece Size (mm)	Pads per Carton	Part Number
25.4 x 25.4	300	470884
25.4 x 50.8	150	470885
25.4 x 101.6	75	470887

Specifications:

- Application Temperature: 18°C to 38°C
- Service Temperature: -29°C to 65°C
- Approximate Holding Power: 35g per 1 sq cm of tape.



Remo One™ continuous roll

Foam Tape with Removable Adhesive on One Side

- Permanent rubber-based adhesive on one side, removable rubber-based adhesive on the other
- Supplied on a continuous roll of 9m

0.8mm Thickness

Width (mm)	Pads per Carton	Part Number
12.7	72	471444
25.4	36	471446

1.6mm Thickness

Width (mm)	Pads per Carton	Part Number
12.7	40	471447
25.4	20	471449

Specifications:

- Application Temperature: 18°C to 38°C
- Service Temperature: -29°C to 65°C
- Approximate Holding Power: 35g per 1 sq cm of tape.





Remo Two™ kiss-cut pieces on a roll Double Sided Removable Adhesive Foam Pieces

- Double sided removable foam tape is designed for temporary or single use graphics, consumer packaging, or signs that are re-used.
- Removes cleanly from most non-delaminating surfaces even after an extended period of time. Supplied in die-cut pieces on a roll

0.8mm Thickness

Piece Size (mm)	Pieces per Roll	Part Number
25.4 x 76.2	2500	471103

3.2mm Thickness

Piece Size (mm)	Pieces per Roll	Part Number
25.4 x 76.2	2000	471170

Specifications:

- Application Temperature: 18°C to 38°C
- Service Temperature: -29°C to 65°C
- Approximate Holding Power: 35g per 1 sq cm of tape.

Remo Two Tape™ Applications

- Promotional signage
- Temporary signage
- Temporary & semi-permanent displays
- Plastic extrusions
- Plastic fasteners
- Single use graphics
- Wobblers



Remo Two™ kiss-cut pieces on pads Double Sided Removable Adhesive Foam Pieces

- Double sided removable foam pads are designed for temporary or single use graphics, consumer packaging, or signs that are re-used.
- Removes cleanly from most non-delaminating surfaces even after an extended period of time.
- Ten pieces per pad

0.8mm Thickness

Piece Size (mm)	Pads per Carton	Part Number
25.4 x 25.4	400	471119
25.4 x 50.8	200	471120
25.4 x 76.2	125	471121

1.6mm Thickness

Piece Size (mm)	Pads per Carton	Part Number
25.4 x 25.4	400	471153
25.4 x 50.8	200	471154
25.4 x 76.2	125	471155

3.2mm Thickness

Piece Size (mm)	Pads per Carton	Part Number
25.4 x 50.8	150	471184

Specifications:

- Application Temperature: 18°C to 38°C
- Service Temperature: -29°C to 65°C
- Approximate Holding Power: 35g per 1 sq cm of tape.

Dimensional Twin Stick™

Double Sided Permanent Adhesive Foam Blocks

- Draw attention with dimension. Great for making displays stand out with a 3-D effect
- High tack, permanent rubber based adhesive. Can also be used for extreme gap filling.
- Supplied in a carton unless otherwise stated

13mm Thickness

Piece Size (mm)	Pads per Carton	Part Number White ○	Part Number Black ●
25.4 x 25.4	3000*	470030*	470515*

*Supplied on a roll

19mm Thickness

Piece Size (mm)	Pads per Carton	Part Number White ○
25.4 x 25.4	2500	470037

25mm Thickness

Piece Size (mm)	Pads per Carton	Part Number White ○	Part Number Black ●
25.4 x 25.4	2500	470035	470519

31mm Thickness

Piece Size (mm)	Pads per Carton	Part Number White ○
25.4 x 25.4	4608	470062

38mm Thickness

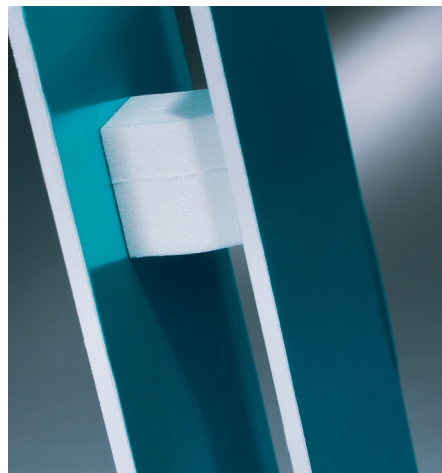
Piece Size (mm)	Pads per Carton	Part Number White ○
25.4 x 25.4	3420	470065
25.4 x 50.8	1710	470066
25.4 x 76.2	900	470067
38.1 x 38.1	1440	470068

45mm Thickness

Piece Size (mm)	Pads per Carton	Part Number White ○
38.1 x 38.1	1200	470069

51mm Thickness

Piece Size (mm)	Pads per Carton	Part Number White ○
38.1 x 38.1	1200	470070
50.8 x 50.8	840	470071



Dimensional Remo One™ & Remo Two™

Removable Adhesive Foam Blocks

- Remo One™ has permanent rubber-based adhesive on one side, removable rubber-based adhesive on the other
- Remo Two™ has removable rubber-based adhesive on both sides. The removable side allows for temporary application of graphics to signs & displays & will remove cleanly for most non-delaminating surfaces.
- Supplied in a carton unless otherwise stated

13mm Thickness

Piece Size (mm)	Pads per Carton	Remo One™ Part Number	Remo Two™ Part Number
25.4 x 25.4	3000*	470758*	471043*

*Supplied on a roll

38mm Thickness

Piece Size (mm)	Pads per Carton	Remo One™ Part Number	Remo Two™ Part Number
25.4 x 25.4	3420	470781	471066
38.1 x 38.1	1440	470784	471069

19mm Thickness

Piece Size (mm)	Pads per Carton	Remo One™ Part Number	Remo Two™ Part Number
25.4 x 25.4	4320	470768	471053

45mm Thickness

Piece Size (mm)	Pads per Carton	Remo One™ Part Number	Remo Two™ Part Number
38.1 x 38.1	1200	470785	471070

25mm Thickness

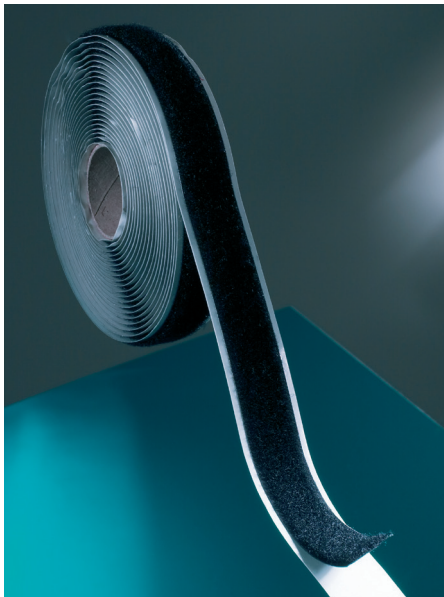
Piece Size (mm)	Pads per Carton	Remo One™ Part Number	Remo Two™ Part Number
25.4 x 25.4	6012	470773	471058

51mm Thickness

Piece Size (mm)	Pads per Carton	Remo One™ Part Number	Remo Two™ Part Number
38.1 x 38.1	1200	470786	471071
50.8 x 50.8	840	470787	471072



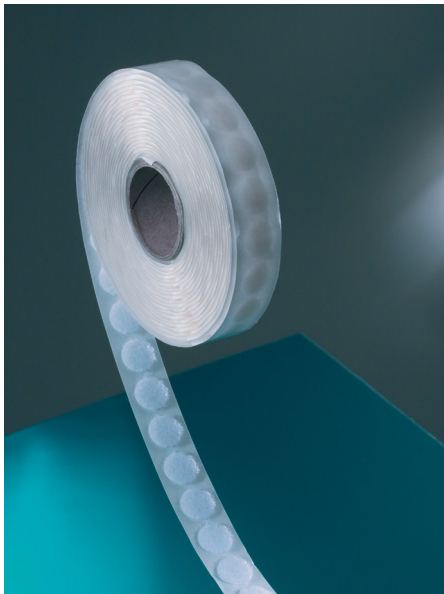
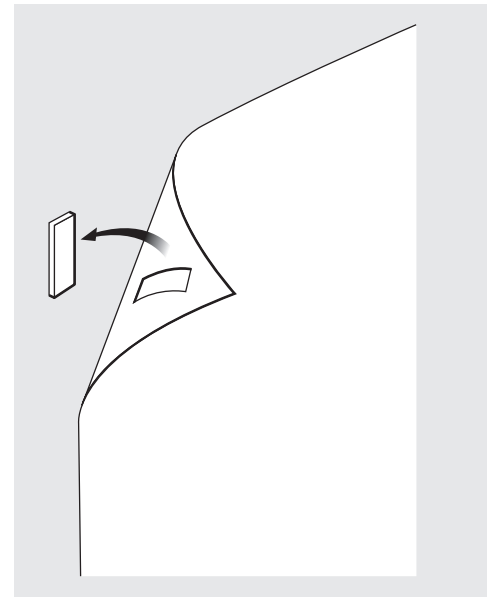
▶ ADHESIVE TAPES & PADS



VELCRO® Brand Hook & Loop Fasteners

- Great for positioning poster boards amongst many other applications
- Strong adhesive backing
- Width 20mm
- Supplied on 5m rolls

Type	Part Number	Part Number
	White ○	Black ●
Hook	464853	464822
Loop	464854	464823

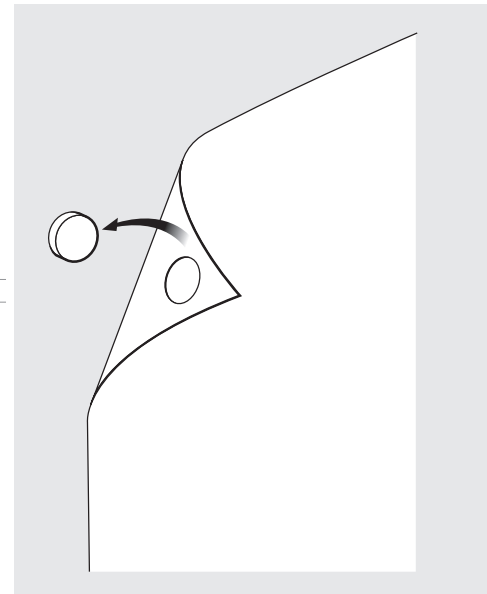


VELCOIN® Brand Hook & Loop Fasteners

- Adhesive backing
- Supplied on 5m rolls

22mm Coins (approx. 200 per roll)

Type	Part Number
	White ○
Hook	464828
Loop	464829



VELCRO® & VELCOIN® are registered trademarks of Velcro Industrial B.V.

METAL SCREWS! NUTS! WASHERS!

▶ See the website for details
www.essentracomponents.co.uk



Hook & Loop Continuous Roll 100% Nylon with Clear Polyester Film Liner

- Rubber-based permanent adhesive on one side.
- Application temperature -18°C to 38°C. Service temperature -28°C to 101°C. Ideal for POP displays, sample books, exhibits & enclosures.
- Supplied on a roll of 23m

12.5mm Width

Type	Pads per Carton	Part Number White ○	Part Number Black ●
Hook	24	472437	472431
Loop	24	472449	472443

20mm Width

Type	Pads per Carton	Part Number White ○	Part Number Black ●
Hook	20	472439	472433
Loop	20	472451	472445

25mm Width

Type	Pads per Carton	Part Number White ○	Part Number Black ●
Hook	20	472439	472433
Loop	20	472451	472445



Hook & Loop Coins 100% Nylon with Clear Polyester Film Liner

12.7mm Diameter – 1400 Coins per Roll

Type	Pads per Carton	Part Number White ○	Part Number Black ●
Hook	24	472459	472455
Loop	24	472467	472463

19.1mm Diameter – 1028 Coins per Roll

Type	Pads per Carton	Part Number White ○	Part Number Black ●
Hook	18	472461	472469
Loop	18	472457	472465

22.2mm Diameter – 900 Coins per Roll

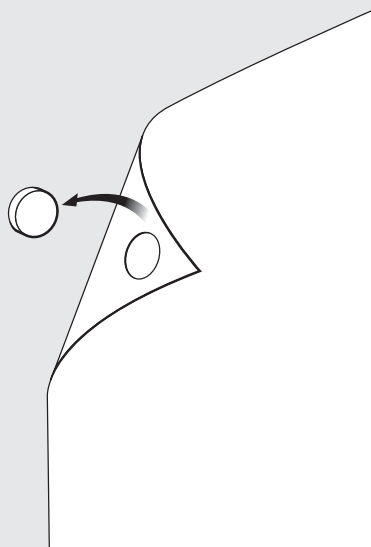
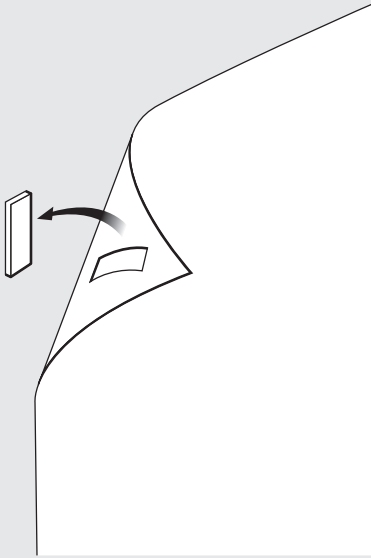
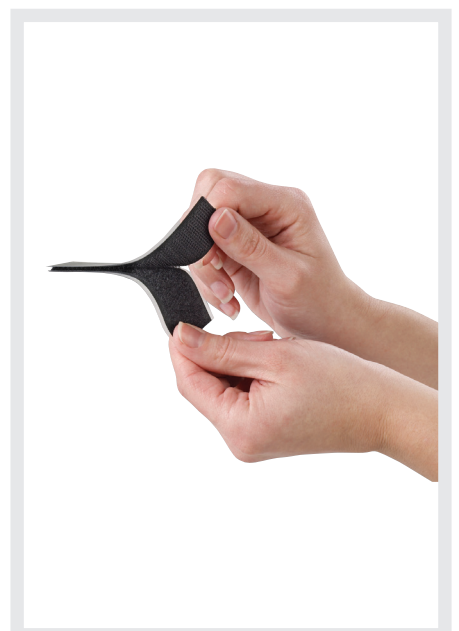
Type	Pads per Carton	Part Number White ○	Part Number Black ●
Hook	18	472462	472458
Loop	18	472470	472466



Hook & Loop Mated Sets 100% Nylon with Clear Polyester Film Liner

25.4mm Width

Length (mm)	Part Number White ○	Part Number Black ●
25.4	472472	472471
50.8	472474	472473
76.2	472476	472475
101.6	472478	472477
127.0	472480	472479



Hook & Loop Applications

- Sample books
- POP displays
- Signage
- Book/Folder closure
- Exhibits
- Enclosures
- Packaging



DK Film™ – Rubber Based Adhesive

Double Sided Permanent Thin Film Tape – Polyester Film Tape with Silicone Coated Release Liner

- Ideal for POP displays & signage. Application temperature 18°C to 38°C
- Service temperature –29°C to 79°C. Thickness 13µm film, 32µm adhesive on each side
- High initial tack & shear strength. Bonds to many different surfaces including low surface energy plastics (not recommended for direct UV exposure)
- Silicone coated paper release liner

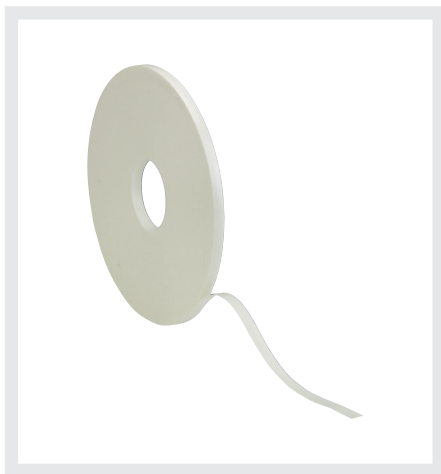
Width (mm)	Roll Length (M)	Rolls per Carton	Part Number
12.7	55	48	473013
19.1	55	32	473014
25.4	55	24	473015
12.7	305	18	473017
19.1	305	12	473018
25.4	305	9	473019

DK Film™ – Acrylic Based Adhesive

Double Sided Permanent Thin Film Tape – Polyester Film Tape with Silicone Coated Release Liner

- Ideal for POP displays & signage. Application temperature 18°C to 38°C
- Service temperature –29°C to 135°C. Thickness 13µm film, 42µm adhesive on each side
- High temperature resistance, good shear strength, good UV resistance & good adhesion to flexible plastics
- Silicone coated paper release liner

Width (mm)	Roll Length (M)	Rolls per Carton	Part Number
12.7	55	48	472523
19.1	55	32	472524
25.4	55	24	472525



Dubl Kote™

Double Sided Permanent Foam Tape

- Double sided permanent foam tape is ideal for POP displays
- Fast tack rubber based adhesive on both sides. Suitable for joining corrugated, chipboard, wood, plastics & power coated materials
- Supplied on a continuous roll
- Use black Dubl Kote to create invisible bonds when assembling black or dark displays
- Application temperature 18°C to 38°C.
- Service temperature –7°C to 66°C

Standard Rolls – 0.8mm Thickness – Length 66m

Width (mm)	Part Number White ○
6.4	471355
9.6	471346
12.7	471339
19.2	471340
25.4	471341

1.6mm Thickness – Length 66m

Width (mm)	Part Number White ○
12.7	471342
19.2	471343
25.4	471344

3.2mm Thickness – Length 33m

Width (mm)	Part Number White ○
12.7	471357
19.2	471345
25.4	471353

Standard Rolls – 0.8mm Thickness – Length 66m

Width (mm)	Part Number Black ●
6.4	-
9.6	471397
12.7	471394
19.2	471395
25.4	471399

1.6mm Thickness – Length 66m

Width (mm)	Part Number Black ●
12.7	471396

Short Rolls – White 0.8mm Thickness

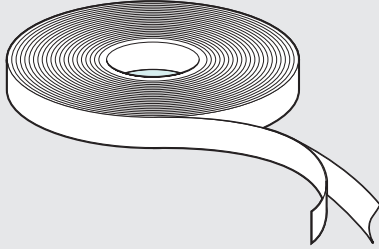
Width (mm)	Roll Length (M)	Rolls per Carton	Part Number
12.7	8	72	471365
19.1	8	45	471366
25.4	9	36	471367

1.6mm Thickness

Width (mm)	Roll Length (M)	Rolls per Carton	Part Number
12.7	9	40	471368
19.1	9	25	471369
25.4	9	20	471370

3.2mm Thickness

Width (mm)	Roll Length (M)	Rolls per Carton	Part Number
12.7	4.6	40	471371
19.1	4.6	25	471372
25.4	4.6	20	471373



High Bond Tapes

Acrylic Foam Core Tape

- Seamless attachment of panels without unsightly mechanical fasteners
- Tamper resistant, permanent bond. Great for bonding dissimilar metals.
- Perfect for bonding clear acrylic & glass products
- Excellent resistance to temperature cycles
- Unique shock absorption & vibration dampening properties. Interior & exterior sign mounting.
- Good conformability/softness for irregular or curved surface.
- Has a dwell time of 24–72 hours to reach maximum strength

Optically Clear Acrylic Foam Core High Bond Tape 0.5mm Thickness

Width (mm)	Roll Length (M)	Rolls per Carton	Part Number
12.7	66	9	472939
19.1	66	6	472940
25.4	66	4	472941

1.0mm Thickness

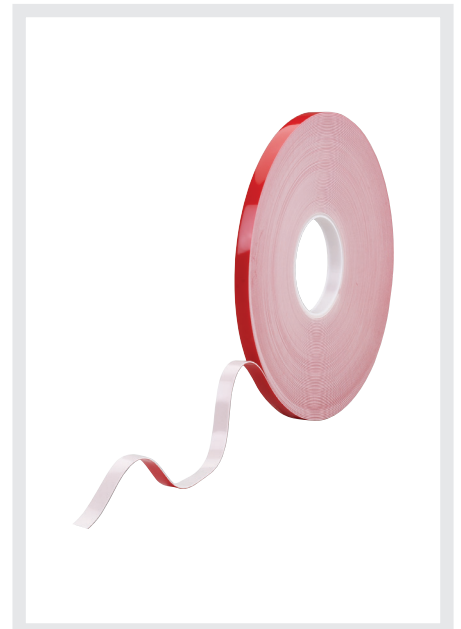
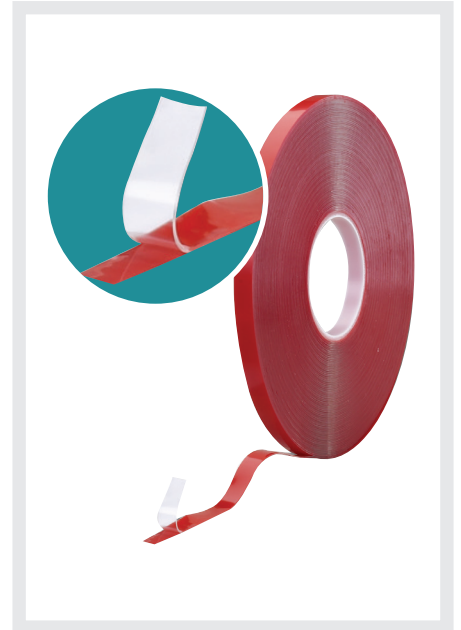
Width (mm)	Roll Length (M)	Rolls per Carton	Part Number
12.7	33	9	472942
19.1	33	6	472943
25.4	33	4	472944

White Acrylic Foam Core High Bond Tape 1.1mm Thickness

Width (mm)	Roll Length (M)	Rolls per Carton	Part Number
12.7	33	9	472948
19.1	33	6	472949
25.4	33	4	472950

Grey Acrylic Foam Core High Bond Tape 1.1mm Thickness

Width (mm)	Roll Length (M)	Rolls per Carton	Part Number
12.7	33	9	472945
19.1	33	6	472946
25.4	33	4	472957



Features & Benefits

- Suitable for use outdoors
- Aesthetically pleasing – create nearly invisible bond lines without unsightly welds, rivets & screws
- Tamper resistant – permanent bond
- Great for bonding dissimilar metals
- Excellent resistance to temperature cycles
- Unique shock absorption & vibration damping properties
- Good conformability/softness for irregular or curved surfaces
- Easily converted for your custom needs
- Wide service temperature range –29°C to 93°C

Applications

- Appliance: replace mechanical fasteners in consumer & commercial appliances
- Design: Seamless attachment of decorative panels
- Event Promotion: Seamless banner assembly and sign installation
- POP Displays: Clean design without unsightly mechanical fasteners
- Sign Manufacturing: Interior & exterior sign mounting

▶ ADHESIVE TAPES & PADS

Banner Tapes

Polyester Tape

- Permanent modified acrylic adhesive
- For indoor & outdoor use
- This tape will bond all surfaces - a great all-round performance tape
- Very thin & clear so ideal for bonding to clear surfaces
- Temperature range: -40 °C to +80 °C
- Ideal for mounting signs & nameplates

Width (mm)	Length (mm)	Part Number
12.0	50	496133
18.0	50	496134
24.0	50	496135
48.0	50	496136



Reinforced Transfer Adhesive

Pure Acrylic

- Highly versatile double sided scrim reinforced transfer adhesive
- Modified, permanent acrylic adhesive
- Highly aggressive initial tack
- Tremendous resistance to UV light
- Good solution for lamination, fixing & mounting of structured, rough or textured surfaced substrates where dimensional stability is required
- Ideal for use on textiles, cellular foams, metals, plastics, wood, brick, cardboard & many other surfaces
- Temperature range -30 °C to +75 °C
- Highly resistant to environmental elements & can therefore be used outside without the adhesive hardening, degrading or yellowing

Width (mm)	Length (mm)	Part Number
12.0	50	496137
18.0	50	496138
24.0	50	496139
48.0	50	496140



▶ We are here to help...

Our Customer Service advisors are friendly, knowledgeable, and ready to help you find the right product for your application.

▶ Call 0845 758 5070



HERE ARE JUST A FEW OF OUR NEW PRODUCTS

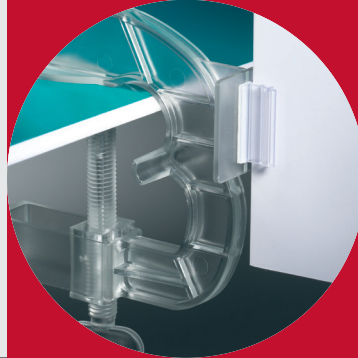


POS GRAPHICS & PRINT DISPLAYS



**Ceiling Clips &
Magnetic Hooks**

▶ See pages 4-6



**Sign &
Ticket Fixings**

▶ See pages 19-23

POS DISPLAY COMPONENTS

**Book &
Binder Screws**

See pages 38-39 ◀



Castors

See pages 43-47 ◀



ADHESIVE TAPES & PADS



**Adhesive
Hanging Tabs**

▶ See page 75

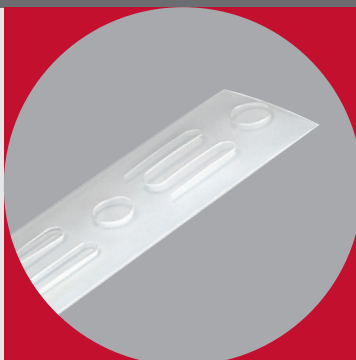


**REQUEST
OUR FULL
COMPONENTS
CATALOGUE
OF OVER
28,000
PRODUCTS**

MERCHANDISING

Hanging Strips

See page 91 ◀

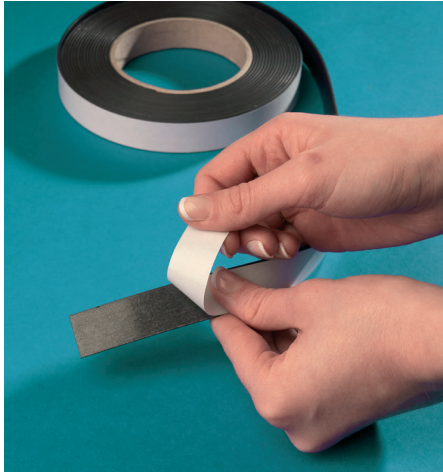


**Cable Display
Systems**

See pages 96-97 ◀



▶ ADHESIVE TAPES & PADS



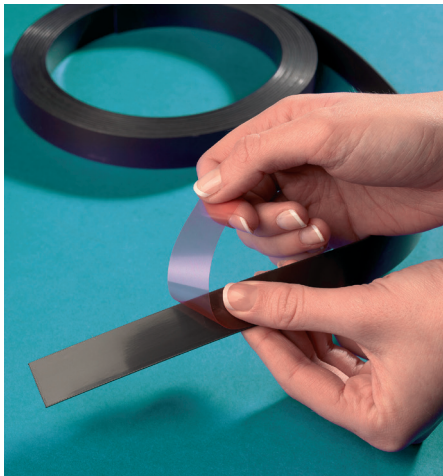
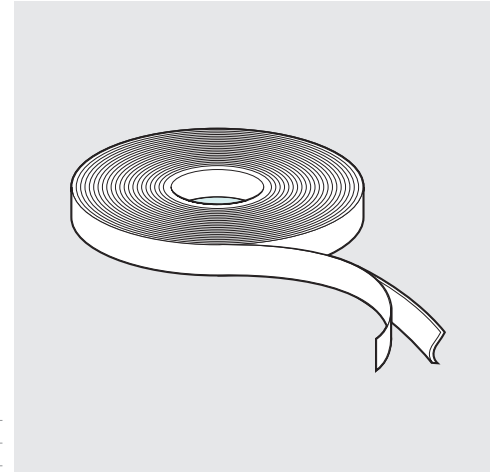
Magnetic Tapes

- Allows retail displays to be changed rapidly
- Our magnetic tape can be applied to printed images or POS displays so they can be secured to in-store steelwork
- Choose from our three adhesive options depending on the surface you are attaching to
- All are 1.5mm thick & come supplied on 30m rolls

1. Standard Adhesive

Recommended for long term performance on to aluminium, steel, paper or card.

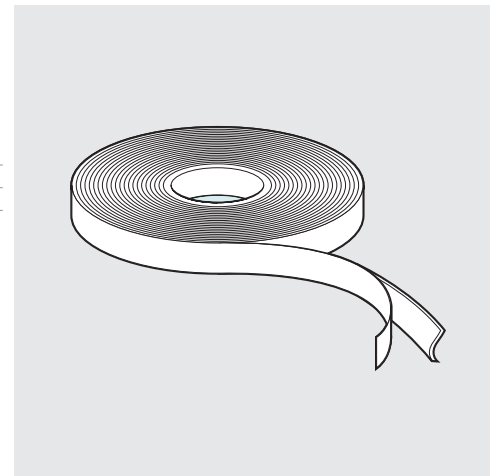
Width (mm)	Magnetism	Part Number
12.5	MAG A	493162
20	MATING	493163
25	MAG B	493164



2. Premium Adhesive

In addition to the qualities of the standard adhesive, this product has good adhesion to ABS, PVC & plasticised substrates

Width (mm)	Magnetism	Part Number
12.5	MAG A	493165
20	MATING	493166
25	MAG B	493167

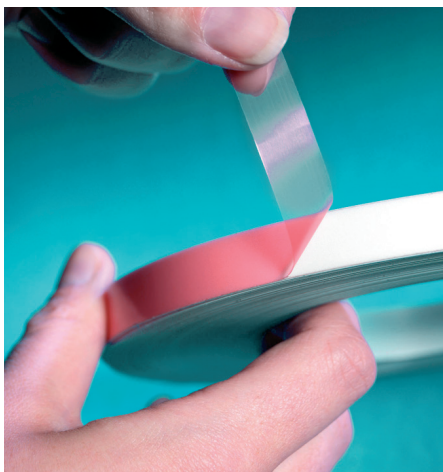
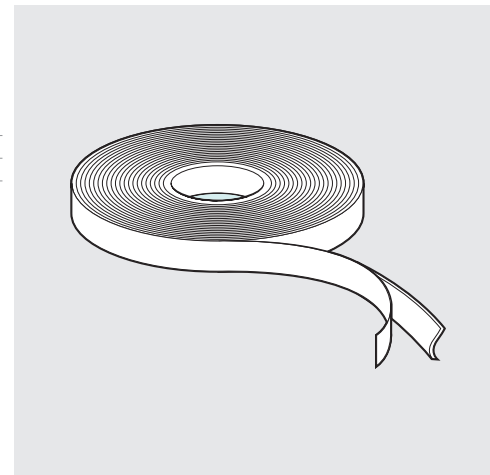


3. Foam Adhesive

Recommended for long term use as per standard adhesive along with rough surfaces & outdoor use

Width (mm)	Magnetism	Part Number
12.5	MAG A	493168
20	MATING	493169
25	MAG B	493170

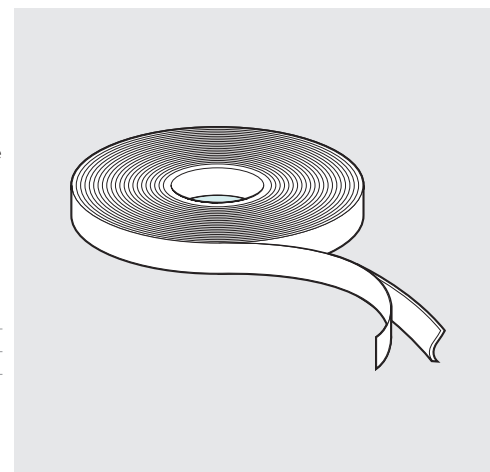
See website for technical details.

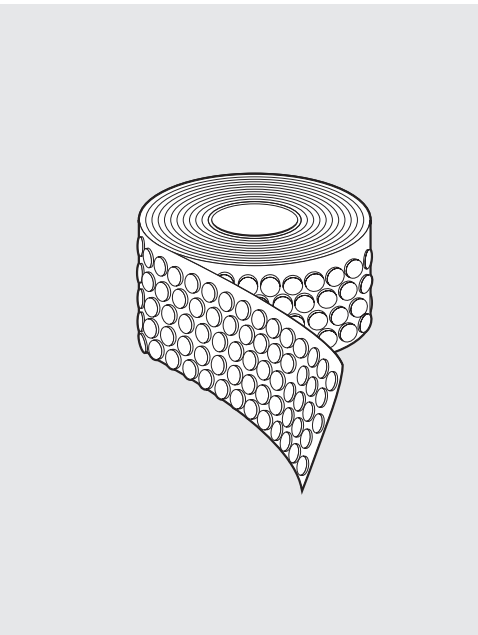


Steel Tapes – White

- Steel tape works directly with our magnetic tape to create a thin, clean, accurate & quick change mounting alternative to other fastening options
- It is only 0.2mm thick & has a gloss white finish with the same choice of adhesives as our magnetic tape
- Supplied on 30m rolls

Width (mm)	Standard Adhesive	Premium Adhesive	Foam Adhesive
	Part Number	Part Number	Part Number
12	493171	493174	493177
20	493172	493175	493178
25	493173	493176	493179



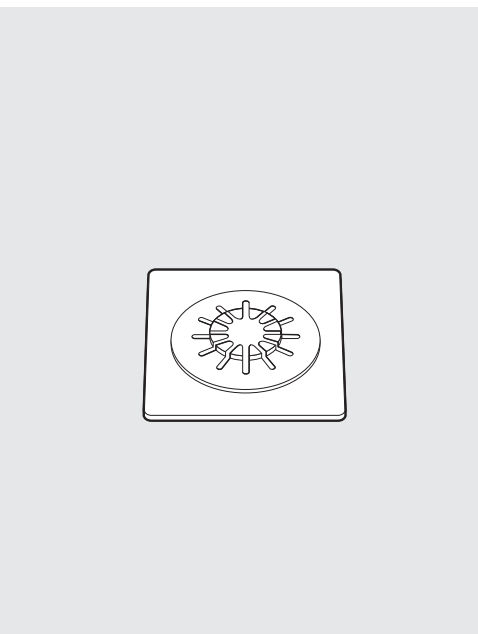


CD Fixers

CD Hubs – Polyolefin Foam

- Foam diameters with permanent adhesive
- For quick assembly when attaching CDs & DVDs to promotional or educational materials
- 1,000 pieces on a roll

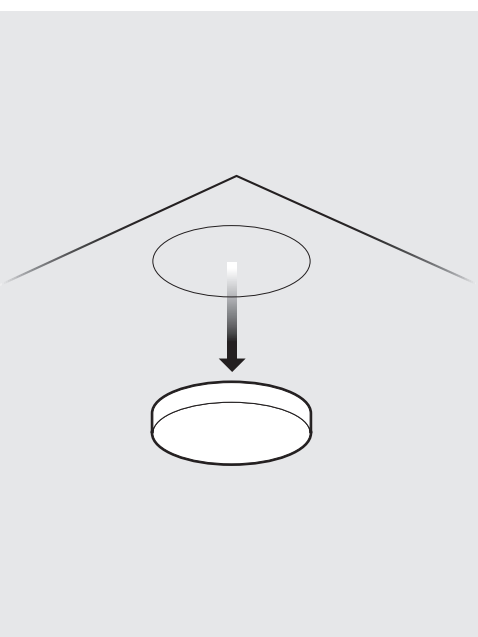
Thickness (mm)	Part Number	Part Number
3.2	White ○ 471835	Black ● 471833



CD Fixers

CD Spider – ABS

Part Number	Part Number	Part Number
Clear ⊗ 469068	White ○ 469069	Black ● 469070



Anti-Skid Adhesive Discs

Black Foam with Permanent Rubber Based Adhesive

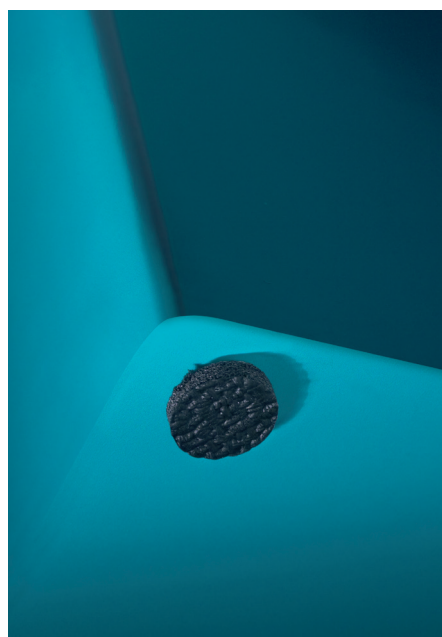
- Single sided foam with non-skid properties
- Designed to bond to many surfaces including corrugated, chipboard, wood, low surface energy plastics & powder coats

Pads of 4 Discs – 12.7 diameter

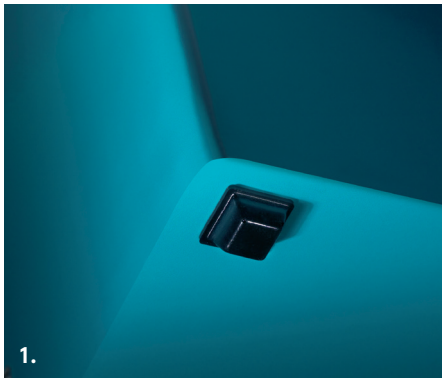
Thickness (mm)	Pads per Carton	Part Number
1.6	2500	471802
3.2	1250	471805

Discs on a Roll – 1000 per roll – 12.7 diameter

Thickness (mm)	Pads per Carton	Part Number
1.6	18	471801
3.2	18	471804



ADHESIVE TAPES & PADS



Stick-On Feet/Buffers

Polyurethane

- Ideal as feet or as furniture door buffers. Easy to apply
- Self-adhesive backing. Suitable for most smooth, dry surfaces

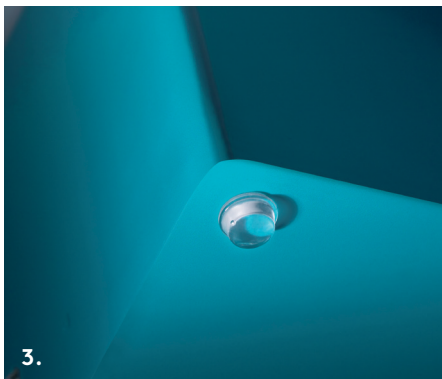
1. Type 1

Dia. (mm)	Height (mm)	Part Number	
		Clear	Black ●
10.2	2.5	RBS-20	RBS-20BK
12.7	3.1	494481	32426
12.7	5.7	462164	32427
20.5	7.5	462172	462171



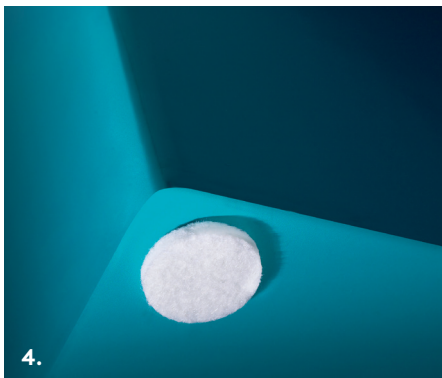
2. Type 2

Dia. (mm)	Height (mm)	Part Number	
		Clear	Black ●
6.4	1.9	462155	-
8.0	2.2	462156	-
10.0	3.1	461232	461230
11.1	5.0	32429	32430
19.0	9.5	461324	32432



3. Type 3

Dia. (mm)	Height (mm)	Part Number	
		Clear	Black ●
10.0	1.8	461238	461236
19.0	1.9	462169	461241
7.5	3.5	461235	32433
12.7	3.5	32434	32435
19.0	4.0	494485	39864
10.0	4.0	462160	462159
14.0	4.5	462165	-
18.0	6.0	-	462168
20.0	6.2	-	43045
20.4	3.5	-	462175



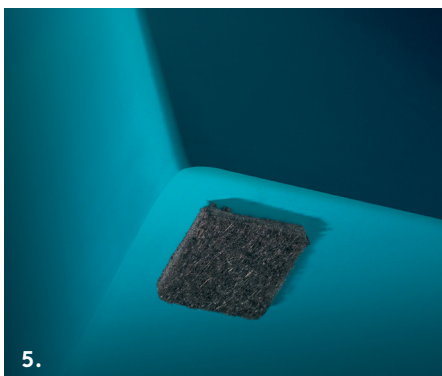
Self-Adhesive Felt Pads

Brown or White Felt

- Can be used on the base of feet on inserts for smooth movement over floor surface

4. Round

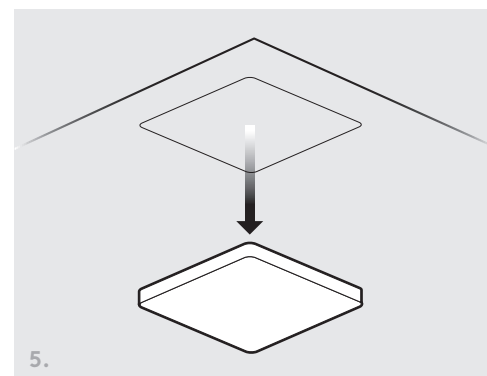
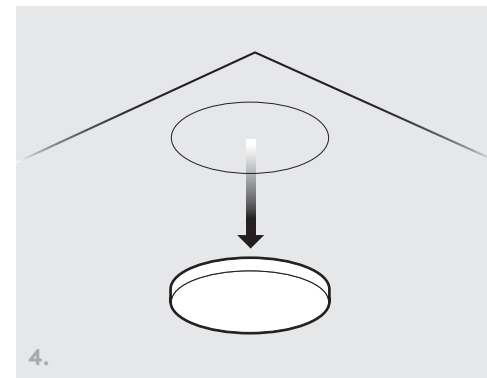
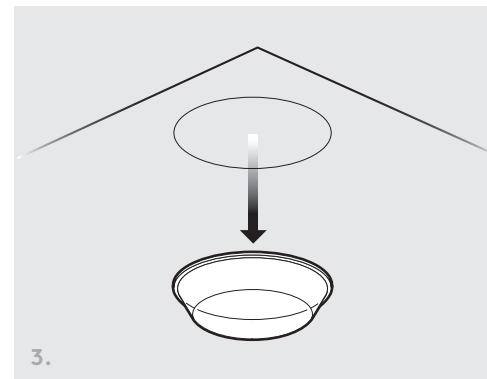
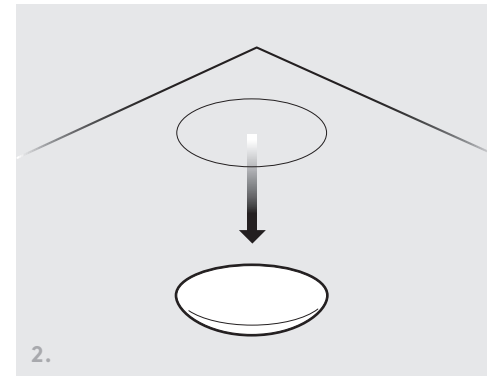
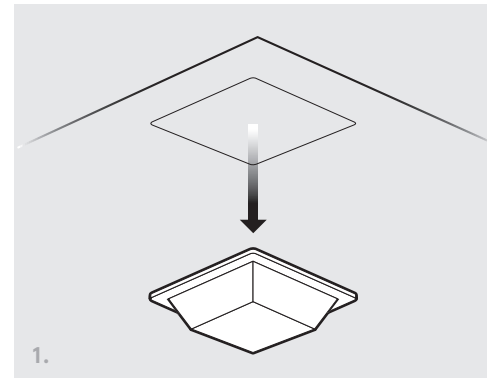
Dia. (mm)	Part Number	
	Brown ●	White ○
10.0	463918	463947
14.0	463919	463948
20.0	463922	463951
24.0	463924	463953
30.0	463927	463956
40.0	463930	463959
50.0	463932	463961
60.0	463933	463962
70.0	463934	463963



5. Square

Dimensions (mm)	Part Number	
	Brown ●	White ○
20 x 20	463935	463964
25 x 25	463936	463965
30 x 30	463937	463966
40 x 40	463939	463968
50 x 50	463941	463970
100 x 100	463942	463971

Other sizes are available please call for details



Moss Glue Dots

Hot Melt adhesive

- Hot melt adhesive glue dots
- Double sided adhesive & pressure sensitive
- Available in removable, permanent & vertical hold
- Ideal for sticking two items together, holding items in place in packaging or printing
- Translucent in colour
- Packed in handy dispensers

Disc Diameter (mm)	Thickness (mm)	Bond	Part Number
5.0	1.0	Removable	493977
10.0	1.0	Removable	493980
16.0	1.0	Removable	496767
5.0	1.0	Permanent	493978
10.0	1.0	Permanent	493981
16.0	1.0	Permanent	496768
5.0	1.0	Vertical Hold	493979
10.0	1.0	Vertical Hold	493982
16.0	1.0	Vertical Hold	496769



Moss Sealing Discs

Polypropylene with Acrylic - Based Adhesive

- Clear acrylic based adhesive, sealing discs
- Ideal for the economical, professional finish
- Available with a permanent or removable bond
- Optional centre-perforation or plain discs
- FDA approved

Disc Dia. (mm)	Perforated	Bond	Part Number
18.0	No	Removable	494791
18.0	No	Permanent	494792
25.0	No	Removable	494793
25.0	Yes	Removable	494795
25.0	No	Permanent	494794
25.0	Yes	Permanent	494796
34.0	No	Permanent	494797
34.0	No	Permanent	494798

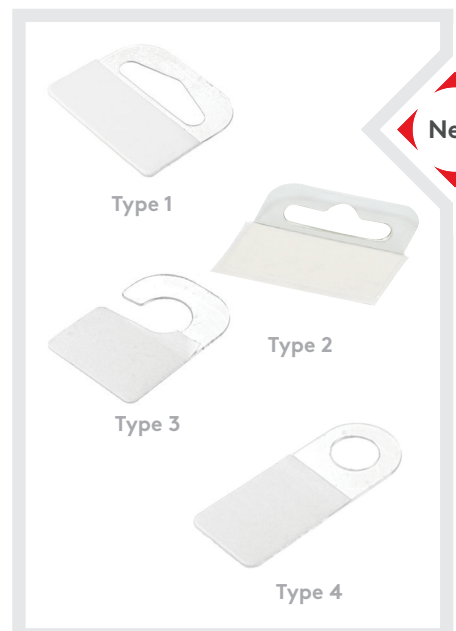


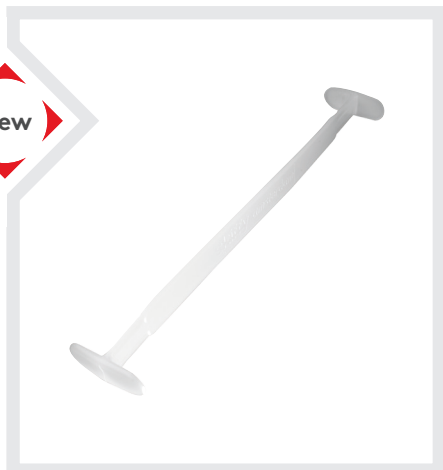
Adhesive Hanging Tabs

PET

- Clear Tabs with open or closed hook option
- Adhesive hanging tabs for hanging products on a display

Overall Length x Height (mm)	Hole Length (mm)	Hole Height (mm)	Hole Dia. (mm)	Type	Part Number
40 x 18	30	10	-	1	496926
43 x 37	32	10	-	1	496920
40 x 34	30	10	-	1	496927
40 x 34	30	10	-	1	496921
50 x 50	35	13	-	2	496922
27 x 40	-	-	13	3	496928
21.5 x 35	-	-	8	3	496923
15 x 40	-	-	8.5	4	496924
25 x 26	-	-	8.5	4	496925



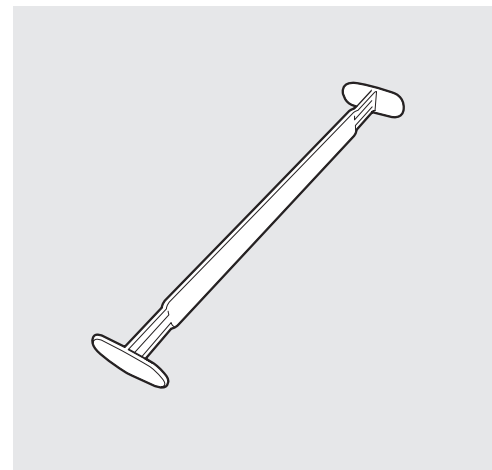


Plastic Handles

LDPE

- Easy-fit carry handle
- White

Length (mm)	Width (mm)	Height (mm)	Part Number
150	12.5	27	157015000004



Plastic Handles

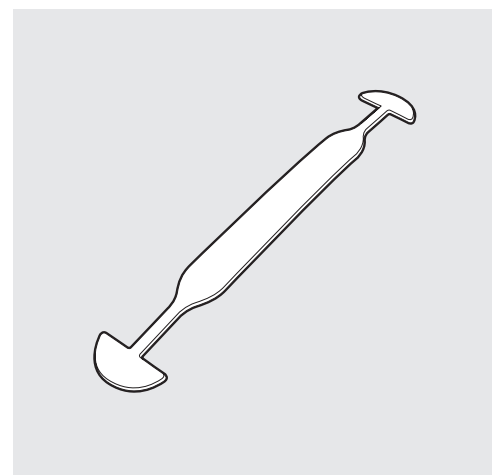
LDPE

- Easy-fit carry handle and optional re-inforced plate
- The plastic plate gives extra strength to packaging
- Only available in white
- Type 1 - Flat Handle
- Type 2 - Longitudinal Handle

Size (mm)	Colour	Type	Part Number
158 x 28	White	1	496990
158 x 28	Black	1	496991
160 x 16	White	2	496992
160 x 16	Black	2	496993

Re-inforced Plate for plastic handles

Length (mm)	Width (mm)	Fits handle Type	Part Number
150	30	1	496994
150	30	2	496989

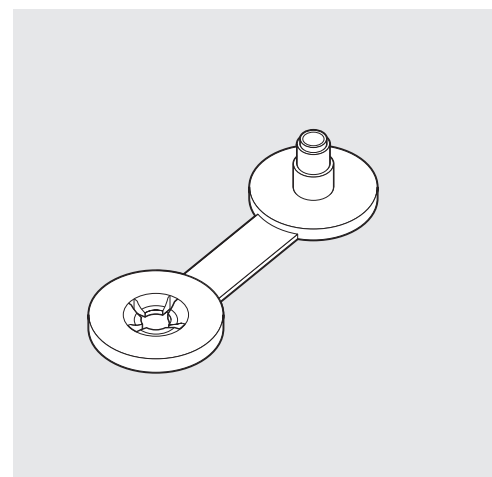


Sample Locking Bags

Nylon

- Provides strong connections for a wide range of material thicknesses
- Re-locking of bags, envelopes, etc
- Available in red or white

Dimension (mm)	Colour	Part number
4.0	Red	043000112401
4.0	White	043000150001

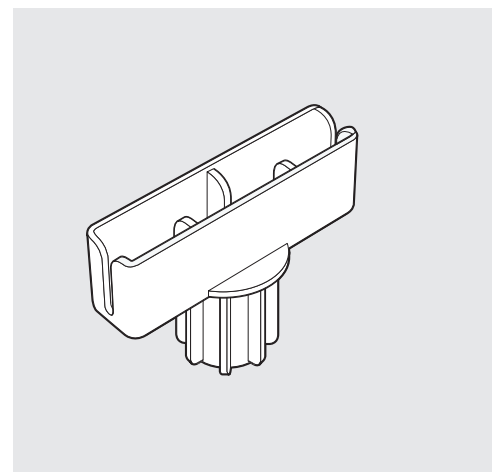


Sign Holders for Tubes

Polystyrene

- For tubes with 21mm thick internal diameter
- Holds up to 1.5mm thick material

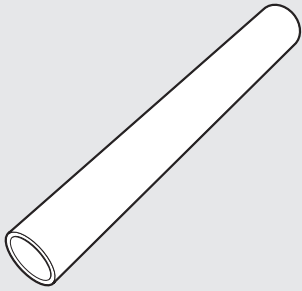
Size (mm)	Width (mm)	Part Number
60 x 20	14	496984



Flag Tubes
Polystyrene

- Available with or without a split to hang your print
- Attach securely using the Flag Base range below

Length (mm)	Diameter (mm)	Split	Part Number
600	19	Yes	496978
1500	7	Yes	496971
600	19	No	496977
1500	7	No	496970



Flag Bases
Polystyrene

- Available in straight or angled positions
- The above Flag Tubes push into these bases and hold securely

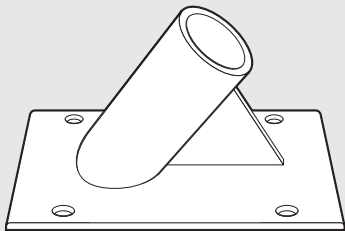
Rectangular Base

Length x Width (mm)	Dia. (mm)	Adhesive	Type	Part Number
38.5 x 21	7	Yes	Straight	496972*
40.0 x 20	7	Yes	Angled	496973*
100.0 x 50	19	Yes	Angled	496979

* Fits internally into the Flag Tubes

Round Base

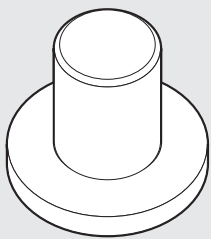
Height (mm)	Dia.(mm)	Adhesive	Type	Part Number
16	7	Yes	Angled	496974
16	7	No	Straight	496976



Caps for Flag Tubes
Polystyrene

- For 7mm diameter tube

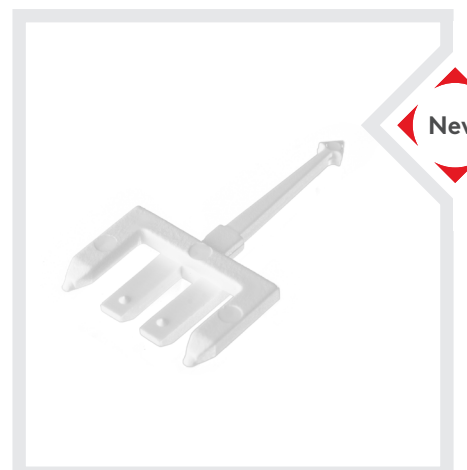
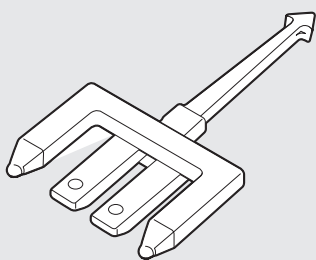
Overall Dia. (mm)	Part Number
9.8	496975



Neptune Clips
Polystyrene

- Clips into tube ends & holds print in place
- For 7mm diameter tube

Height (mm)	Width (mm)	Part Number
53	28	496919



POP Clip Components

Component parts for customising your POP Clips

Clips

Polystyrene/POM

Product Name	Head Style	Width (mm)	Length (mm)	Max Grip Range (mm)	Part Number
Small Clip	1	22.0	38.5	12	497011
Large Clip	2	26.0	58.0	40	497010
Spring Clip	3	80.0	40.0	15	497009
Butterfly Clip	4	23.0	25.0	6	497013
Small Butterfly Clip	5	12.5	33.0	10	497012
Small Card Holder	6	27.0	27.0	0.2-0.8	497014
Large Card Holder	7	50.0	31.0	0.2-0.8	497015

Bases

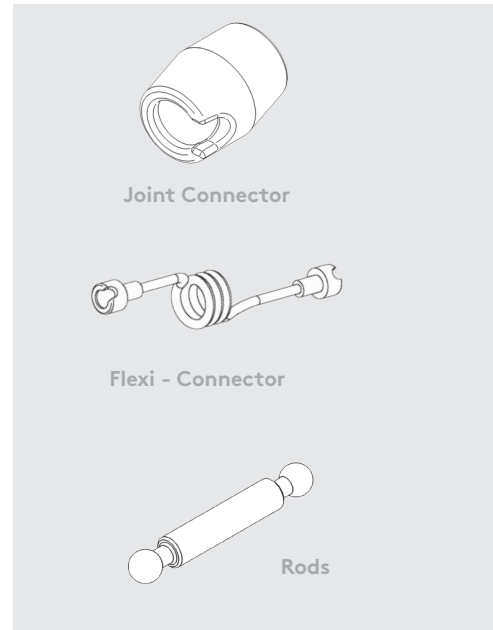
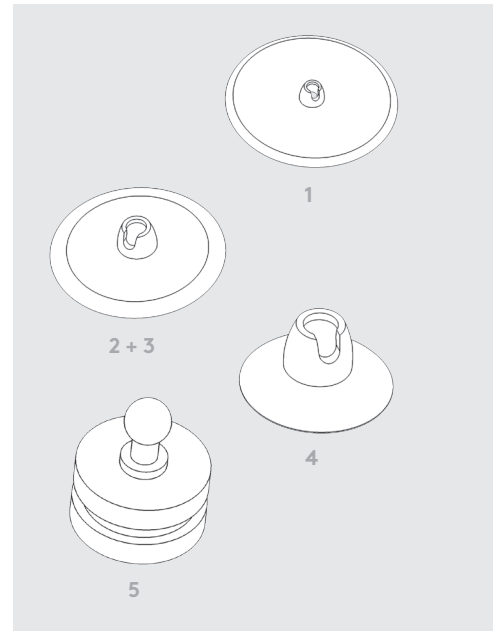
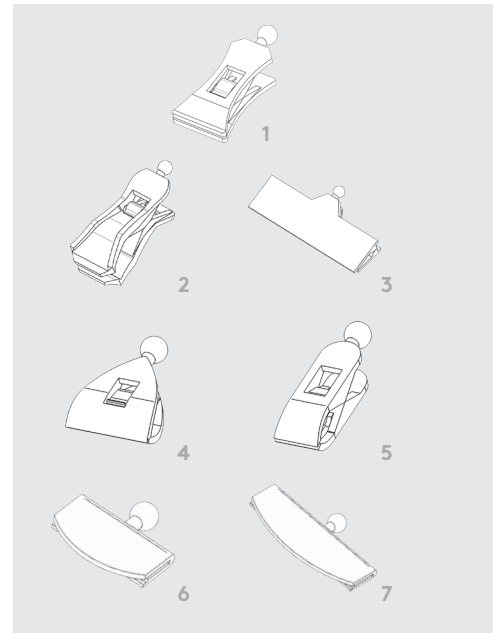
• A range of magnetic, adhesive & non-adhesive bases

Product Name	Dia. (mm)	Height (mm)	Style	Part Number
Extra Large Base	90	12	1	497020
Large Base	55	12	2	497021
Medium Base	40	12	3	497022
Small Adhesive Base	28	15	4	497023
Magnetic Base	20	23	5	497024

Rods

• Available in flexible or fixed

Product Name	Length (mm)	Part Number
Joint Connector	15	497016
Small Rod	50	497017
Large Rod	100	497018
Flexi - Connector	280	497019



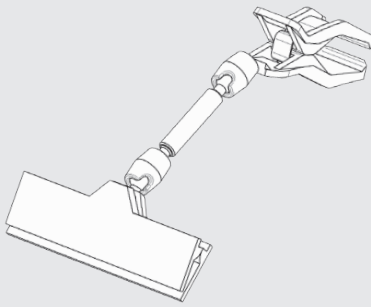
POP Clips - Rod Connector

Type 1

- With or Without Rod Connector
- Type 1 - With Clip Style 2 and Clip Style 3

Overall Length (mm)	Part Number
110	497025†
130	497233
160	497026
210	497027

† No Rod Connector



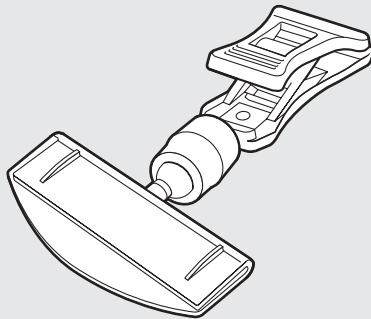
497026

Type 2

- With or Without Rod Connector
- Type 2 - With Clip Style 1 and Clip Style 7

Overall Length (mm)	Part Number
85	497052†
135	497053
185	497055

† No Rod Connector



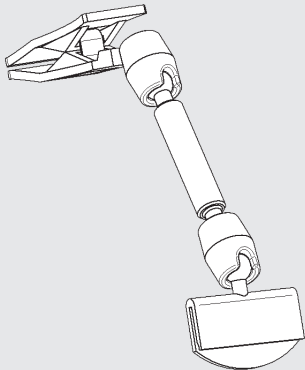
497051

Type 3

- With or Without Rod Connector
- Type 3 - With Clip Style 1 and Clip Style 6

Overall Length (mm)	Part Number
75	497059†
125	497056
175	497057

† No Rod Connector



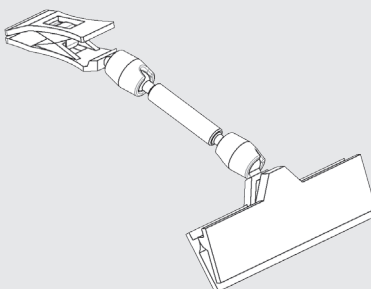
497057

Type 4

- With or Without Rod Connector
- Type 4 - With Clip Style 1 and Clip Style 3

Overall Length (mm)	Part Number
100	497048†
150	497049
200	497051

† No Rod Connector



497048

* Please refer to page 78 for head, connector and base styles



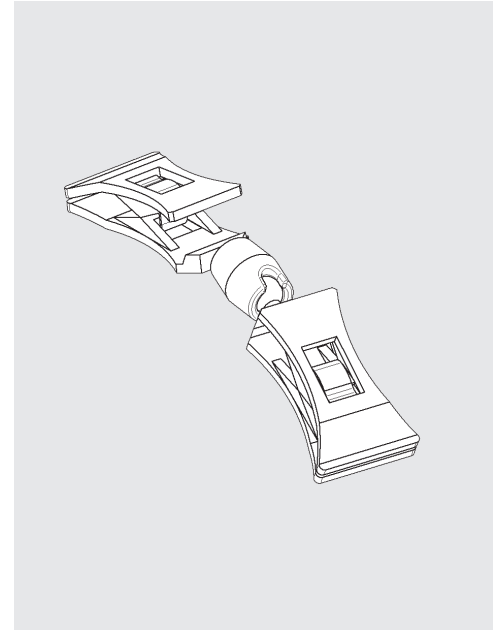
497042

Type 5

- With or Without Rod Connector
- Type 5 - With Clip Style 1 and Clip Style 1

Overall Length (mm)	Part Number
100	497042†
150	497043
200	497044

† No Rod Connector



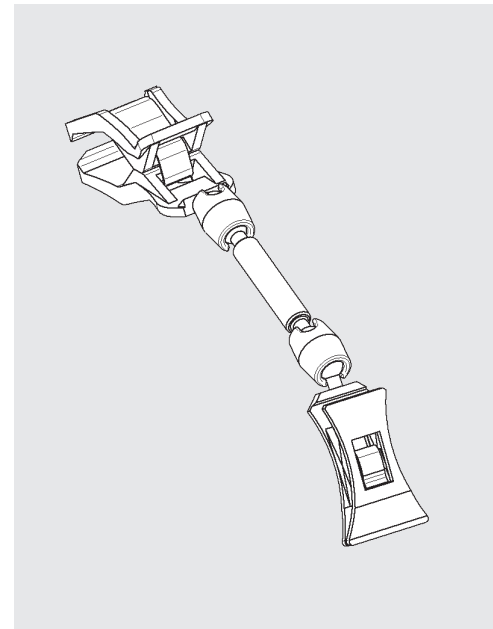
497038

Type 6

- With or Without Rod Connector
- Type 6 - With Clip Style 2 and Clip Style 1

Overall Length (mm)	Part Number
115	497037†
165	497038
215	497039

† No Rod Connector



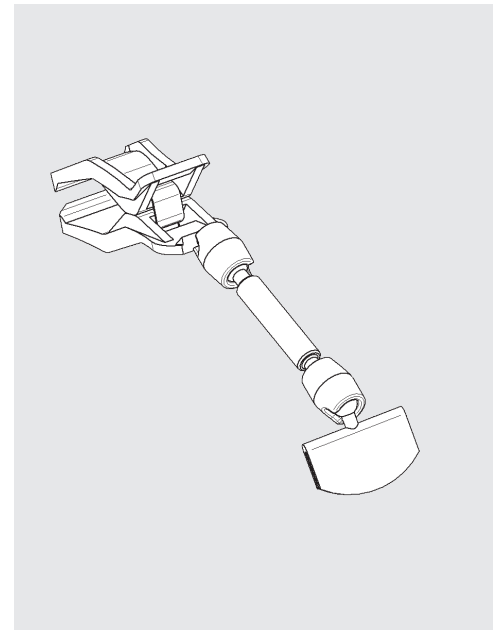
497034

Type 7

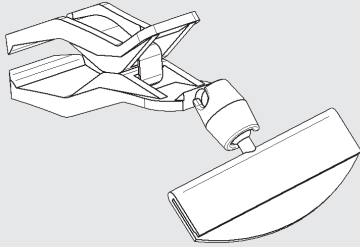
- With or Without Rod Connector
- Type 7 - With Clip Style 2 and Clip Style 6

Overall Length (mm)	Part Number
95	497033†
145	497034
195	497035

† No Rod Connector



* Please refer to page 78 for head, connector and base styles

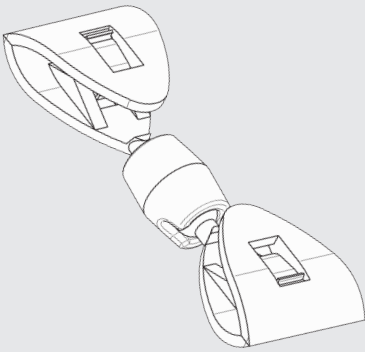


Type 8

- With or Without Rod Connector
- Type 8 - With Clip Style 2 and Clip Style 7

Overall Length (mm)	Part Number
100	497029†
150	497030
200	497031

† No Rod Connector



Type 9

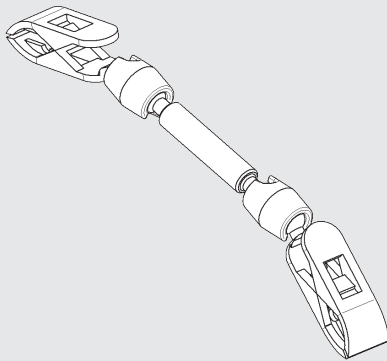
- With or Without Rod Connector
- Type 9 - With Clip Style 4 on both ends

Overall Length (mm)	Part Number
68	497060†

† No Rod Connector



497060



Type 10

- With or Without Rod Connector
- Type 10 - With Clip Style 5 on both ends

Overall Length (mm)	Part Number
85	497061†
130	497062
180	497063

† No Rod Connector



497062

* Please refer to page 78 for head, connector and base styles



POP Clips - Multi-Jointed

Polystyrene/POM

- Multiple joints enable print to be positioned and repositioned if required
- Ideal for print marketing in a busy retail environment
- Type 1 - Head style 1 on one end and a choice on the other - refer to styles on page 78 for reference

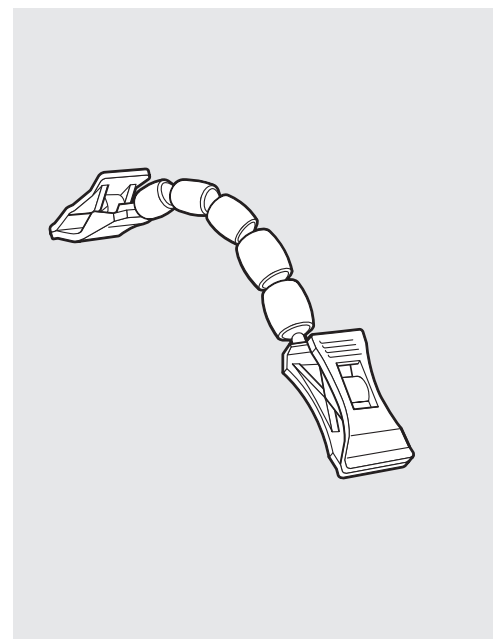
Overall Length (mm)	Head Style	Part Number
156	6	497058
159	7	497054
161	4	497047
168	3	497050
177	1	497045
195	2	497040

- Type 2 - Head style 2 on one end and a choice on the other - refer to styles on page 78 for reference

Overall Length (mm)	Head Style	Part Number
175	6	497036
180	3	497028
180	7	497032

- Type 2 - Head style 5 on both ends - refer to styles on page 78 for reference

Overall Length (mm)	Part Number
163	497064

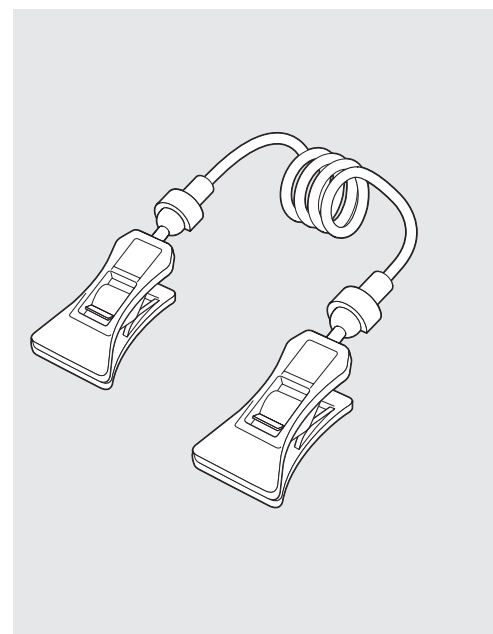


POP Clips - Flexible Rod

Polystyrene/POM

- Flexible rod style clip with a head style 1 on one end and a choice on the other end - refer to styles on page 78 for reference

Overall Max Length (mm)	Head Style	Part Number
310	1	497046
330	2	497041

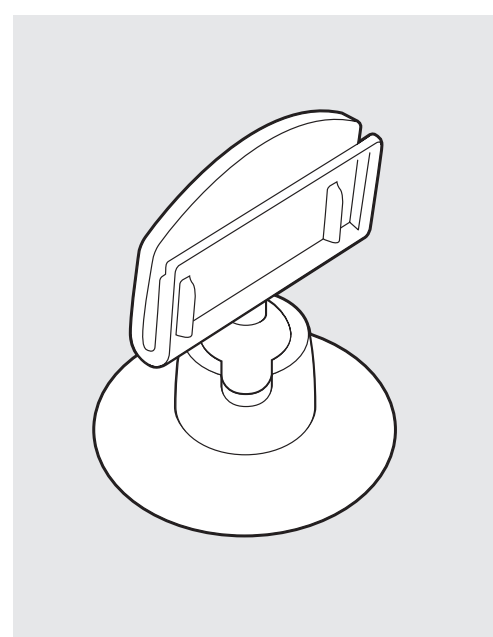


POP Clips - Adhesive Base

Polystyrene/POM

- 28mm diameter adhesive base with a choice of head styles - refer to styles on page 78 for reference

Height (mm)	Head Style	Part Number
35	6	497078
49	5	497079
55	1	497077



* Please refer to page 78 for head, connector and base styles

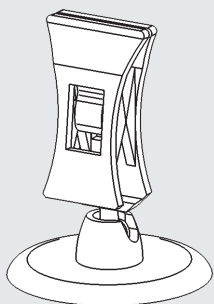
POP Clips – Round Base
Polystyrene / POM

- 3 Different base sizes available

Type 1 - Head style 1

Height (mm)	Base Dia. (mm)	Part Number
55	40	497074†
105	40	497075
105	90	497073
155	40	497076

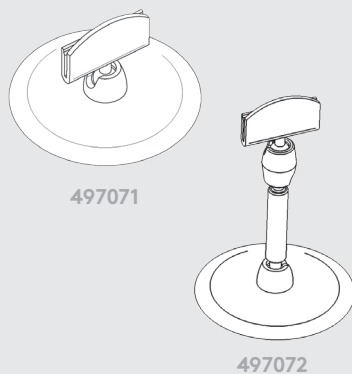
† No Rod Connector



Type 2 - Head style 6

Height (mm)	Base Dia. (mm)	Part Number
35	55	497071†
85	55	497072

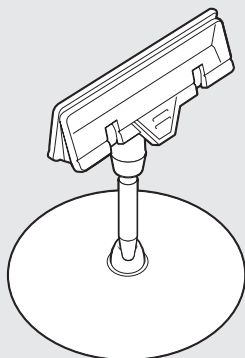
† No Rod Connector



Type 3 - Head style 3

Height (mm)	Base Dia. (mm)	Part Number
50	90	497065†
100	90	497066
150	90	497067

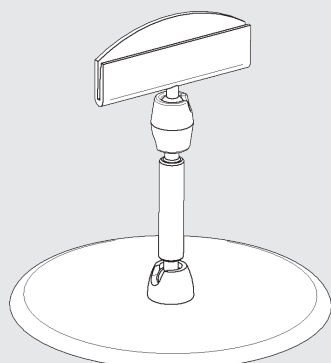
† No Rod Connector



Type 4 - Head style 7

Height (mm)	Base Dia. (mm)	Part Number
45	90	497068†
95	90	497069
145	90	497070

† No Rod Connector



* Please refer to page 78 for head, connector and base styles



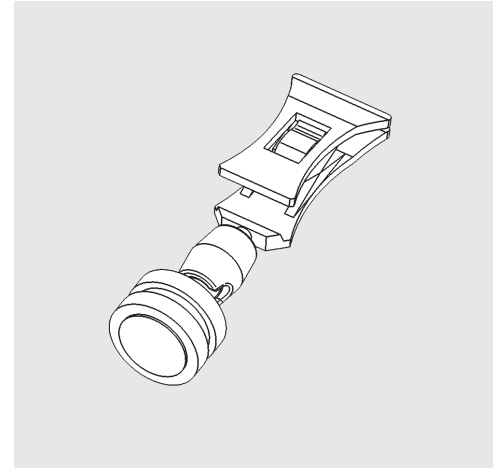
POP Clips – Magnetic Base
Polystyrene / POM

- 20mm diameter magnetic base with a choice of head styles - refer to styles on page 78 for reference
- With out without Rod Connectors

Type 1 - Head style 1

Overall Length (mm)	Part Number
70	497086†
120	497092
170	497093
285	497094*

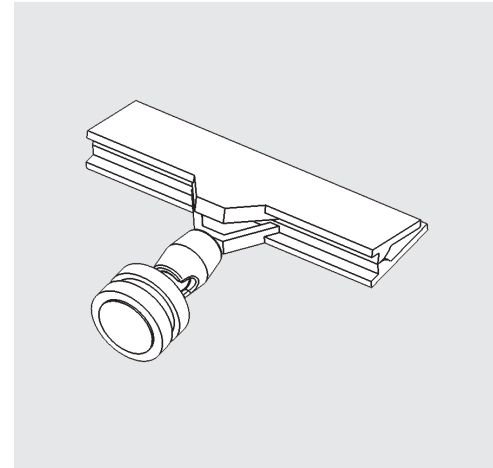
† No Rod Connector
*Flexi-Connector



Type 2 - Head style 3

Overall Length (mm)	Part Number
65	497089†
120	497090
170	497091

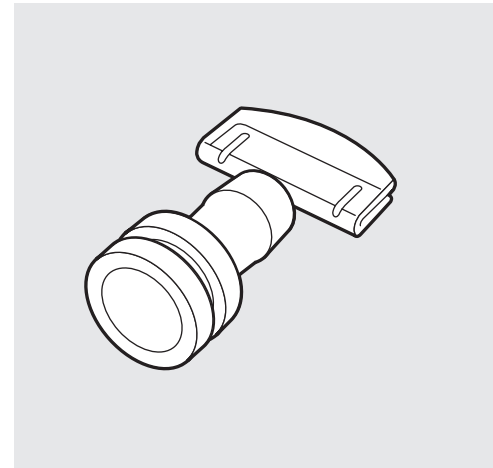
† No Rod Connector



Type 3 - Head style 6

Overall Length (mm)	Part Number
53	497088†

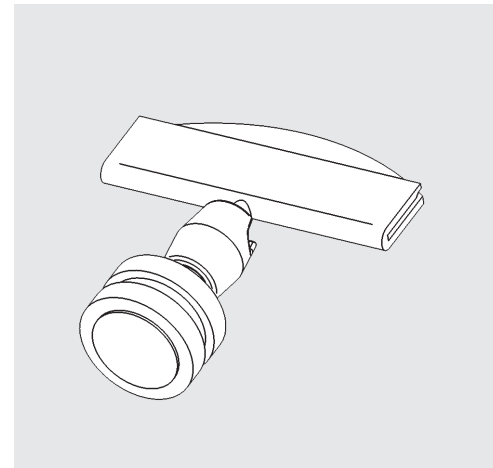
† No Rod Connector



Type 4 - Head style 7

Overall Length (mm)	Part Number
55	497087†

† No Rod Connector

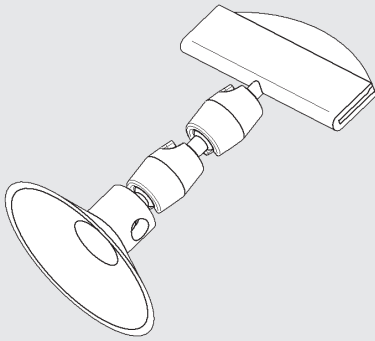


* Please refer to page 78 for head, connector and base styles

POP Clips - Suction Pad Base
Polystyrene / POM

- 45mm diameter suction pad base, which enable the pop clip to be attached to most flat surfaces
- Fixed with two joint connectors
- Refer to head styles on page 78 for reference

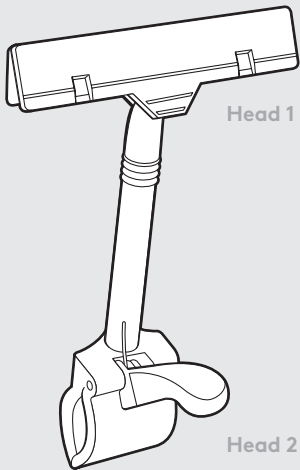
Overall Length (mm)	Head Style	Part Number
76	6	497085
80	7	497080
82	4	497081
88	3	497084
90	5	497082
95	1	497083



Heavy Duty POP Clips
ABS

- Holds securely
- Heavy Duty Thumb Clamp clip one end, spring clip on the other

Rod Length (mm)	Head 1 Grip Range (mm)	Head 2 Grip Range (mm)	Colour	Part Number
154	8	30	White	497095
154	8	30	Black	497096



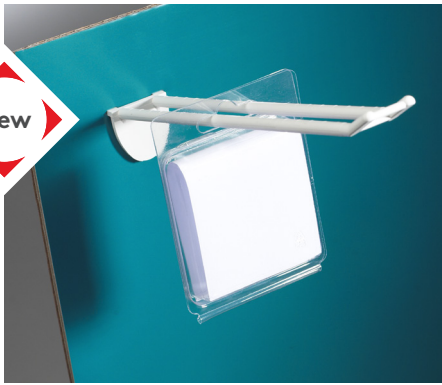
* Please refer to page 78 for head, connector and base styles

We are here to help...

Our Customer Service advisors are friendly, knowledgeable, and ready to help you find the right product for your application.



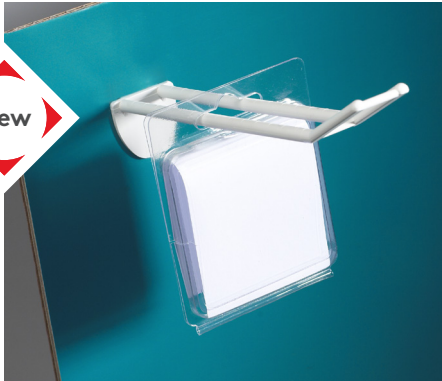
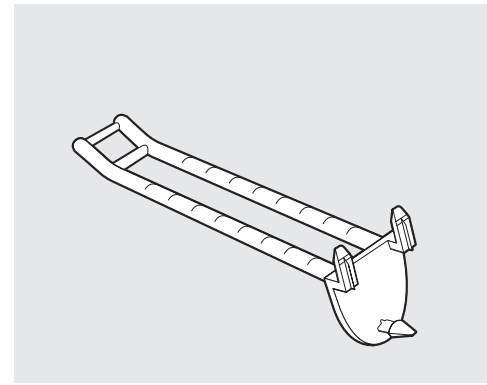
 **Call 0845 758 5070**



Pegboard Hooks Square End - Stab in Type 1
Nylon

- Small End Clip

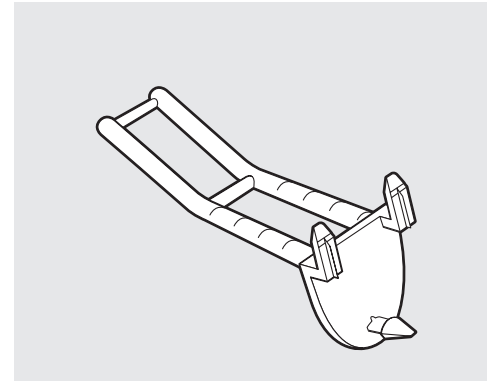
Length (mm)	White	Black
50	496788	496793
100	496789	496794
150	496790	496795
200	496791	496796
250	496792	496797



Pegboard Hooks Square End - Stab in Type 2
Nylon

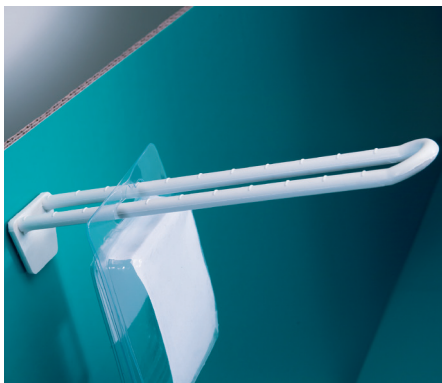
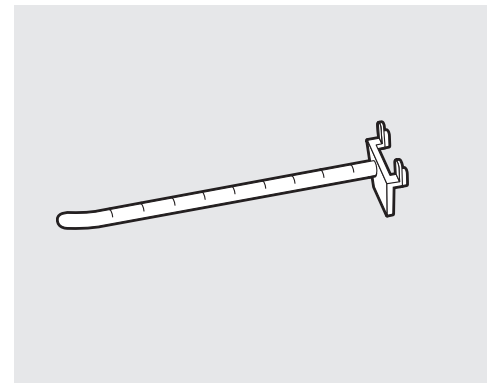
- Large End Clip
- White

Length (mm)	Part Number
50	496798
100	496799
150	496800
200	496801
250	496802



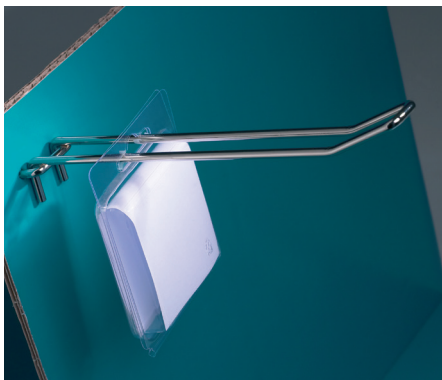
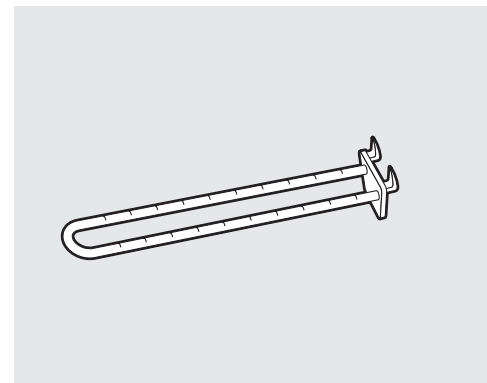
Single Prongs Stab-in

Length (mm)	Part Number	
	Natural ☉	Black ●
63	464815	469076
88	464816	469077
102	464817	469078
140	464818	469079
164	464819	469080
215	464820	469081



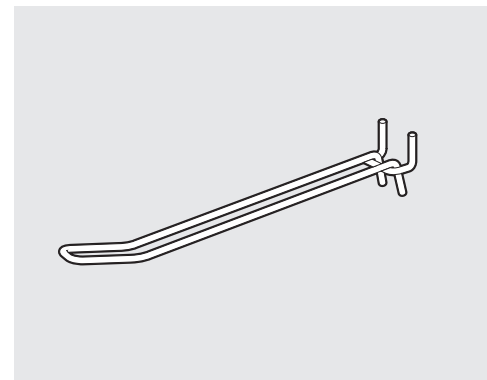
Double Prongs Stab-in

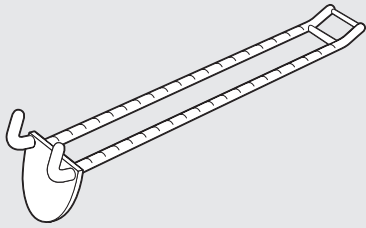
Length (mm)	Part Number	
	Natural ☉	Black ●
102	469082	469084
155	469083	469085
204	469086	-



Steel Pegboard Hooks

Length (mm)	Part Number
240	464812
350	464813

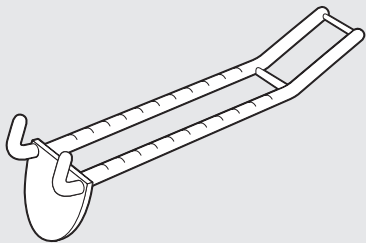
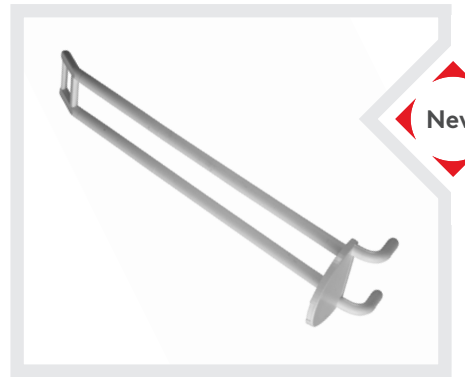




Pegboard Hooks Square End - Type 1
Nylon

- Small End Clip
- White

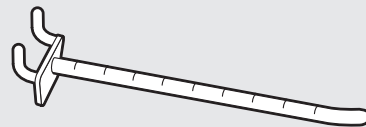
Length (mm)	White	Black
50	496808	496813
100	496809	496814
150	496810	496815
200	496811	496816
250	496812	496817



Pegboard Hooks Square End - Type 2
Nylon

- Large End Clip
- White

Length (mm)	Part Number
50	496818
100	496819
150	496820
200	496821
250	496822



Merchandising Hooks
Natural Nylon or ABS

- Ideal for temporary & cardboard displays.

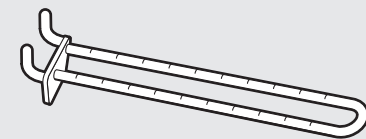
1. Single Prong for Peg Hole

Length (mm)	Part Number
102	469102
151	469103
202	469104



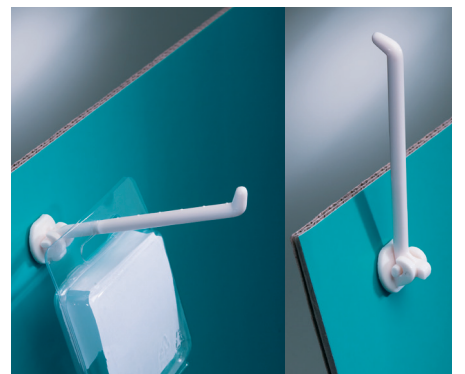
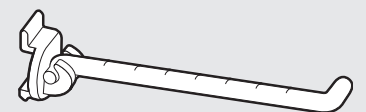
2. Double Prong for Peg Hole

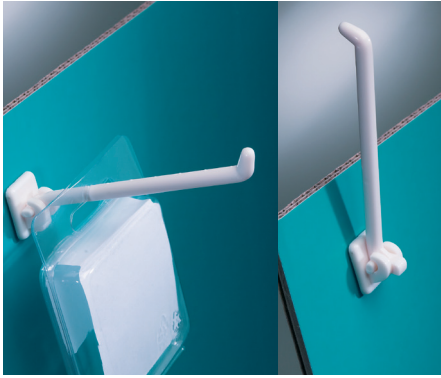
Length (mm)	Part Number
102	464809
155	464810
207	464811



Fold-up Hooks for Cardboard Slot
Natural Colour Type 1

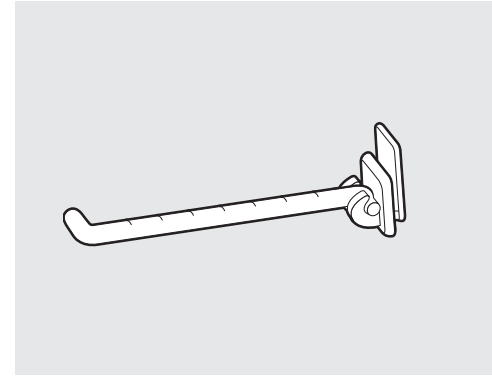
Length (mm)	Part Number
98	469100





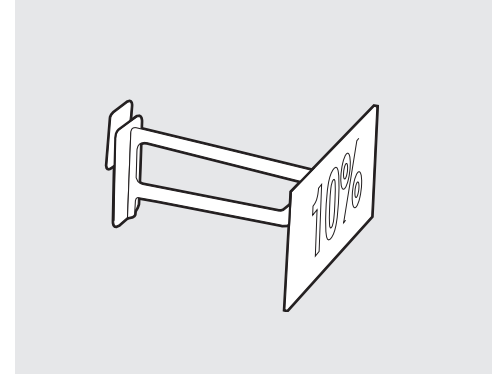
Fold-up Hooks for Cardboard Slot – Natural Colour Type 2

Length (mm)	Part Number
98	469101



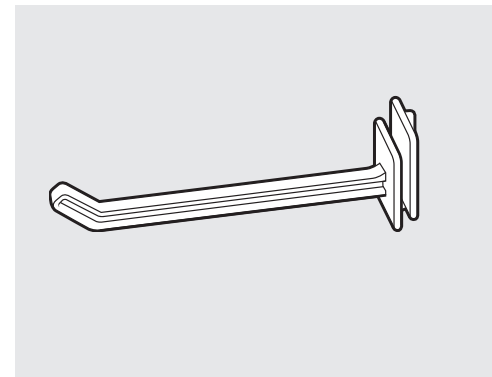
Label Fronted for Cardboard Slots – Natural Colour

Length (mm)	Part Number
88	469097
152	469098
203	469099



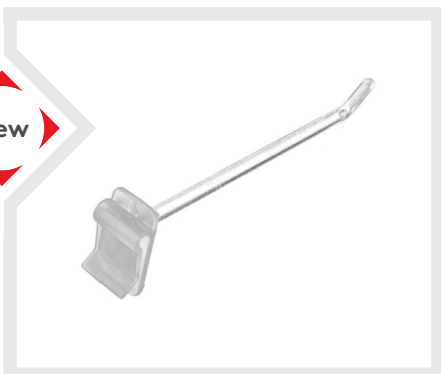
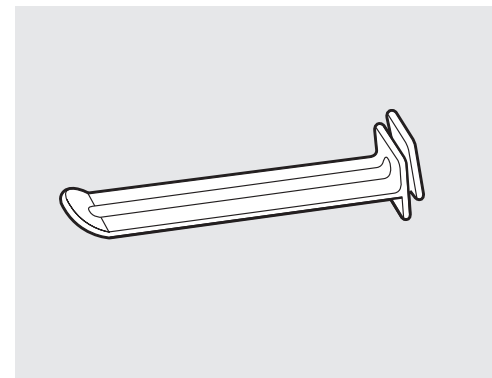
Single Prongs for Cardboard Slots

Length (mm)	Part Number
65	469090
100	469091
119	469092
140	469093
197	469094



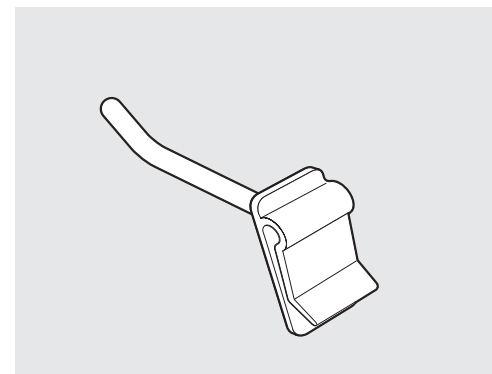
Flat Prongs for Cardboard Slots

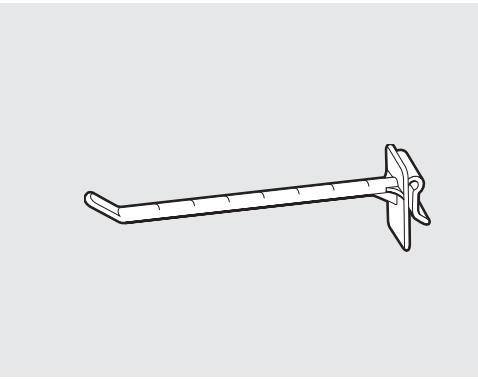
Length (mm)	Part Number
54	469087
98	469088
113	469089



**Single Prong Hooks
Polystyrene**

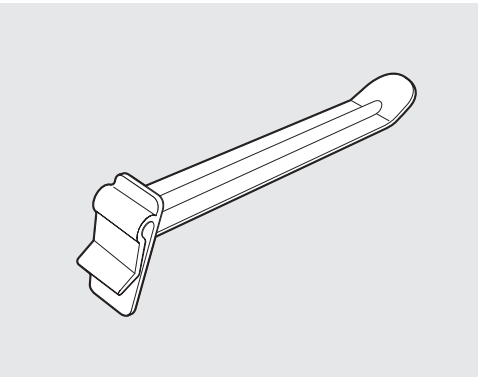
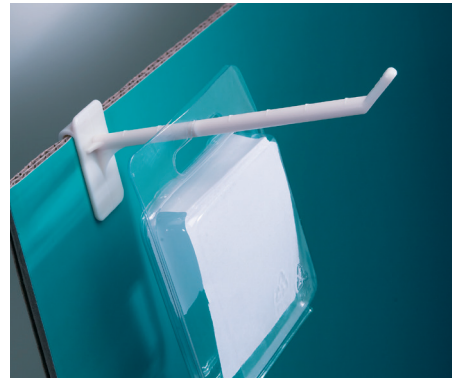
Length (mm)	Clear	White
50	497000	-
100	497001	-
150	497003	497002





Single Prongs for Top-edge Slots – Natural Colour

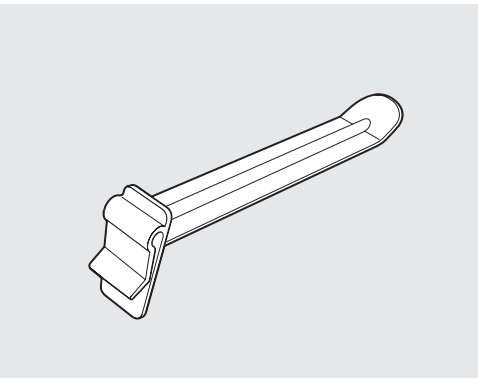
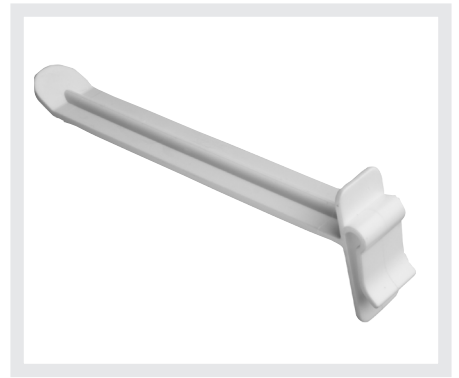
Length (mm)	Part Number
98	469095
183	469096



**Flat Hooks
Polystyrene**

- High Back Plate
- White

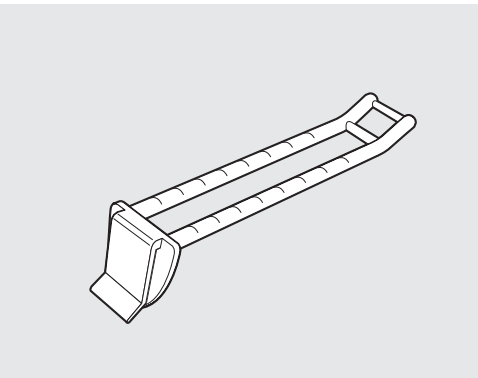
Length (mm)	Part Number
100	496838
120	496839



**Universal Flat Merchandising Hooks
Polystyrene**

- Flat Hook

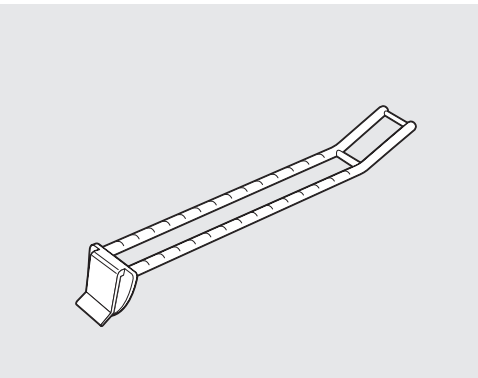
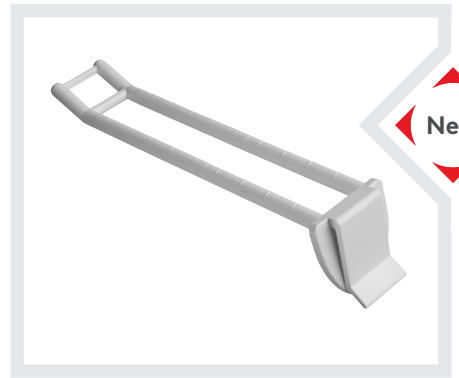
Length (mm)	White	Black	Clear
20	496828	-	-
50	496829	-	-
70	496830	497004	496995
100	496831	497005	496996
120	496832	497006	496997
150	496833	497007	496998
170	496834	497008	496999
190	496835	-	-
210	496836	-	-
250	496837	-	-



**Universal Merchandising Hooks - Type 1
Nylon**

- Universal double pronged merchandising hook Small End Clip
- White

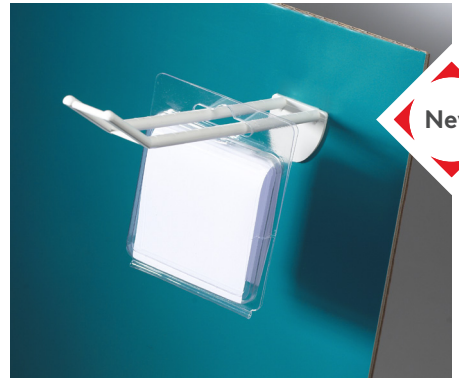
Length (mm)	Part Number
50	496778
100	496779
150	496780
200	496781
250	496782



**Universal Merchandising Hooks - Type 2
Nylon**

- Universal double pronged merchandising hook Large end Clip
- White

Length (mm)	Part Number
50	496783
100	496784
150	496785
200	496786
250	496787

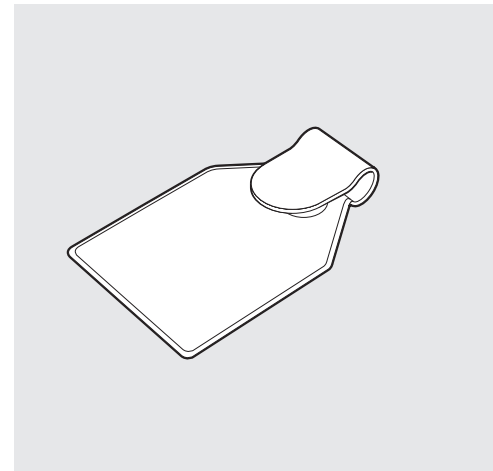




Locking Swing Tags Polypropylene

- Clip-On Design
- Attaches to merchandising hooks to display price tags

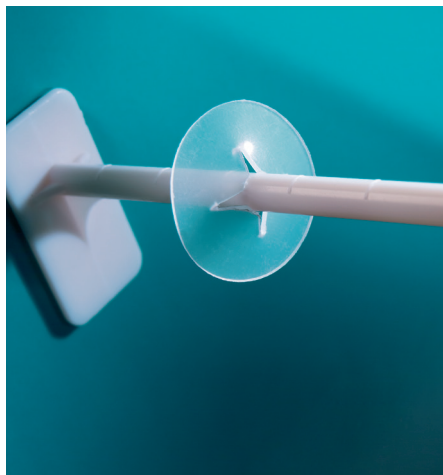
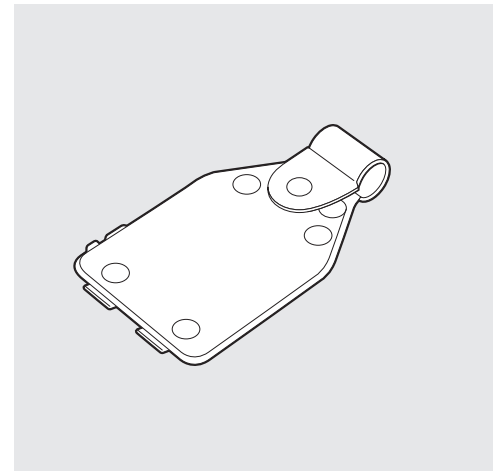
Size (mm)	Type	Part Number
30.0 x 47	1	496856
24.5 x 41	2	496857
54.0 x 34	3	496858
28.0 x 42	4	496859



Swing Tags Polypropylene

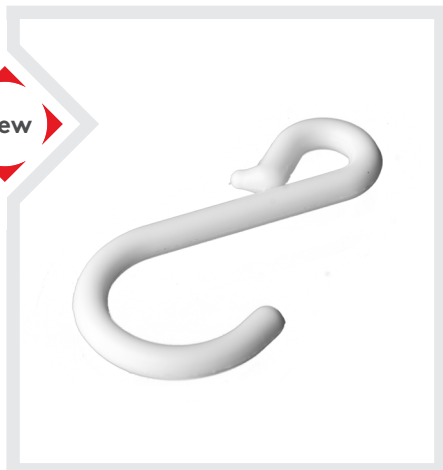
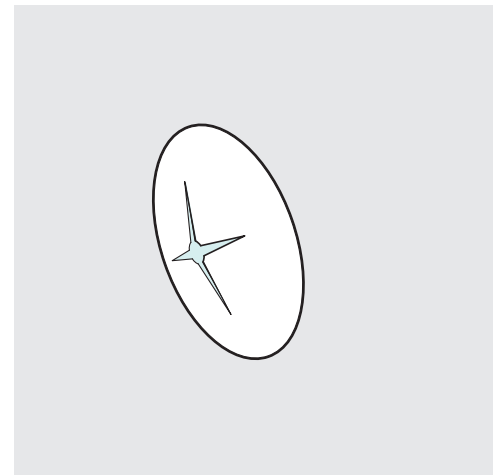
- Clip-On Design
- Attaches to merchandising hooks to display price tags

Size (mm)	Tag hook Dia. (mm)	Part Number
27.5 x 28	5mm	496855



Stop Limiters for Single Prong Hooks – Natural Colour

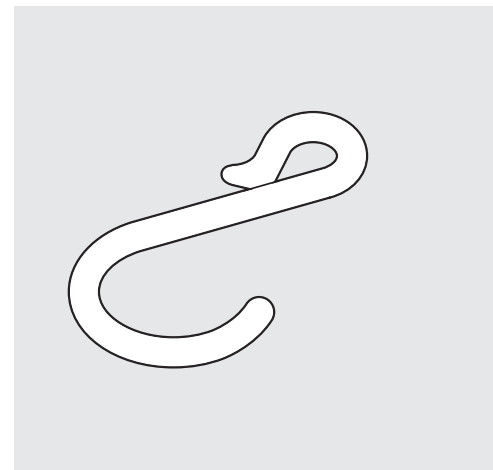
Diameter (mm)	Part Number
26	469106
56	469107

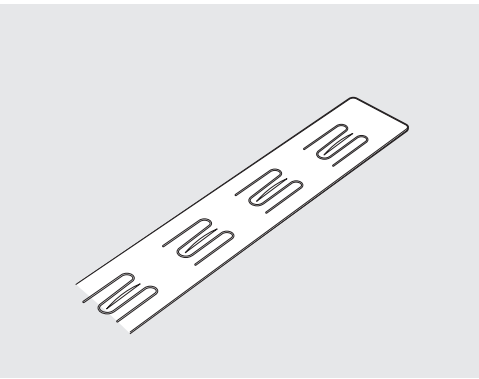


Ticket Strip Hooks Polypropylene

- Hang ticket strips with this white hook
- Can be clipped to shelf edges & hold multiple ticket strips

Height (mm)	Width (mm)	Part Number
48	26	496854

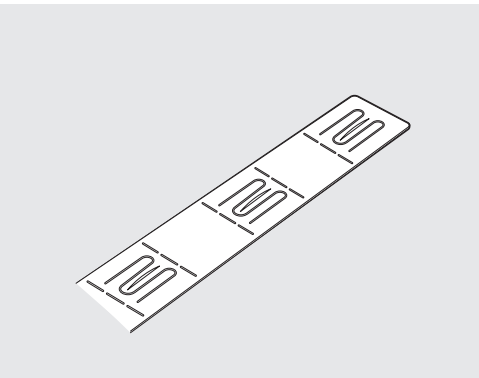
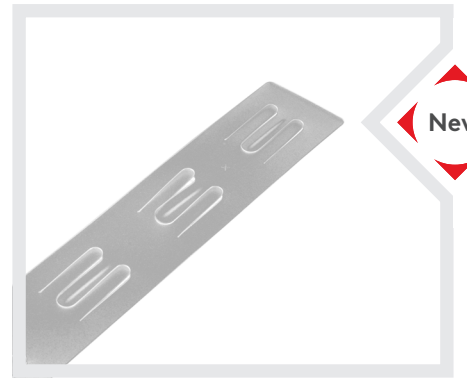




Hanging Strips - Type 1
Polypropylene

- Hanging strip for promotional display
- 47mm distance between the top of each clip

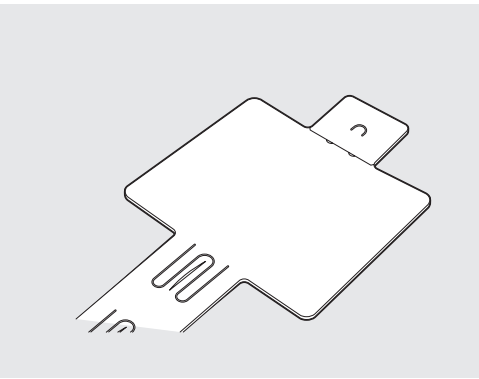
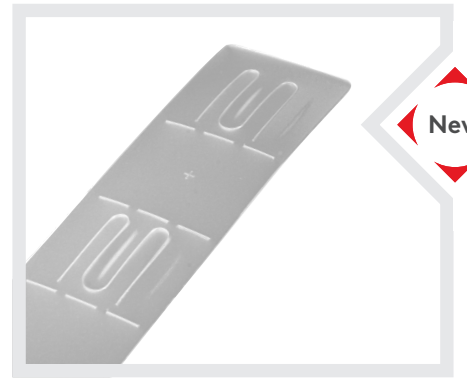
Size (mm)	No. of clips	Part Number
646 x 40	12	497161
646 x 40	12	497162
557 x 40	10	497163
510 x 40	9	497164
461 x 40	8	497165
362 x 40	6	497166



Hanging Strips - Type 2
Polypropylene

- Hanging strip for promotional display
- 47mm distance between the top of each clip

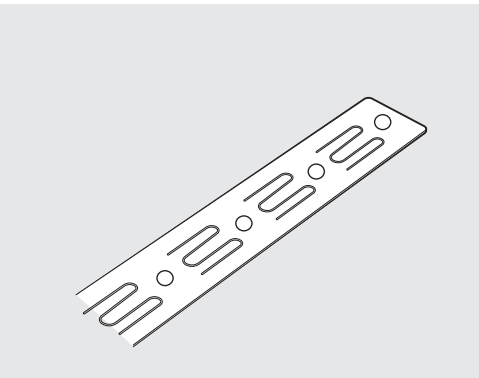
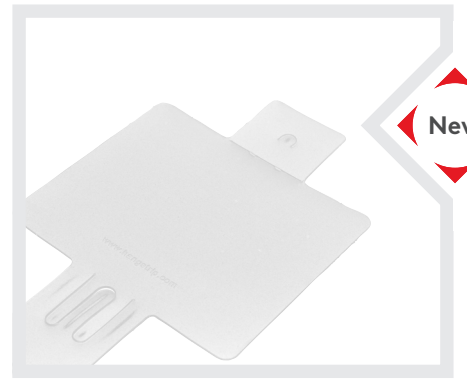
Size (mm)	No. of clips	Part Number
832 x 40	12	497167
832 x 40	12	497168
711 x 40	10	497169
642 x 40	9	497170
448 x 40	6	497171



Hanging Strips - Type 3
Polypropylene

- Ideal for hanging promotional products
- Type 3 comes with label header for print

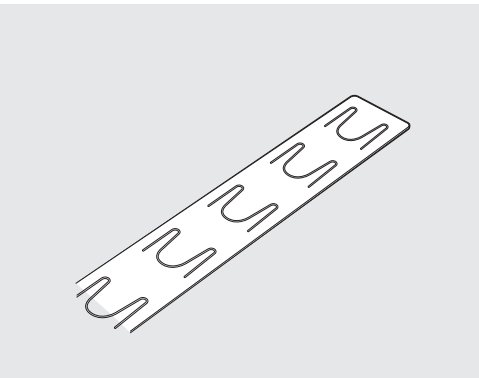
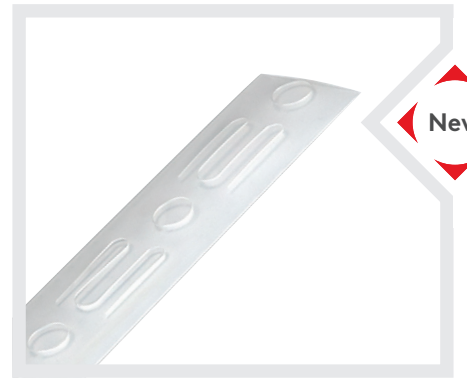
Strip Length x Width (mm)	No. of clips	Part Number
630 x 35	12	497172
617 x 40	12	497173



Hanging Strips - Type 4
Polypropylene

- Ideal for hanging promotional products
- 50mm distance between the top of each clip
- Supplied on a roll

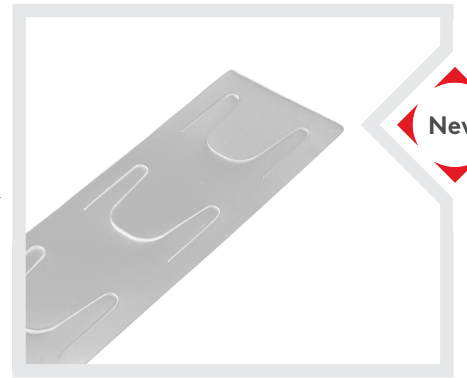
Width (mm)	No. of clips	Part Number
35	1500	497174

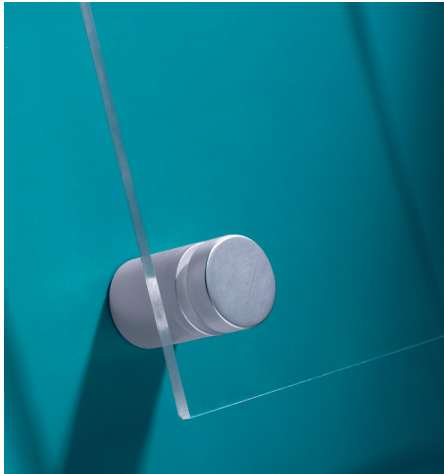


Hanging Strips - Type 5
Polypropylene

- Ideal for hanging promotional products
- 51mm distance between the top of each clip

Size (mm)	No. of clips	Part Number
700 x 52	12	497175



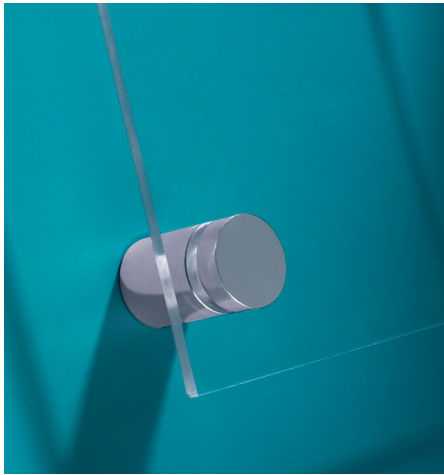


Aluminium Sign Stand Offs

- High quality sign fixings for mounting acrylic or glass panels
- 10mm panel hole required for all sign fixings

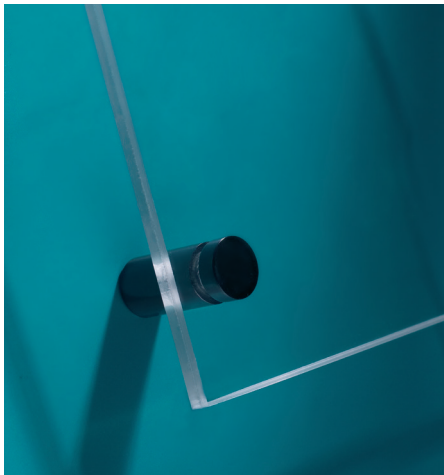
Satin Silver

Dia. (mm)	Stand Off Length (mm)	Part Number
13	13	493071
13	19	493075
19	19	493079
19	25	493083
25	19	493087
25	25	493091



Chrome

Dia. (mm)	Stand Off Length (mm)	Part Number
13	13	493069
13	19	493073
19	19	493077
19	25	493081
25	19	493085
25	25	493089



Black

Dia. (mm)	Stand Off Length (mm)	Part Number
13	13	493068
13	19	493072
19	19	493076
19	25	493080
25	19	493084
25	25	493088

Please see website for technical dimensions

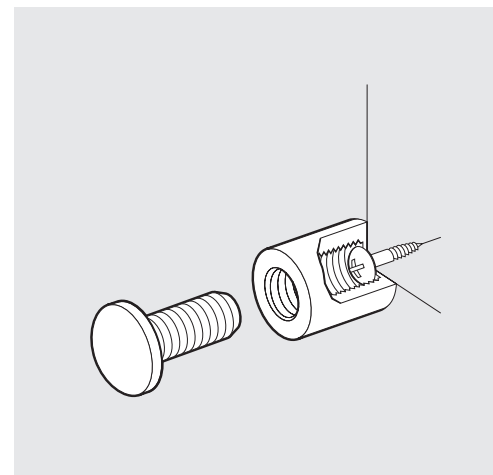
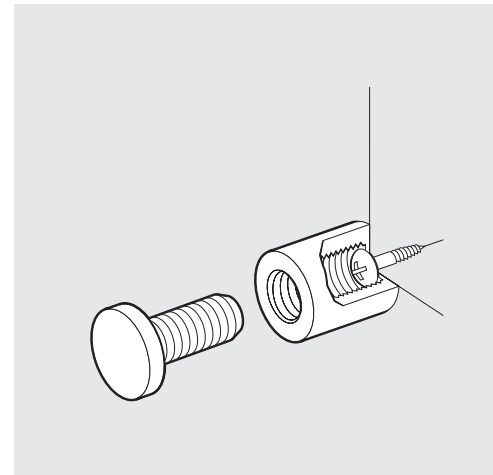
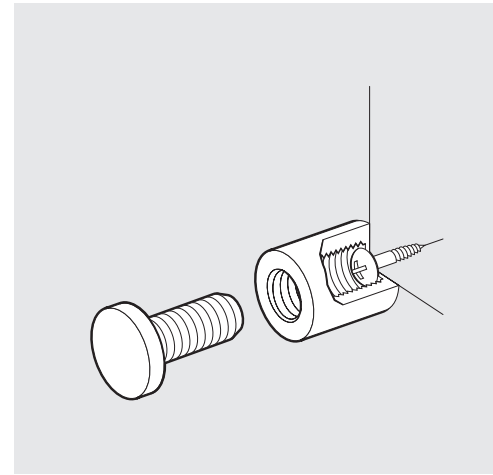
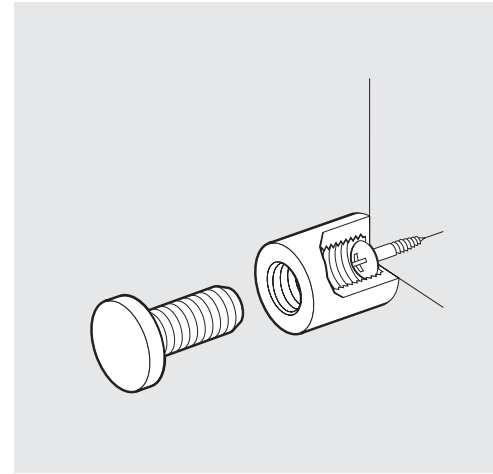


Domed Aluminium Sign Fixings

- These domed fixings offer a more aesthetic finish to the standard fixings above

Dia. (mm)	Stand Off Length (mm)	Part Number
16	16	493112
16	25	493113
25	25	493114
25	40	493115
32	25	493116

Please see website for technical dimensions

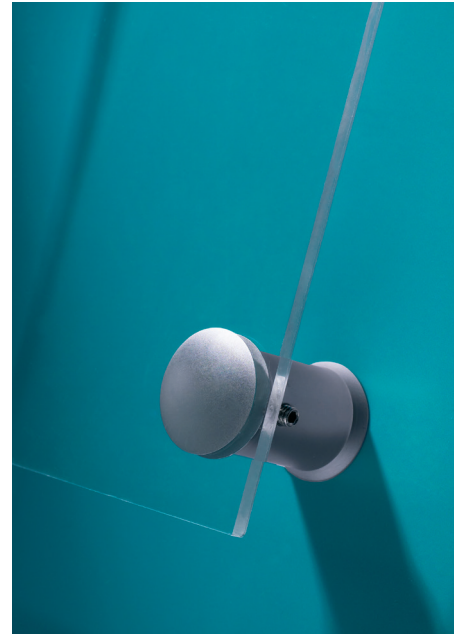
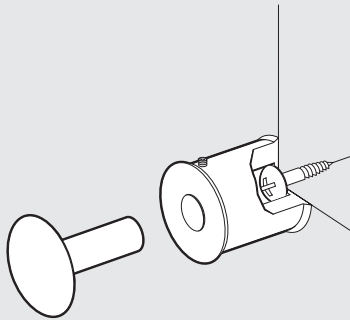


Brass Lateral Stand Offs

- Lateral stand offs allow panels to be fixed securely without placing too much compression on the panels
- They are tightened by turning the Allen key grub screw perpendicular to the stand off

Dia. (mm)	Stand Off Length (mm)	Part Number
16	23	493120
23	27	493122

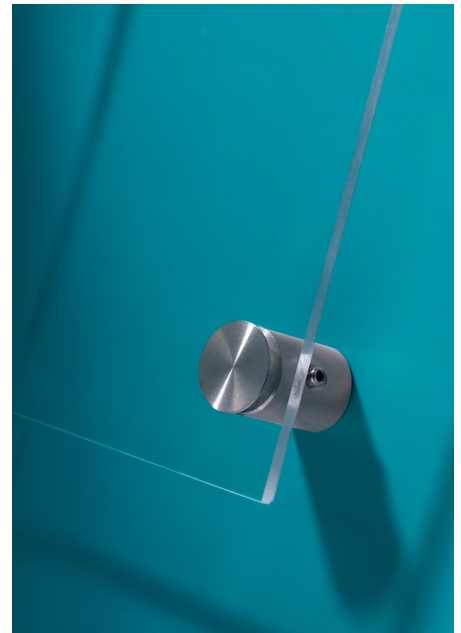
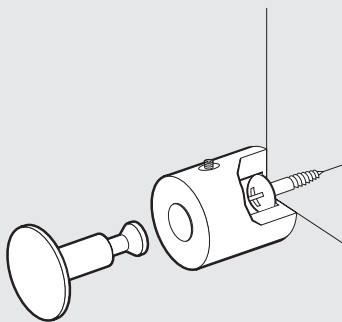
Dia. (mm)	Stand Off Length (mm)	Part Number
16	23	493121
23	27	493123



Stainless Lateral Stand Offs

- Ideal for outdoor use
- Manufactured from marine grade 316 stainless steel.

Head Diameter (mm)	Stand Off Length (mm)	Part Number
13	20	493124
18	20	493125

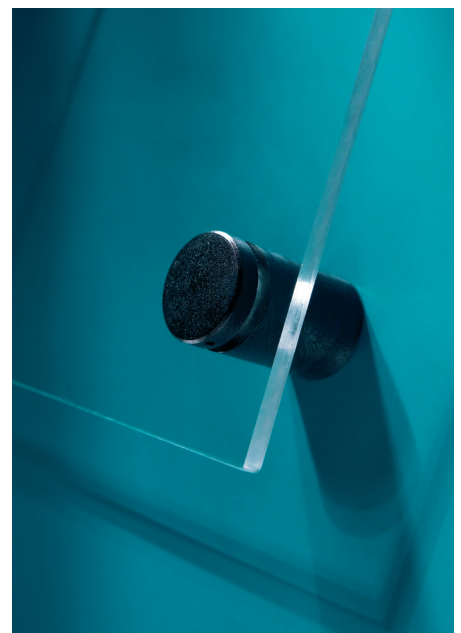
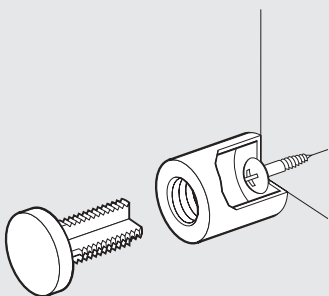


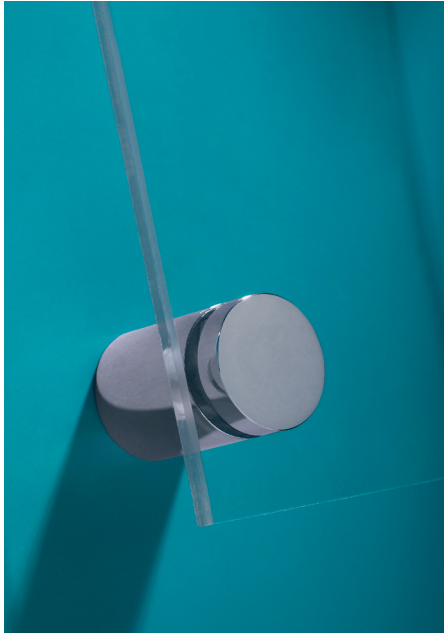
Plastic Sign Stand Offs

- For displaying glass panels/frames
- Panel thickness 6-10mm
- Applied using an M4 screw (not supplied)

Cylinder Colour	Diameter (mm)	Part Number
Black ●	17	165001011419
Natural ☉	17	165001016419
Grey ○	17	165001033819

Head Colour	Diameter (mm)	Part Number
Black ●	17	165002011419
Natural ☉	17	165002016419
Grey ○	17	165002033819

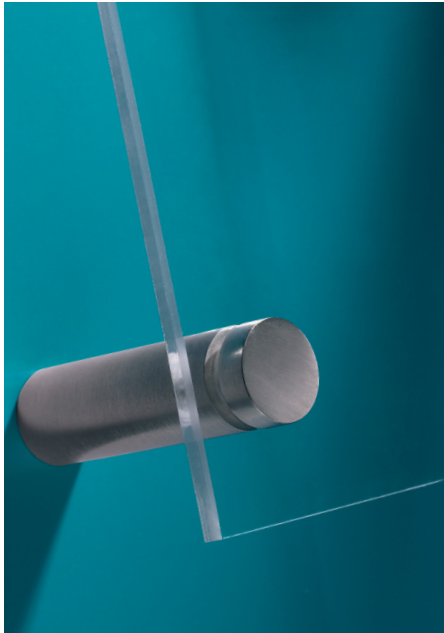
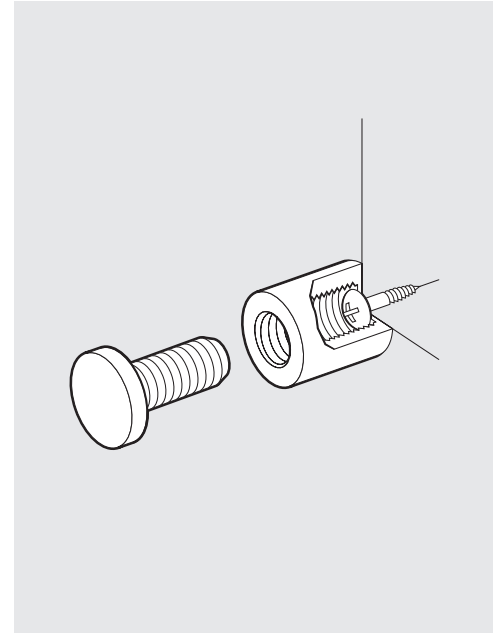




Brass Sign Stand Offs Type 1

- Premium quality sign fixings for acrylic & glass panels
- Brass fixings offer a more rugged fixing with excellent aesthetic finish

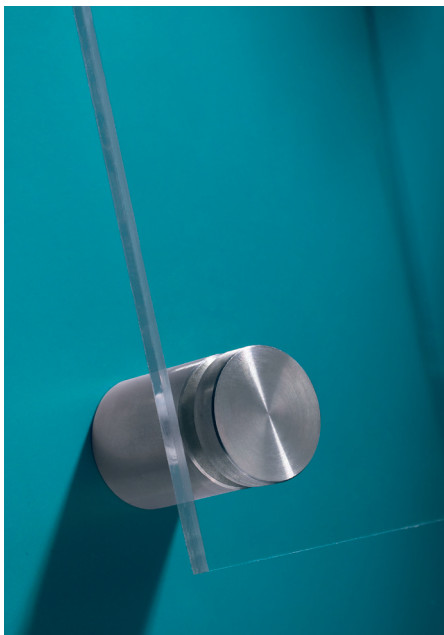
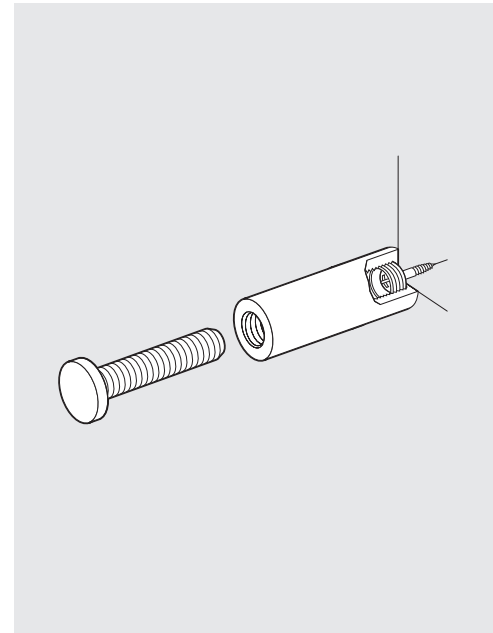
Dia. (mm)	Stand Off Length (mm)	Part Number	
		Polished Chrome	Satin Chrome
13	13	493092	493093
13	19	493094	493095
13	25	493096	493097
13	40	493098	493099
19	19	493100	493101
19	25	493102	493103
25	19	493106	493107
25	25	493108	493109



Brass Sign Stand Offs Type 2

- As Type 1 with the extra benefit of a separate wall fixing to which the stand-off body can be securely attached

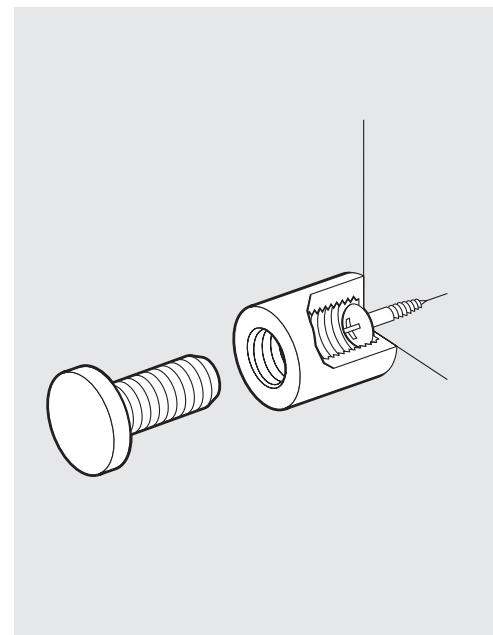
Dia. (mm)	Stand Off Length (mm)	Part Number	
		Polished Chrome	Satin Chrome
19	50	493104	
25	50	493110	
19	50	493105	
25	50	493111	



Stainless Steel Sign Stand Offs

- For outdoor use. As Type 1 Brass but manufactured from marine grade stainless steel 316

Dia. (mm)	Stand Off Length (mm)	Part Number	
		Polished Chrome	Satin Chrome
13	19	493117	
19	25	493118	
25	25	493119	



Metal Screw Cover Caps

- These screw cover caps offer a high quality method of mounting panels flush against a wall

Diameter (mm)	Washer Hole Dia. (mm)	Part Number
12	4.5	493060
15	5.2	493062
19	5.2	493064
25	5.2	493066
<hr/>		
(mm)	Dia. (mm)	Satin
12	4.5	493061
15	5.2	493063
19	5.2	493065
25	5.2	493067

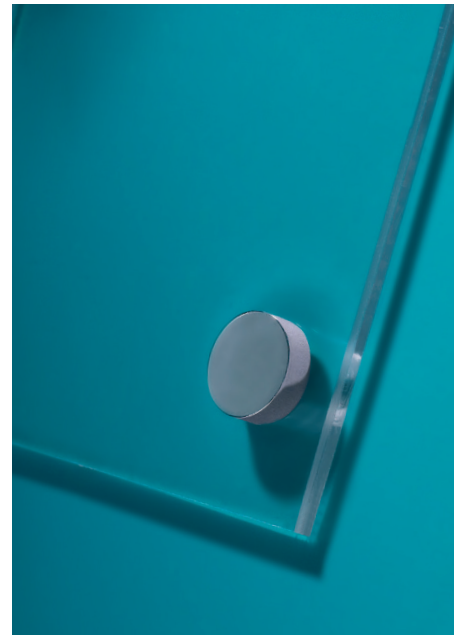
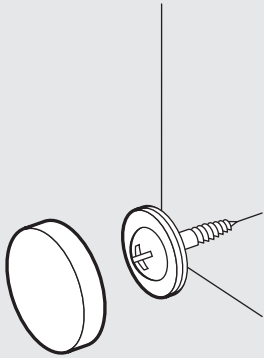


Photo Clips - Type 1

K - Resin

- Small Photo Clip
- Colour - Natural
- 1.5mm Hole Diameter

Height (mm)	A (mm)	B (mm)	W (mm)	Part Number
10	1.2	1.5	15	046015000026
10	2.4	2.5	15	046025000026
10	3.9	4	15	046040000026
10	5.8	6	15	046060000026
10	7.8	8	15	046080000026

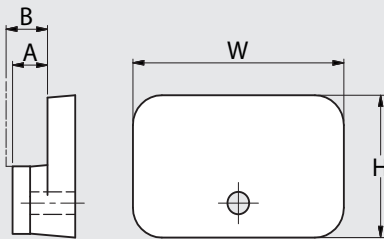
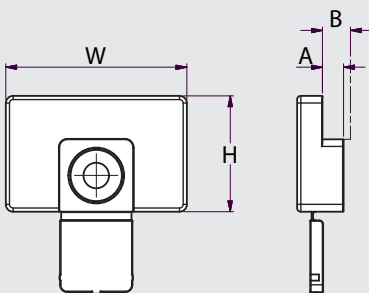


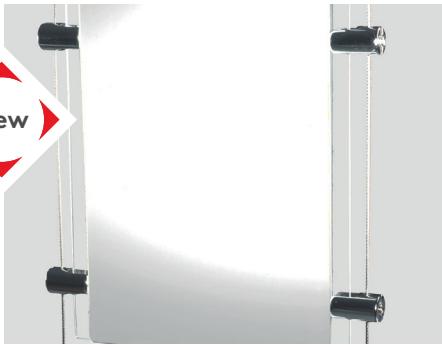
Photo Clips - Type 2

K - Resin

- Small Photo Clip
- Available in Grey or White
- 3.5mm Hole Diameter

A (mm)	B (mm)	White ○	Grey ●
2.9	3	046103011311	046103022511
3.9	4	046104011311	046104022511
4.8	5	046105011311	046105022511
5.8	6	046106011311	046106022511
7.8	8	046108011311	046108022511
9.7	10	046110011311	046110022511
11.7	12	046112011311	046112022511
15.6	16	046116011311	046116022511
19.5	20	046120011311	046120022511



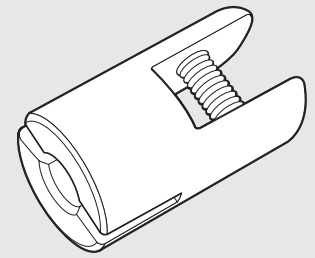


Assembled Display System

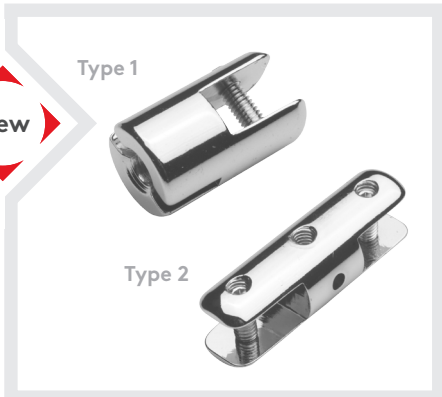
Cable Display Clamps

Brass - Chrome Plated

- Hold your window print, poster or display in place with this vertical clamp
- To be used with cable & poster holders
- Type 2 - Suitable for M5 Screw



Type 1



Type 1

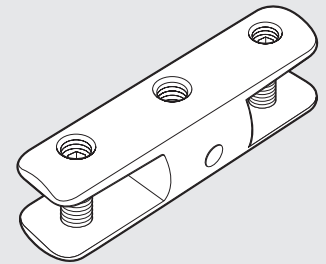
Type 2

Type 1

Length (mm)	Dia. (mm)	Panel Thickness (mm)	Style	Part Number
28	16	8.4	Side panel support	496897
28	14	6.4	Side panel support	496898
28	16	8.4	Shelf Grip	496901

Type 2

Length (mm)	Dia. (mm)	Panel Thickness (mm)	Hole Diameter (mm)	Style	Part Number
35	16	8.4	3	Top Panel Support	496895
35	14	6.5	3	Top Panel Support	496896
43	14	8.3	3	Twin Side Panel Support	496899
43	14	6.4	3	Twin Side Panel Support	496900



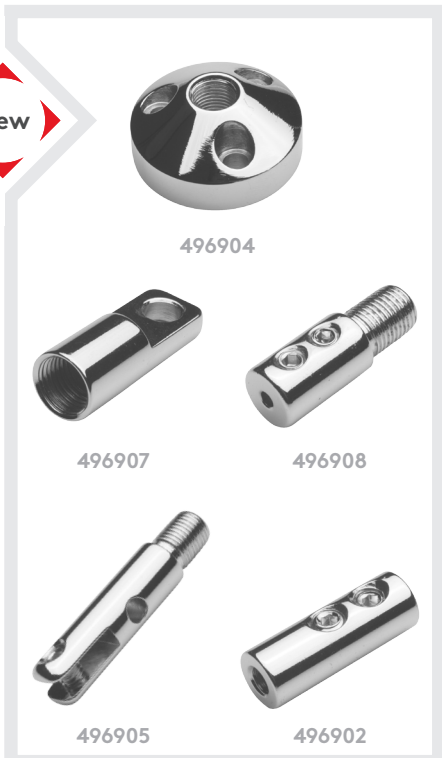
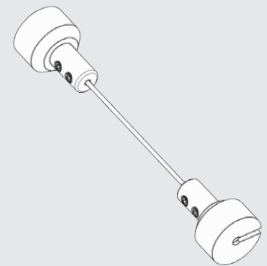
Type 2



Ceiling to Floor Cable Kits

- Each kit contains 2 wall fixing plates and a 2mm dia cable, 4metres long

Dia. (mm)	Height (mm)	Part Number
26	17	497393



496904

496907

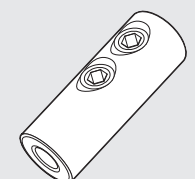
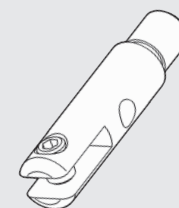
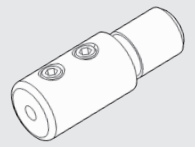
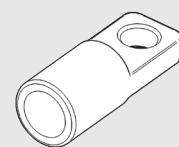
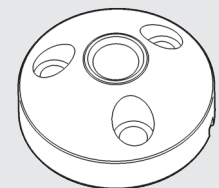
496908

496905

496902

Fittings & Connectors

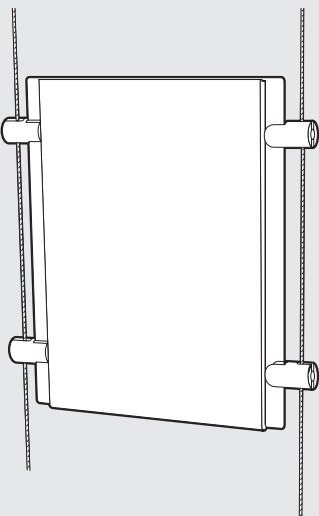
Length (mm)	Dia. (mm)	Panel Thickness (mm)	Diameter (mm)	Style	Part Number
31.5	12	-	6.2	Elbow Connector	496907
33	12	-	3	Connector	496908
93	12	5.2	-	Wall Fix Connector	496906
53	12	5	-	Wall Fix Connector	496905
28	10	-	3	Bottom Fixing	496902
17	-	-	38	Wall Fixing Plate	496904



Cable Display Pockets Acrylic

- Hold your window display in place with this display pocket
- To be used with Cables & Clamps

Size (mm)	Print Size Ref	Print Width (mm)	Part Number
595 x 454	A2 Portrait	420	497225
422 x 628	A2 Landscape	594	497226
422 x 331	A3 Portrait	297	497227
302 x 444	A3 Landscape	420	497228
298 x 234	A4 Portrait	210	497229
212 x 331	A4 Landscape	297	497230
212 x 172	A5 Portrait	148	497231
150 x 244	A5 Landscape	210	497232

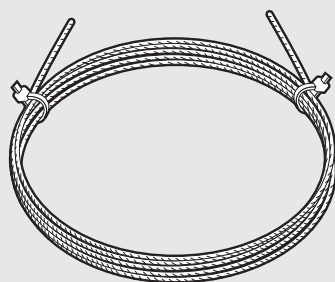


Assembled Display System

Cable Display - Cables Steel Cable

- Hold your window display in place using steel cable, with display pocket & clamps

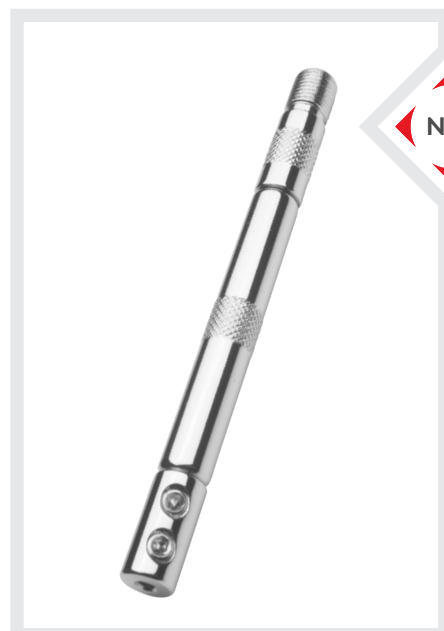
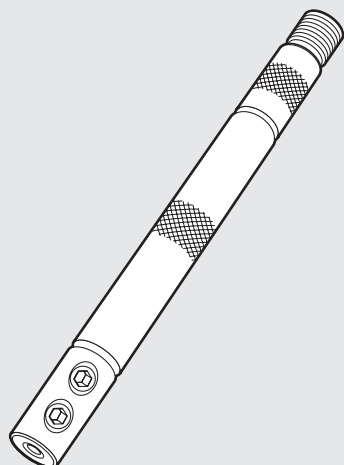
Length (M)	Cable Thickness (mm)	Part Number
2	2.0	496909
4	2.0	496910
6	2.0	496911
2	1.5	496912
4	1.5	496913
6	1.5	496914



Cable Display Tension Tools Brass - Chrome Plated

- Tension Tool for adjusting & tightening displays

Length (mm)	Dia. (mm)	Part Number
105	10	496903



We make it easy

- ▶ We're constantly expanding our product range, our full offering now including over 28,000 products.
- ▶ Simply call us on 0845 758 5070 (local call rate) or request online at www.essentracomponents.co.uk
- ▶ We've got over 1 Billion components in stock - all available for next day delivery!



**MORE
CHOICE**



**FREE
SAMPLES**



**NEXT
DAY**



**TEL: 0845 758 5070
FAX: 0845 609 0049**

sales@essentracomponents.co.uk

AND THERE IS MORE...



▶ Locks



▶ Latches & Catches

Hinges ▶



Drawer Slides, Gas Struts & Lid Stays ▶



▶ Handles & Knobs



▶ Castors & Ball Transfer Units

Furniture Fittings ▶



Fasteners ▶



REQUEST OUR FULL INDUSTRIAL COMPONENTS CATALOGUE WITH OVER 28,000 PRODUCTS

www.essentracomponents.co.uk

Conditions of sale can be found on our website - www.essentracomponents.co.uk



HERE ARE JUST A FEW OF OUR NEW PRODUCTS

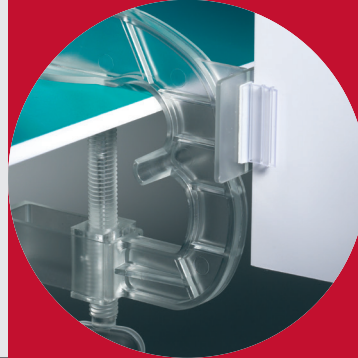


POS GRAPHICS & PRINT DISPLAYS



**Ceiling Clips &
Magnetic Hooks**

▶ See pages 4-6



**Sign &
Ticket Fixings**

▶ See pages 19-23

POS DISPLAY COMPONENTS

**Book &
Binder Screws**

See pages 38-39 ◀



Castors

See pages 43-47 ◀



ADHESIVE TAPES & PADS



**Adhesive
Hanging Tabs**

▶ See page 75

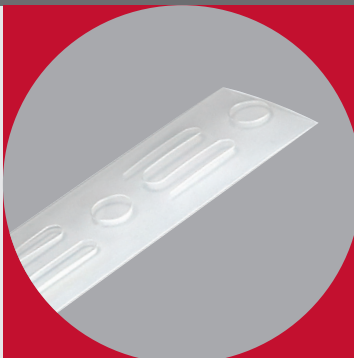


**REQUEST
OUR FULL
COMPONENTS
CATALOGUE
OF OVER
28,000
PRODUCTS**

MERCHANDISING

Hanging Strips

See page 91 ◀



**Cable Display
Systems**

See pages 96-97 ◀





Why Buy Essentra?

OVER 28,000 PRODUCTS FROM STOCK

Essentra Components offer an extensive product choice, with all items available from stock for next day delivery.

You can submit your order by phone, fax, email or web.

Our lines are open:

Mondays to Thursdays 8:00am to 5:30pm

Fridays 8:00am to 5:00pm

For orders, free samples, no-obligation quotes or advice about our products:

Tel: 0845 758 5070 (local rate call) Fax: 0845 609 0049

Email: sales@essentracomponents.co.uk

Credit card ordering online:

www.essentracomponents.co.uk

FREE SAMPLES

Just call us on 0845 758 5070 (local rate call)

or visit www.essentracomponents.co.uk

ENVIRONMENTALLY RESPONSIBLE

ISO14001 and ISO50001 -

Energy management certification

Essentra believes in careful stewardship of the environment in which it operates and embodies this philosophy in its corporate business strategy

Our manufacturing location in Oxfordshire is certified to ISO14001 and ISO50001. We implement these policies through documentation and maintained environmental management systems that are structured to assess, manage and improve the environmental impacts of our activities, products and services.

ISOQAR CERTIFICATION STATUS

Essentra is committed to using recognised management systems to demonstrate its commitment to providing quality service, a safe and healthy working environment and meeting its environmental obligations throughout the business.

In recognition of this, Essentra Components facility in Kidlington, Oxon has been awarded with ISO9001, ISO14001, ISO50001 and OHSAS18001 certification



ESSENTRA
COMPONENTS

Essentra
facilities in
Kidlington,
Oxon are:



Certificate Number 8293
ISO 9001
ISO 14001
OHSAS 18001



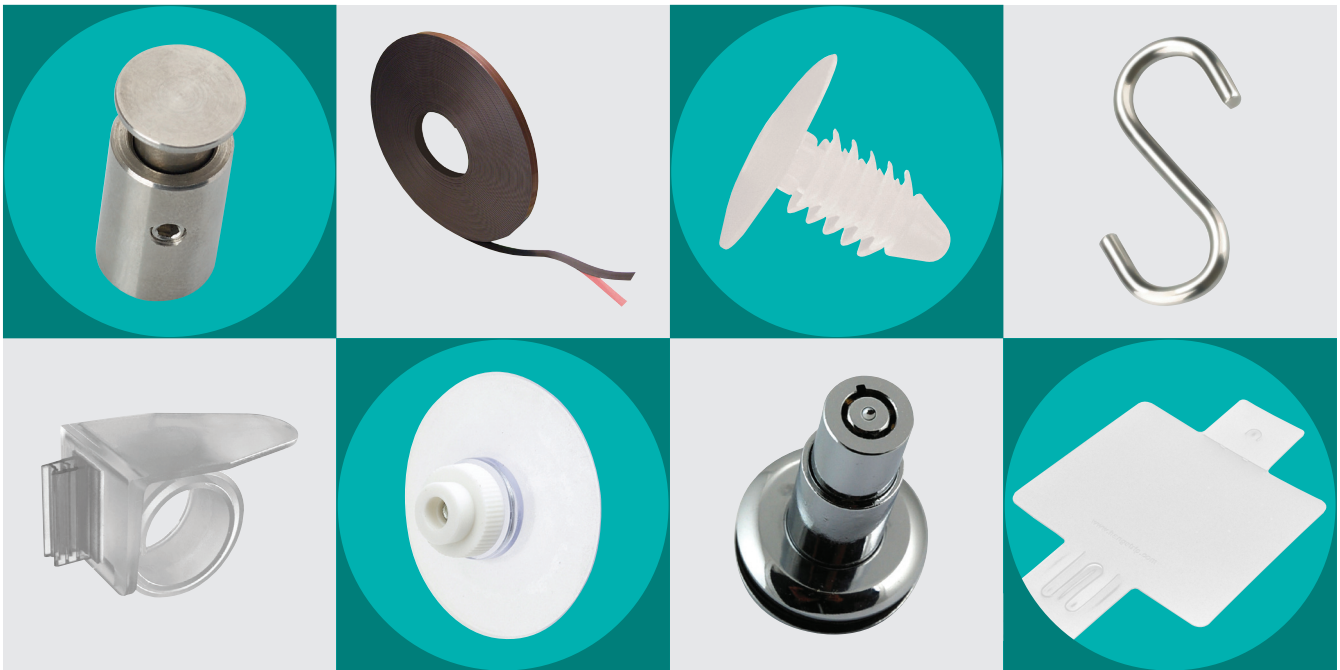
ISO 50001



ESSENTRA

COMPONENTS

www.essentracomponents.co.uk



Essentra Components, Langford Locks, Kidlington,
Oxon OX5 1HX

TEL. 0845 758 5070
sales@essentracomponents.co.uk

Essentra
facilities in
Kidlington,
Oxon are:



Certificate Number 8293
ISO 9001
ISO 14001
OHSAS 18001



ISO 50001



PEFC Certified
This product is from
sustainably managed
forests, recycled and
controlled sources
www.pefc.org