

Hinges



Hinges

Hinges
in plastic, detachable, left
K0434



Page 286-287

Hinges
in plastic, detachable, right
K0434



Page 288-289

Hinges
in plastic
K0435



Page 290

Hinges
in plastic with clamping
function
K0436



Page 291

Hinges
with oblong holes in plastic
K0437



Page 292

Hinges
with guide tabs in plastic,
detachable
K0438



Page 293

Hinges
in plastic with a catching
function
K0439



Page 294

Hinges
in plastic with adjustable
friction
K0440



Page 295

Hinges
with oblong holes in die cast
zinc
K0441



Page 296

Hinges
in die cast zinc with clamping
function
K0442



Page 297

Hinges
in aluminium, detachable, left
K0579



Page 298

Hinges
in aluminium, detachable,
right
K0579



Page 299

Hinges
in aluminium
K0580



Page 300

Technical information for hinges



Hinges

We have set out as many as 161 hinge variants in a clear table for you. Many more variations are possible if you need hinges with guide tabs, for instance for combining aluminium profiles with different slot widths.

By the way,

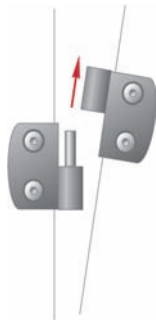
all hinges are supplied with a stainless steel axle as standard. Hinges K0436 and K0442 are supplied with a steel axle.

Left and right hinge

Each uncoupling hinge has a left and right version. You should therefore know when ordering on which side the door or flap is mounted.

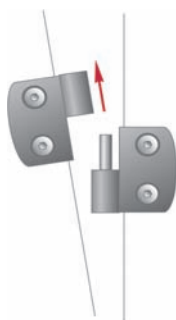
Left hinge

The fixed side is on the left, the flap or door opens from right to left.



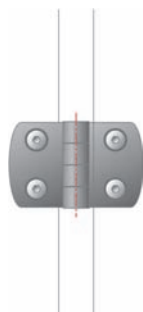
Right hinge

The fixed side is on the right, the flap or door opens from left to right.



Fixed hinge

The hinge cannot be uncoupled. It can be used for left and right.



Guide tabs

Many hinges can be supplied on request with guide tabs for the slots of aluminium profiles. They secure the hinge against twisting and make it stronger.

The hinges are designed in such a way that the guide tabs can simply be broken out with a screwdriver.



without guide tabs



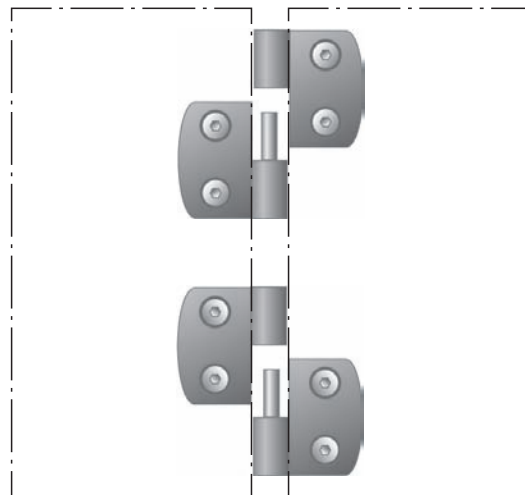
with guide tabs for aluminium profiles with slot



A trick for you

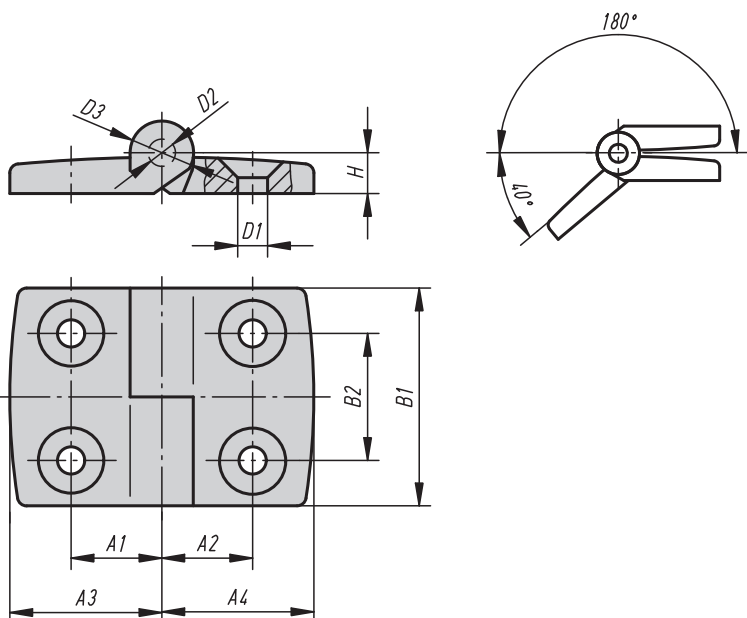
If you want to fit a door or flap so that it **cannot** be uncoupled, you can use a left and right **uncoupling** hinge for this.

The two hinges are mounted in coupled condition and mutually secure each other.



Hinges

in plastic, detachable, left



Material:
Glass-fibre reinforced thermoplastic;
axle in stainless steel

Surface finish:
Hinge black, axle natural finish

Sample order:
K0434.1301825

Note:
All hinges can be supplied on request with guide tabs for the slots of aluminium profiles (slots 6, 8 and 10). They facilitate mounting, secure the hinge against twisting and make it stronger.

KIPP Hinges in plastic, detachable, left

Order No.	A1	A2	A3	A4	B1	B2	D1	D2	D3	H	Load bearing capacity N	Approx. weight kg
K0434.1251515	15	15	26	26	48	28	6,6	6	14	9	1200	0,031
K0434.1251518	15	17,5	26	29,5	48	28	6,6	6	14	9	1200	0,033
K0434.1251520	15	20	26	35,5	48	28	6,6	6	14	9	1200	0,035
K0434.1251523	15	22,5	26	38,5	48	28	6,6	6	14	9	1200	0,037
K0434.1251525	15	25	26	43,5	48	28	6,6	6	14	9	1200	0,038
K0434.1251528	15	27,5	26	48,5	48	28	6,6	6	14	9	1200	0,040
K0434.1251533	15	32,5	26	57,5	48	28	6,6	6	14	9	1200	0,043
K0434.1301815	17,5	15	29,5	26	48	28	6,6	6	14	9	1200	0,033
K0434.1301818	17,5	17,5	29,5	29,5	48	28	6,6	6	14	9	1200	0,034
K0434.1301820	17,5	20	29,5	35,5	48	28	6,6	6	14	9	1200	0,036
K0434.1301823	17,5	22,5	29,5	38,5	48	28	6,6	6	14	9	1200	0,038
K0434.1301825	17,5	25	29,5	43,5	48	28	6,6	6	14	9	1200	0,040
K0434.1301828	17,5	27,5	29,5	48,5	48	28	6,6	6	14	9	1200	0,041
K0434.1301833	17,5	32,5	29,5	57,5	48	28	6,6	6	14	9	1200	0,045
K0434.1352015	20	15	35,5	26	48	28	6,6	6	14	9	1200	0,034
K0434.1352018	20	17,5	35,5	29,5	48	28	6,6	6	14	9	1200	0,036
K0434.1352020	20	20	35,5	35,5	48	28	6,6	6	14	9	1200	0,038
K0434.1352023	20	22,5	35,5	38,5	48	28	6,6	6	14	9	1200	0,040
K0434.1352025	20	25	35,5	43,5	48	28	6,6	6	14	9	1200	0,042
K0434.1352028	20	27,5	35,5	48,5	48	28	6,6	6	14	9	1200	0,043
K0434.1352033	20	32,5	35,5	57,5	48	28	6,6	6	14	9	1200	0,047

Hinges

in plastic, detachable, left

KIPP Hinges in plastic, detachable, left

Order No.	A1	A2	A3	A4	B1	B2	D1	D2	D3	H	Load bearing capacity N	Approx. weight kg
K0434.1402315	22,5	15	38,5	26	48	28	6,6	6	14	9	1200	0,037
K0434.1402318	22,5	17,5	38,5	29,5	48	28	6,6	6	14	9	1200	0,038
K0434.1402320	22,5	20	38,5	35,5	48	28	6,6	6	14	9	1200	0,040
K0434.1402323	22,5	22,5	38,5	38,5	48	28	6,6	6	14	9	1200	0,042
K0434.1402325	22,5	25	38,5	43,5	48	28	6,6	6	14	9	1200	0,043
K0434.1402328	22,5	27,5	38,5	48,5	48	28	6,6	6	14	9	1200	0,045
K0434.1402333	22,5	32,5	38,5	57,5	48	28	6,6	6	14	9	1200	0,049
K0434.1452515	25	15	43,5	26	48	28	6,6	6	14	9	1200	0,038
K0434.1452518	25	17,5	43,5	29,5	48	28	6,6	6	14	9	1200	0,040
K0434.1452520	25	20	43,5	35,5	48	28	6,6	6	14	9	1200	0,042
K0434.1452523	25	22,5	43,5	38,5	48	28	6,6	6	14	9	1200	0,043
K0434.1452525	25	25	43,5	43,5	48	28	6,6	6	14	9	1200	0,045
K0434.1452528	25	27,5	43,5	48,5	48	28	6,6	6	14	9	1200	0,046
K0434.1452533	25	32,5	43,5	57,5	48	28	6,6	6	14	9	1200	0,050
K0434.1502815	27,5	15	48,5	26	48	28	6,6	6	14	9	1200	0,040
K0434.1502818	27,5	17,5	48,5	29,5	48	28	6,6	6	14	9	1200	0,041
K0434.1502820	27,5	20	48,5	35,5	48	28	6,6	6	14	9	1200	0,043
K0434.1502823	27,5	22,5	48,5	38,5	48	28	6,6	6	14	9	1200	0,045
K0434.1502825	27,5	25	48,5	43,5	48	28	6,6	6	14	9	1200	0,046
K0434.1502828	27,5	27,5	48,5	48,5	48	28	6,6	6	14	9	1200	0,048
K0434.1502833	27,5	32,5	48,5	57,5	48	28	6,6	6	14	9	1200	0,052
K0434.1603315	32,5	15	57,5	26	48	28	6,6	6	14	9	1200	0,043
K0434.1603318	32,5	17,5	57,5	29,5	48	28	6,6	6	14	9	1200	0,045
K0434.1603320	32,5	20	57,5	35,5	48	28	6,6	6	14	9	1200	0,047
K0434.1603323	32,5	22,5	57,5	38,5	48	28	6,6	6	14	9	1200	0,049
K0434.1603325	32,5	25	57,5	43,5	48	28	6,6	6	14	9	1200	0,050
K0434.1603328	32,5	27,5	57,5	48,5	48	28	6,6	6	14	9	1200	0,052
K0434.1603333	32,5	32,5	57,5	57,5	48	28	6,6	6	14	9	1200	0,055

Hinges

in plastic, detachable, right



Material:

Glass-fibre reinforced thermoplastic;
axle in stainless steel

Surface finish:

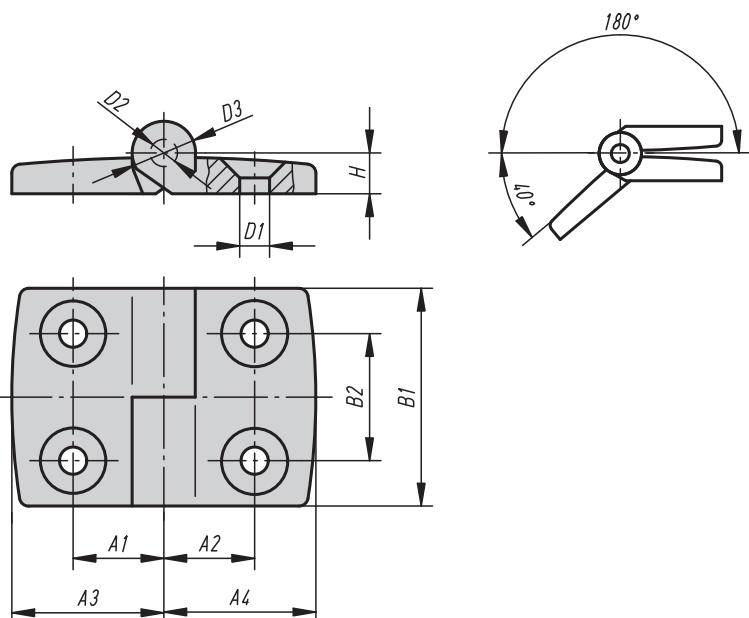
Hinge black, axle natural finish

Sample order:

K0434.2251523

Note:

All hinges can be supplied on request with guide tabs for the slots of aluminium profiles (slots 6, 8 and 10). They facilitate mounting, secure the hinge against twisting and make it stronger.



KIPP Hinges in plastic, detachable, right

Order No.	A1	A2	A3	A4	B1	B2	D1	D2	D3	H	Load bearing capacity N	Approx. weight kg
K0434.2251515	15	15	26	26	48	28	6,6	6	14	9	1200	0,031
K0434.2251518	15	17,5	26	29,5	48	28	6,6	6	14	9	1200	0,033
K0434.2251520	15	20	26	35,5	48	28	6,6	6	14	9	1200	0,035
K0434.2251523	15	22,5	26	38,5	48	28	6,6	6	14	9	1200	0,037
K0434.2251525	15	25	26	43,5	48	28	6,6	6	14	9	1200	0,038
K0434.2251528	15	27,5	26	48,5	48	28	6,6	6	14	9	1200	0,040
K0434.2251533	15	32,5	26	57,5	48	28	6,6	6	14	9	1200	0,043
K0434.2301815	17,5	15	29,5	26	48	28	6,6	6	14	9	1200	0,033
K0434.2301818	17,5	17,5	29,5	29,5	48	28	6,6	6	14	9	1200	0,034
K0434.2301820	17,5	20	29,5	35,5	48	28	6,6	6	14	9	1200	0,036
K0434.2301823	17,5	22,5	29,5	38,5	48	28	6,6	6	14	9	1200	0,038
K0434.2301825	17,5	25	29,5	43,5	48	28	6,6	6	14	9	1200	0,040
K0434.2301828	17,5	27,5	29,5	48,5	48	28	6,6	6	14	9	1200	0,041
K0434.2301833	17,5	32,5	29,5	57,5	48	28	6,6	6	14	9	1200	0,045
K0434.2352015	20	15	35,5	26	48	28	6,6	6	14	9	1200	0,034
K0434.2352018	20	17,5	35,5	29,5	48	28	6,6	6	14	9	1200	0,036
K0434.2352020	20	20	35,5	35,5	48	28	6,6	6	14	9	1200	0,038
K0434.2352023	20	22,5	35,5	38,5	48	28	6,6	6	14	9	1200	0,040
K0434.2352025	20	25	35,5	43,5	48	28	6,6	6	14	9	1200	0,042
K0434.2352028	20	27,5	35,5	48,5	48	28	6,6	6	14	9	1200	0,043
K0434.2352033	20	32,5	35,5	57,5	48	28	6,6	6	14	9	1200	0,047
K0434.2402315	22,5	15	38,5	26	48	28	6,6	6	14	9	1200	0,037
K0434.2402318	22,5	17,5	38,5	29,5	48	28	6,6	6	14	9	1200	0,038
K0434.2402320	22,5	20	38,5	35,5	48	28	6,6	6	14	9	1200	0,040

Hinges

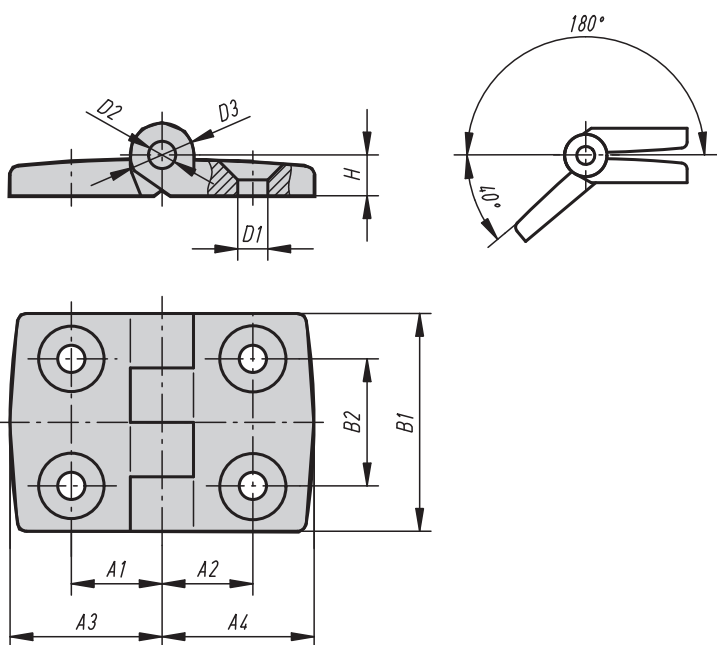
in plastic, detachable, right

KIPP Hinges in plastic, detachable, right

Order No.	A1	A2	A3	A4	B1	B2	D1	D2	D3	H	Load bearing capacity N	Approx. weight kg
K0434.2402323	22,5	22,5	38,5	38,5	48	28	6,6	6	14	9	1200	0,042
K0434.2402325	22,5	25	38,5	43,5	48	28	6,6	6	14	9	1200	0,043
K0434.2402328	22,5	27,5	38,5	48,5	48	28	6,6	6	14	9	1200	0,045
K0434.2402333	22,5	32,5	38,5	57,5	48	28	6,6	6	14	9	1200	0,049
K0434.2452515	25	15	43,5	26	48	28	6,6	6	14	9	1200	0,038
K0434.2452518	25	17,5	43,5	29,5	48	28	6,6	6	14	9	1200	0,040
K0434.2452520	25	20	43,5	35,5	48	28	6,6	6	14	9	1200	0,042
K0434.2452523	25	22,5	43,5	38,5	48	28	6,6	6	14	9	1200	0,043
K0434.2452525	25	25	43,5	43,5	48	28	6,6	6	14	9	1200	0,045
K0434.2452528	25	27,5	43,5	48,5	48	28	6,6	6	14	9	1200	0,046
K0434.2452533	25	32,5	43,5	57,5	48	28	6,6	6	14	9	1200	0,050
K0434.2502815	27,5	15	48,5	26	48	28	6,6	6	14	9	1200	0,040
K0434.2502818	27,5	17,5	48,5	29,5	48	28	6,6	6	14	9	1200	0,041
K0434.2502820	27,5	20	48,5	35,5	48	28	6,6	6	14	9	1200	0,043
K0434.2502823	27,5	22,5	48,5	38,5	48	28	6,6	6	14	9	1200	0,045
K0434.2502825	27,5	25	48,5	43,5	48	28	6,6	6	14	9	1200	0,046
K0434.2502828	27,5	27,5	48,5	48,5	48	28	6,6	6	14	9	1200	0,048
K0434.2502833	27,5	32,5	48,5	57,5	48	28	6,6	6	14	9	1200	0,052
K0434.2603315	32,5	15	57,5	26	48	28	6,6	6	14	9	1200	0,043
K0434.2603318	32,5	17,5	57,5	29,5	48	28	6,6	6	14	9	1200	0,045
K0434.2603320	32,5	20	57,5	35,5	48	28	6,6	6	14	9	1200	0,047
K0434.2603323	32,5	22,5	57,5	38,5	48	28	6,6	6	14	9	1200	0,049
K0434.2603325	32,5	25	57,5	43,5	48	28	6,6	6	14	9	1200	0,050
K0434.2603328	32,5	27,5	57,5	48,5	48	28	6,6	6	14	9	1200	0,052
K0434.2603333	32,5	32,5	57,5	57,5	48	28	6,6	6	14	9	1200	0,055

Hinges

in plastic



Material:

Glass-fibre reinforced thermoplastic;
axle in stainless steel

Surface finish:

Hinge black, axle natural finish

Sample order:

K0435.251528

Note:

Hinges with different wing lengths can be used on the left and right. All hinges can be supplied on request with guide tabs for the slots of aluminium profiles (slots 6, 8 and 10). They facilitate mounting, secure the hinge against twisting and make it stronger.

KIPP Hinges in plastic

Order No.	A1	A2	A3	A4	B1	B2	D1	D2	D3	H	Load bearing capacity N	Approx. weight kg
K0435.201212	11,5	11,5	19,5	19,5	30	14	4,2	3	8	5,5	400	0,008
K0435.251515	15	15	26	26	48	28	6,6	6	14	9	1200	0,032
K0435.251518	15	17,5	26	29,5	48	28	6,6	6	14	9	1200	0,034
K0435.251520	15	20	26	35,5	48	28	6,6	6	14	9	1200	0,036
K0435.251523	15	22,5	26	38,5	48	28	6,6	6	14	9	1200	0,038
K0435.251525	15	25	26	43,5	48	28	6,6	6	14	9	1200	0,039
K0435.251528	15	27,5	26	48,5	48	28	6,6	6	14	9	1200	0,041
K0435.251533	15	32,5	26	57,5	48	28	6,6	6	14	9	1200	0,041
K0435.301818	17,5	17,5	29,5	29,5	48	28	6,6	6	14	9	1200	0,036
K0435.301820	17,5	20	29,5	35,5	48	28	6,6	6	14	9	1200	0,037
K0435.301823	17,5	22,5	29,5	38,5	48	28	6,6	6	14	9	1200	0,039
K0435.301825	17,5	25	29,5	43,5	48	28	6,6	6	14	9	1200	0,041
K0435.301828	17,5	27,5	29,5	48,5	48	28	6,6	6	14	9	1200	0,043
K0435.301833	17,5	32,5	29,5	57,5	48	28	6,6	6	14	9	1200	0,046
K0435.352020	20	20	35,5	35,5	48	28	6,6	6	14	9	1200	0,040
K0435.352023	20	22,5	35,5	38,5	48	28	6,6	6	14	9	1200	0,041
K0435.352025	20	25	35,5	43,5	48	28	6,6	6	14	9	1200	0,042
K0435.352028	20	27,5	35,5	48,5	48	28	6,6	6	14	9	1200	0,044
K0435.352033	20	32,5	35,5	57,5	48	28	6,6	6	14	9	1200	0,047
K0435.402323	22,5	22,5	38,5	38,5	48	28	6,6	6	14	9	1200	0,043
K0435.402325	22,5	25	38,5	43,5	48	28	6,6	6	14	9	1200	0,044
K0435.402328	22,5	27,5	38,5	48,5	48	28	6,6	6	14	9	1200	0,046
K0435.402333	22,5	32,5	38,5	57,5	48	28	6,6	6	14	9	1200	0,049
K0435.452525	25	25	43,5	43,5	48	28	6,6	6	14	9	1200	0,046
K0435.452528	25	27,5	43,5	48,5	48	28	6,6	6	14	9	1200	0,048
K0435.452533	25	32,5	43,5	57,5	48	28	6,6	6	14	9	1200	0,051
K0435.502828	27,5	27,5	48,5	48,5	48	28	6,6	6	14	9	1200	0,049
K0435.502833	27,5	32,5	48,5	57,5	48	28	6,6	6	14	9	1200	0,052
K0435.603333	32,5	32,5	57,5	57,5	48	28	6,6	6	14	9	1200	0,055

Hinges

in plastic with clamping function



Material:

Thermoplastic hinge glass-fibre reinforced; axle in steel; clamping lever glass-fibre reinforced thermoplastic; mechanics in steel

Surface finish:

Hinge black; axle galvanized; clamping lever black; mechanics black galvanized

Sample order:

K0436.251515

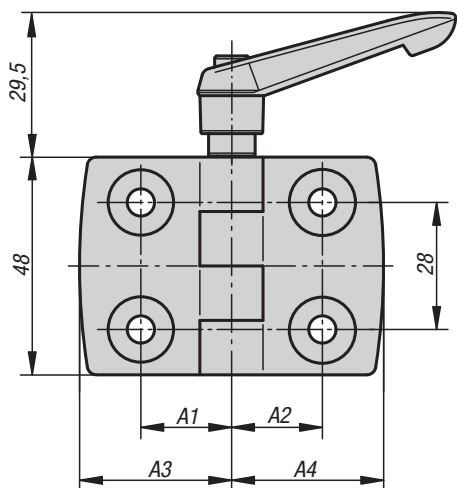
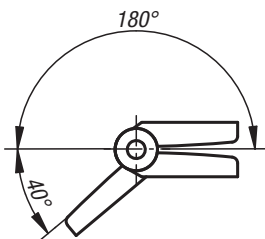
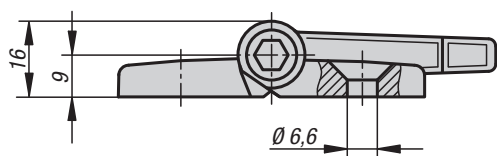
Note:

The hinges can be clamped in every position due to adjustable clamping lever.

On request:

Hinges with guide tabs (slot 6, 8 and 10) for aluminium profiles.

Combinations of different hinge wings.

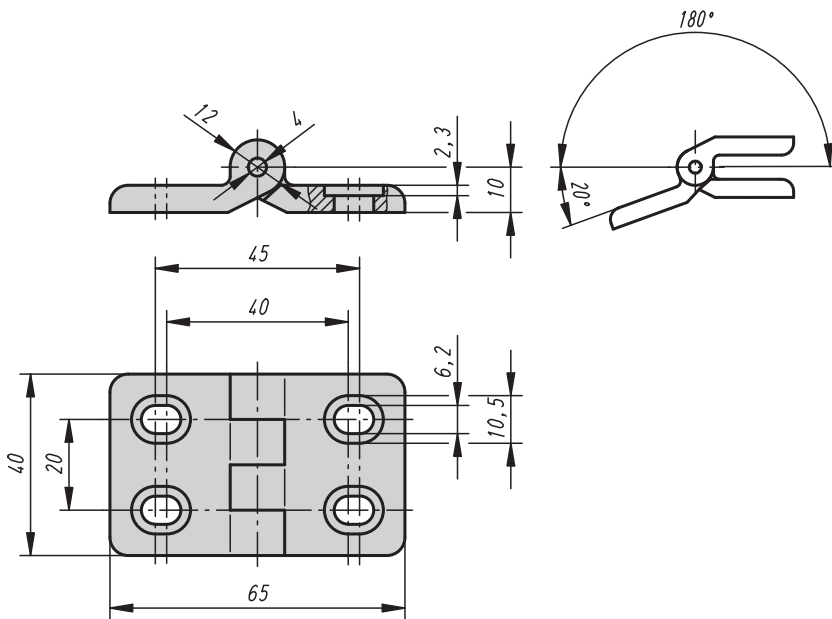


KIPP Hinges in plastic with clamping function

Order No.	A1	A2	A3	A4	Load bearing capacity N
K0436.251515	15	15	26	26	1200
K0436.301818	17,5	17,5	29,5	29,5	1200
K0436.352020	20	20	36	36	1200
K0436.402323	22,5	22,5	38,5	38,5	1200
K0436.452525	25	25	43,5	43,5	1200
K0436.502828	27,5	27,5	48,5	48,5	1200
K0436.603333	32,5	32,5	57,5	57,5	1200

Hinges

with oblong holes in plastic



Material:

Glass-fibre reinforced thermoplastic;
axle in stainless steel

Surface finish:

Hinge black, axle natural finish

Sample order:

K0437.402020

Note:

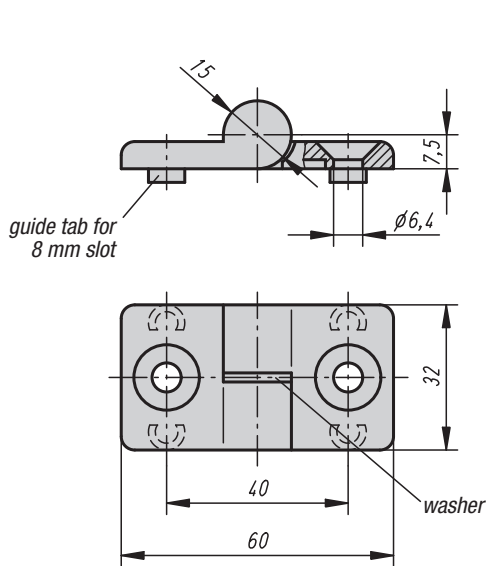
Horizontal adjustment of the hinges permits an optimal location.

KIPP Hinges with oblong holes in plastic

Order No.	Load bearing capacity N	Approx. weight kg
K0437.402020	700	0,008

Hinges

with guide tabs in plastic, detachable



Material:

Glass-fibre reinforced thermoplastic;
axle in stainless steel;
washer in thermoplastic

Surface finish:

Hinge and washer black, axle natural finish

Sample order:

K0438.1322020

Note:

The hinges can be fixed in a slot (8 mm) via the guide tabs.



KIPP Hinges with guide tabs in plastic, detachable

Order No.	Surface finish	Load bearing capacity N	Approx. weight kg
K0438.1322020	left hand	700	0,021
K0438.2322020	right hand	700	0,021

Hinges

in plastic with a catching function

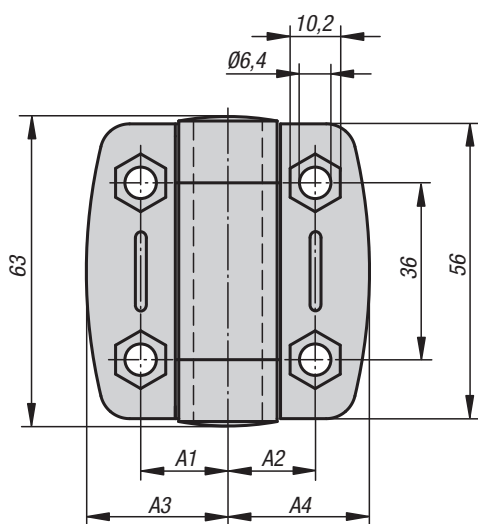
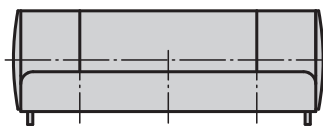
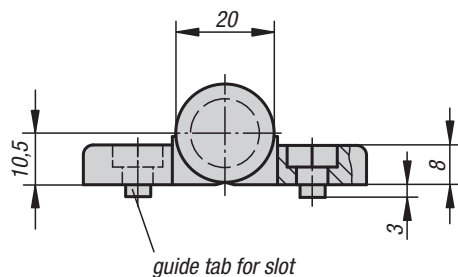


Material:
Hinge and coverings, glass-fibre reinforced thermoplastic PA;
axle in stainless steel

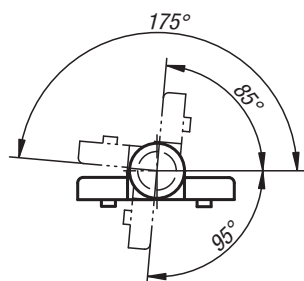
Surface finish:
Hinge and coverings black;
axle natural finish

Sample order:
K0439.56181800

Note:
The hinges are equipped with a catching function. It catches in four positions and keeps doors and covers open and tightly closed. The hinges are available with or without guide tabs for aluminium profiles.



indexed positions

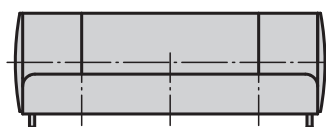
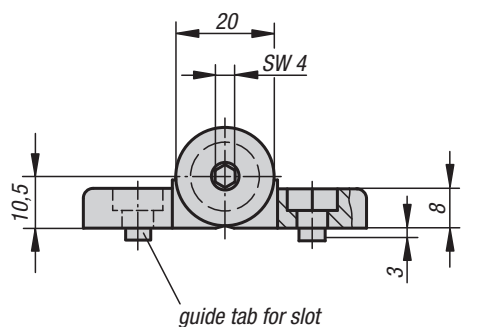


KIPP Hinges in plastic with a catching function

Order No.	A1	A2	A3	A4	Guide tabs for slot	Load bearing capacity N	Approx. weight kg
K0439.56181800	17,75	17,75	27	27	-	1200	0,073
K0439.56181806	17,75	17,75	27	27	6	1200	0,073
K0439.56181808	17,75	17,75	27	27	8	1200	0,073
K0439.56232300	22,75	22,75	36,75	36,75	-	1200	0,093
K0439.56232308	22,75	22,75	36,75	36,75	8	1200	0,093
K0439.56232310	22,75	22,75	36,75	36,75	10	1200	0,093

Hinges

in plastic with adjustable friction



Material:

Hinge and coverings, glass-fibre reinforced thermoplastic PA;
steel parts in stainless steel

Surface finish:

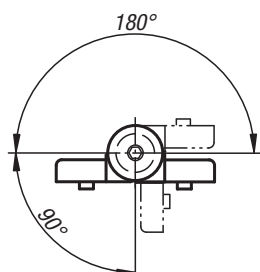
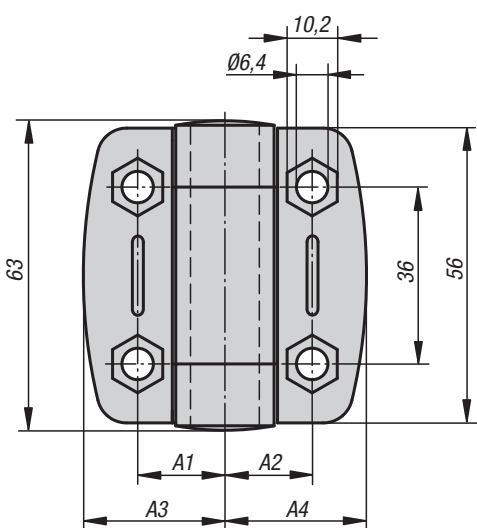
Hinge and coverings black;
steel parts natural finish

Sample order:

K0440.56181800

Note:

The friction hinges allow door positioning in any angular position desired. Friction resistance can be continuously adjusted by means of an adjusting screw of 0-5 Nm. The hinges are available with or without guide tabs for aluminium profiles.

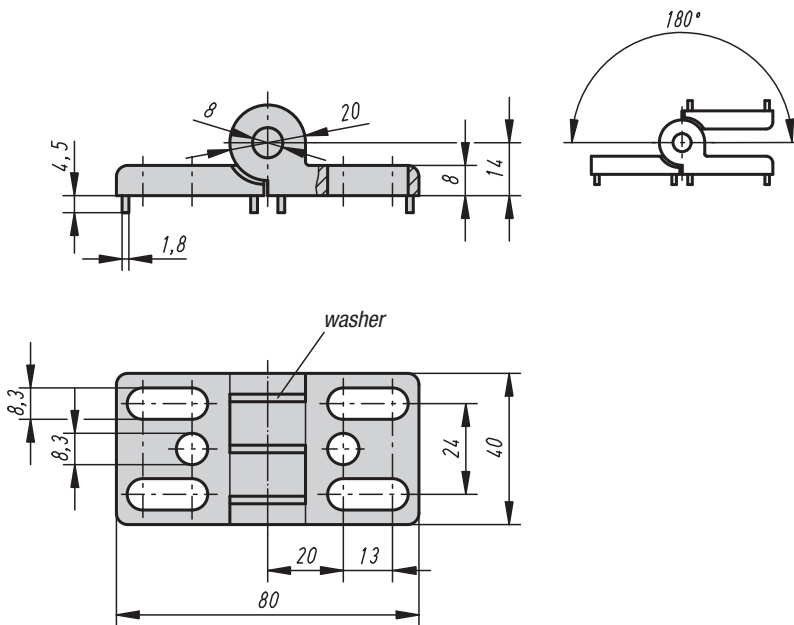


KIPP Hinges in plastic with adjustable friction

Order No.	A1	A2	A3	A4	Guide tabs for slot	Load bearing capacity N	Approx. weight kg
K0440.56181800	17,75	17,75	27	27	-	1200	0,052
K0440.56181806	17,75	17,75	27	27	6	1200	0,052
K0440.56181808	17,75	17,75	27	27	8	1200	0,052
K0440.56232300	22,75	22,75	36,75	36,75	-	1200	0,064
K0440.56232308	22,75	22,75	36,75	36,75	8	1200	0,064
K0440.56232310	22,75	22,75	36,75	36,75	10	1200	0,064

Hinges

with oblong holes in die cast zinc



Material:

Die cast zinc; axle stainless steel; washers thermoplastic

Surface finish:

Hinge black powder-coated; axle natural finish; washers black

Sample order:

K0441.402020

Note:

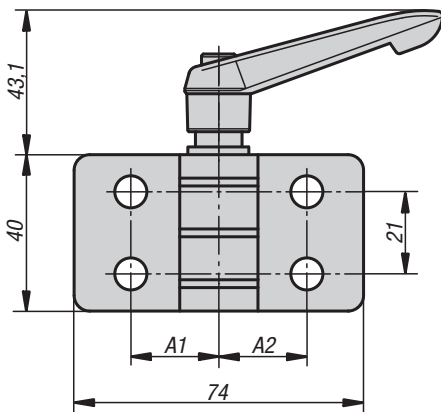
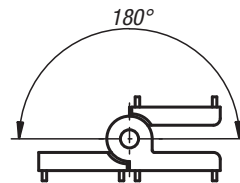
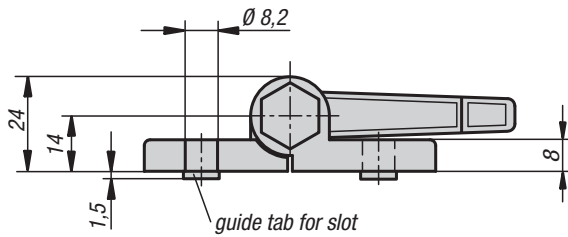
Horizontal adjustment of the hinges permits an optimal location.

KIPP Hinges with oblong holes in die cast zinc

Order No.	Guide tabs for slot	Load bearing capacity N	Approx. weight kg
K0441.402020	-	2500	0,175
K0441.40202008	8	2500	0,175
K0441.40202010	10	2500	0,175

Hinges

in die cast zinc with clamping function



Material:

Hinge in die cast zinc; axle in steel; clamping lever glass-fibre reinforced thermoplastic; mechanics in steel

Surface finish:

Hinge black powder-coated; axle galvanized; clamping lever black; mechanics black galvanized

Sample order:

K0442.40232300

Note:

The hinges can be clamped in every position due to adjustable clamping lever.

The hinges are available with or without guide tabs for aluminium profiles.

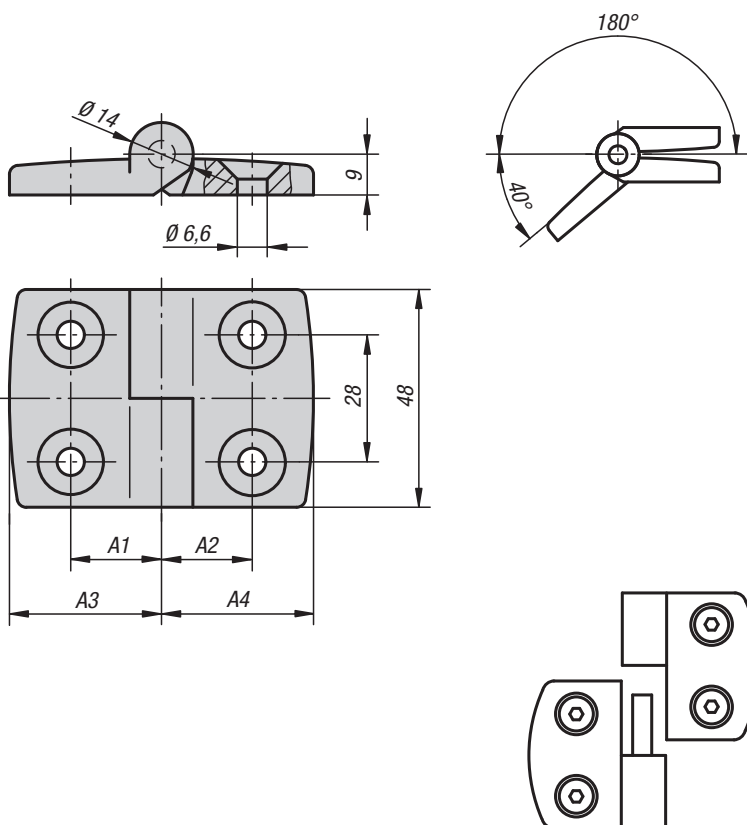


KIPP Hinges in die cast zinc with clamping function

Order No.	A1	A2	Guide tabs for slot	Load bearing capacity N
K0442.40232300	22,5	22,5	-	2500
K0442.40232308	22,5	22,5	8	2500
K0442.40232310	22,5	22,5	10	2500
K0442.40232500	22,5	25	-	2500
K0442.40232508	22,5	25	8	2500
K0442.40232510	22,5	25	10	2500
K0442.45252500	25	25	-	2500
K0442.45252508	25	25	8	2500
K0442.45252510	25	25	10	2500

Hinges

in aluminium, detachable, left



Material:

Pressure-cast aluminium;
axle in stainless steel

Surface finish:

Hinge matt galvanized;
axle natural finish

Sample order:

K0579.1251515

Note:

Hinges for surface elements and aluminium profiles.

On request:

Hinges with guide tabs (slot 5, 6, 8, 10, 12 and 14) for aluminium profiles.

Combinations of different wing lengths.

KIPP Hinges in aluminium, detachable, left

Order No.	A1	A2	A3	A4	Load bearing capacity N	Approx. weight kg
K0579.1251515	15	15	26	26	1500	0,056
K0579.1301818	17,5	17,5	29,5	29,5	1500	0,064
K0579.1352020	20	20	36	36	1500	0,072
K0579.1402323	22,5	22,5	38,5	38,5	1500	0,068
K0579.1452525	25	25	43,5	43,5	1500	0,07
K0579.1502828	27,5	27,5	48,5	48,5	1500	0,078
K0579.1603333	32,5	32,5	57,5	57,5	1500	0,088

Hinges

in aluminium, detachable, right



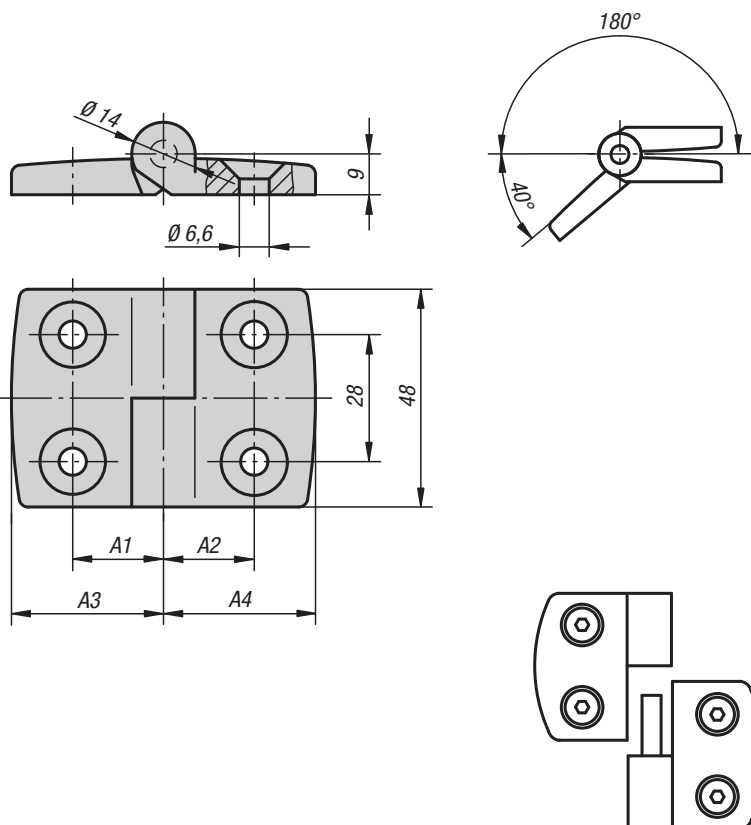
Material:
Pressure-cast aluminium;
axle in stainless steel

Surface finish:
Hinge matt galvanized;
axle natural finish

Sample order:
K0579.2251515

Note:
Hinges for surface elements and aluminium profiles.

On request:
Hinges with guide tabs (slot 5, 6, 8, 10, 12 and 14) for aluminium profiles.
Combinations of different wing lengths.



KIPP Hinges in aluminium, detachable, right

Order No.	A1	A2	A3	A4	Load bearing capacity N	Approx. weight kg
K0579.2251515	15	15	26	26	1500	0,056
K0579.2301818	17,5	17,5	29,5	29,5	1500	0,064
K0579.2352020	20	20	36	36	1500	0,072
K0579.2402323	22,5	22,5	38,5	38,5	1500	0,068
K0579.2452525	25	25	43,5	43,5	1500	0,07
K0579.2502828	27,5	27,5	48,5	48,5	1500	0,078
K0579.2603333	32,5	32,5	57,5	57,5	1500	0,088

Hinges

in aluminium



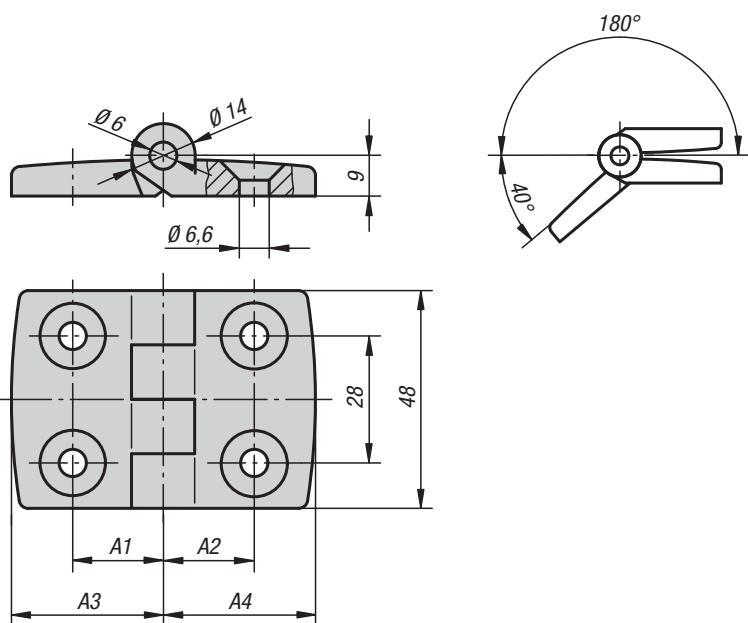
Material:
Pressure-cast aluminium;
axle in stainless steel

Surface finish:
Hinge matt galvanized;
axle natural finish

Sample order:
K0580.251515

Note:
Hinges for surface elements and aluminium profiles,
not detachable.

On request:
Hinges with guide tabs (slot 5, 6, 8, 10, 12 and 14) for
aluminium profiles.
Combinations of different wing lengths.



KIPP Hinges in aluminium

Order No.	A1	A2	A3	A4	Load bearing capacity N	Approx. weight kg
K0580.251515	15	15	26	26	2500	0,057
K0580.301818	17,5	17,5	29,5	29,5	2500	0,065
K0580.352020	20	20	36	36	2500	0,073
K0580.402323	22,5	22,5	38,5	38,5	2500	0,069
K0580.452525	25	25	43,5	43,5	2500	0,073
K0580.502828	27,5	27,5	48,5	48,5	2500	0,079
K0580.603333	32,5	32,5	57,5	57,5	2500	0,089